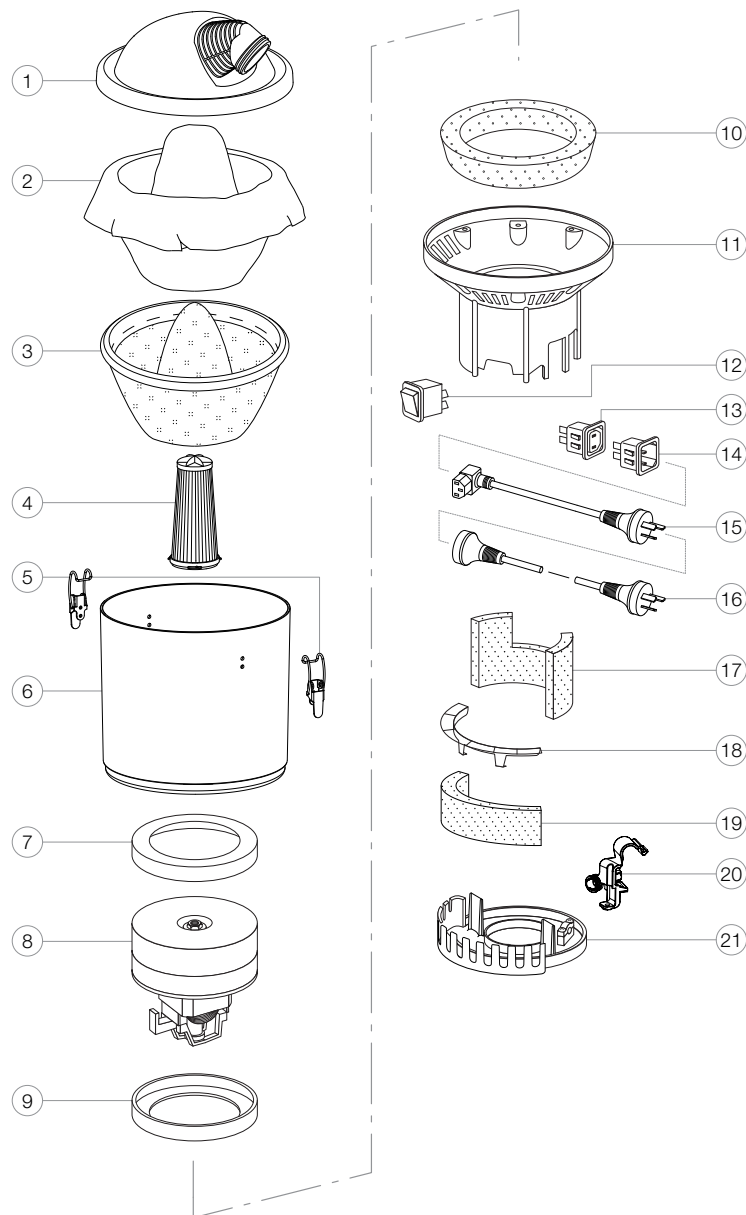


Parts Profile

Superpro 700 - 01PR700VB



Spare Parts

Quote these part numbers when ordering spare parts.

No.	Part Name	Part No.
1.	Clear lid 5L	LID001
2.	Disposable paper dust bag 5L (10pk)	DUB019
3.	Reusable SMS cone dust bag 5L (grey)	DUB003
4.	HEPA rated cone filter	FIL001
5.	Aluminium latch	LAT001
6.	Superpro 700 canister	CAN001
7.	Rubber motor gasket	GAS007
8.	1000W Two-stage flow through motor	MOT001
9.	Rubber motor gasket	GAS007
10.	Noise insulation foam 180mm	INS008
11.	Power housing outlet C17/C14	INH008
12.	Rocking switch on/off	SWI001
13.	Panel mount power outlet C17	PWO001
14.	Panel mount power inlet C14	PWI002
15.	C-13 Short lead	SHL001
16.	18m extension cord	EXL001
17.	Insulation motor foam 180mm	INS009
18.	Front motor filter cage (black)	CAG001
19.	Exhaust foam filter	FIL004
20.	Short-lead holder clip	HOL004
21.	Bottom cap 175mm	BOT001

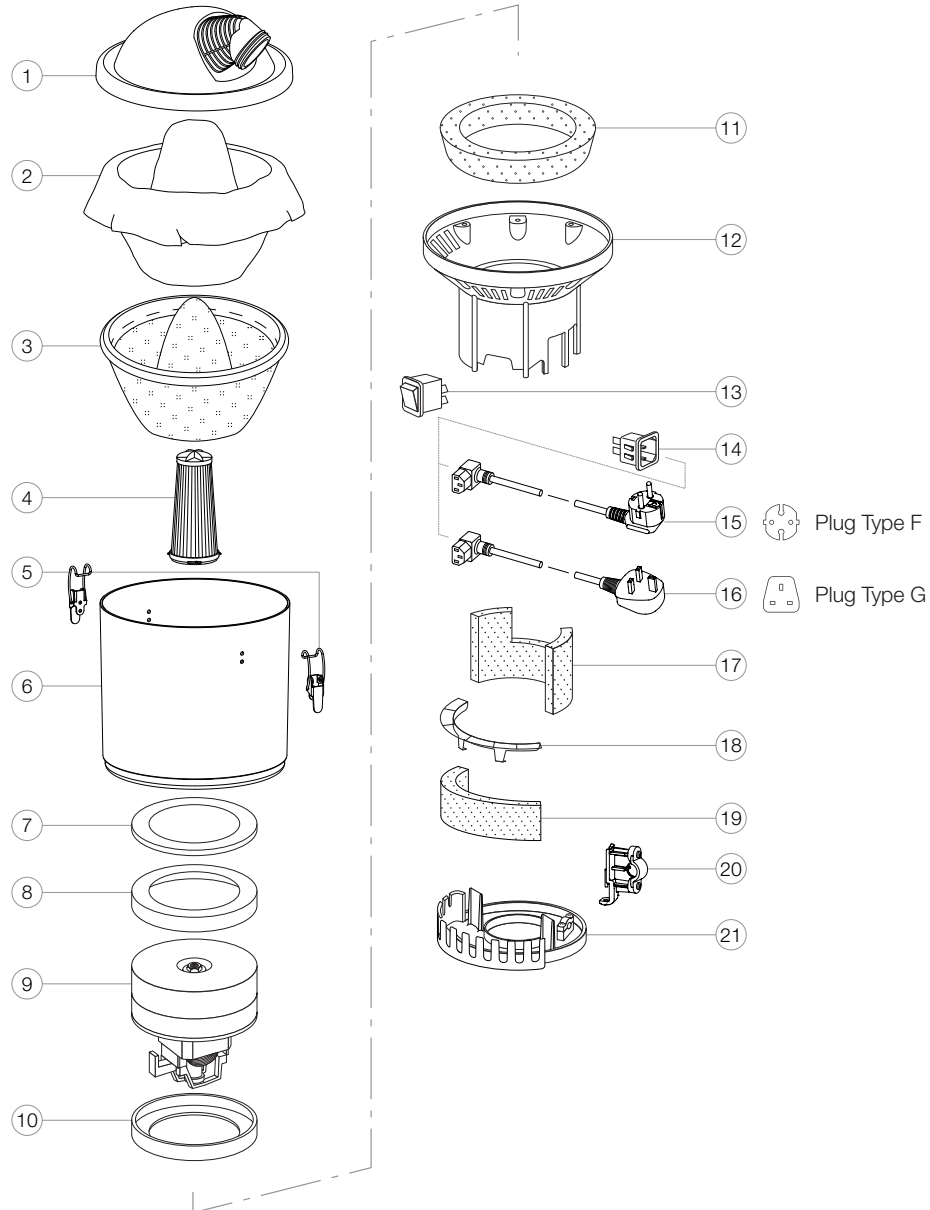
Specifications

Model	Superpro 700
Model No	01PR700VB
Volts/Frequency	220-240V AC 50Hz
Motor	1000W 2-stage flow through
Noise Level (at 1.5m)	67dB(A)
Filtration	4 stage, HEPA rated Hypercone™ filter
Volumetric Airflow (Max.)	45L/s
Capacity	5L
Weight (excluding power cord assembly and hose)	5.2kg
Power Source	Mains, 18m power cord
Vibration Level	≤2.5m/s ²

*Technical specifications, part numbers and part designs are subject to change without notice.

Parts Profile

Superpro 700 EU/UK - 02PR700VB



Spare Parts

Quote these part numbers when ordering spare parts.

No.	Part Name	Part No.
1.	Clear lid 5L	LID001
2.	Disposable paper dust bag 5L (10pk)	DUB019
3.	Reusable SMS cone dust bag 5L (grey)	DUB003
4.	HEPA rated cone filter	FIL001
5.	Aluminium latch	LAT001
6.	Superpro 700 canister	CAN001
7.	Rubber motor seal 145mm	SEA002
8.	Rubber motor gasket	GAS007
9.	Motor - Two Stage - Flow Through - 230V - 900W	MOT012
10.	Rubber motor gasket	GAS007
11.	Noise insulation foam 180mm	INS008
12.	Power housing outlet C17/C14	INH008
13.	Rocking switch on/off	SWI001
14.	Panel mount power inlet C14	PWI002
15.	Power cord 18m (3C plug type E/F)	PWC006
16.	Power cord 18m (3C plug type G)	PWC007
17.	Insulation motor foam 180mm	INS009
18.	Front motor filter cage (black)	CAG001
19.	Exhaust foam filter	FIL004
20.	Lead holder assembly	HOL029
21.	Bottom cap 175mm	BOT001

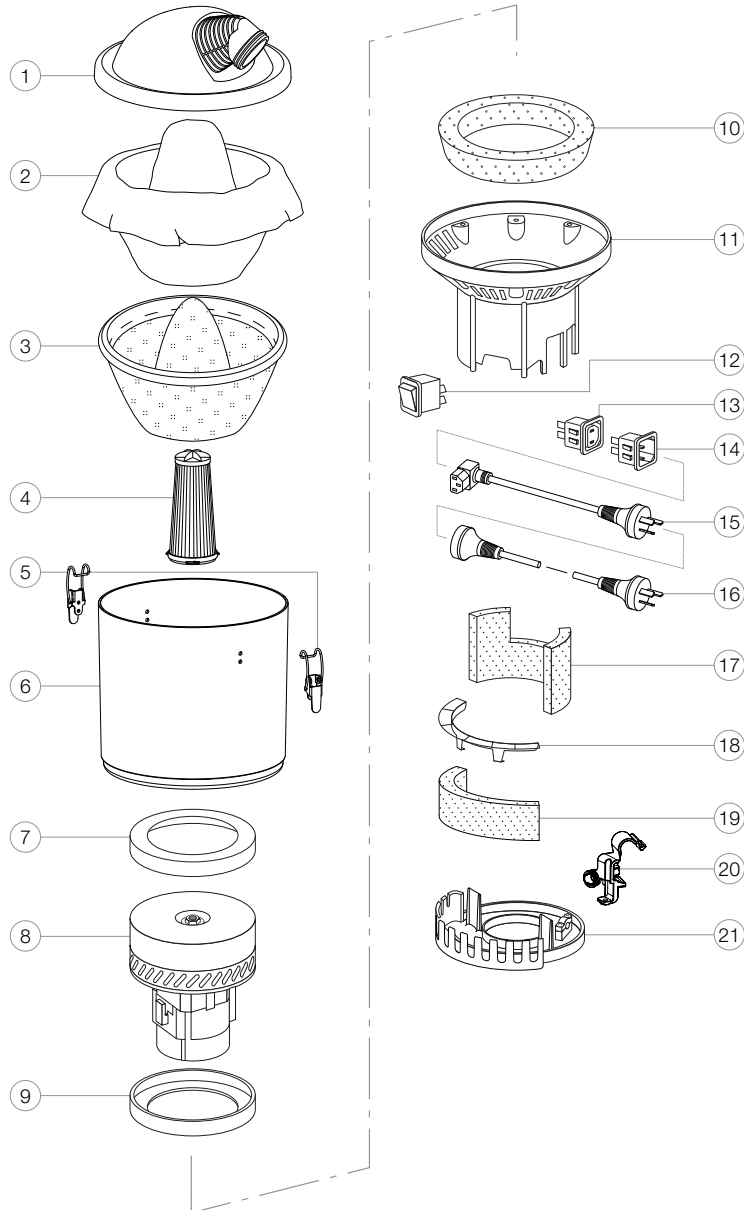
Specifications

Model	Superpro 700
Model No	02PR700VB
Volts/Frequency	220-230V AC 50/60Hz
Motor	900W 2-stage flow through
Noise Level (at 1.5m)	70.2dB(A)
Filtration	4 stage, HEPA rated Hypercone™ filter
Volumetric Airflow (Max.)	53L/s
Capacity	5L
Weight (excluding power cord assembly and hose)	5.2kg
Power Source	Mains, 18m power cord
Vibration Level	≤2.5m/s ²

*Technical specifications, part numbers and part designs are subject to change without notice.

Parts Profile

Superpro 700 duo - 01DU700VB



Spare Parts

Quote these part numbers when ordering spare parts.

No.	Part Name	Part No.
1.	Clear lid 5L	LID001
2.	Disposable paper dust bag 5L (10pk)	DUB019
3.	Reusable SMS cone dust bag 5L (grey)	DUB003
4.	HEPA rated cone filter	FIL001
5.	Aluminium latch	LAT001
6.	Superpro 700 canister	CAN001
7.	Rubber motor gasket	GAS007
8.	1000W Two-stage bypass motor	MOT003
9.	Rubber motor gasket	GAS007
10.	Noise insulation foam strip 180mm	INS004
11.	Power housing outlet C17/C14	INH008
12.	Rocking switch on/off	SWI001
13.	Panel mount power outlet C17	PWO001
14.	Panel mount power inlet C14	PWI002
15.	C-13 Short lead	SHL001
16.	18m extension cord	EXL001
17.	Insulation motor foam 180mm	INS009
18.	Front motor filter cage (black)	CAG001
19.	Exhaust foam filter	FIL004
20.	Short-lead holder clip	HOL004
21.	Bottom cap 175mm	BOT001

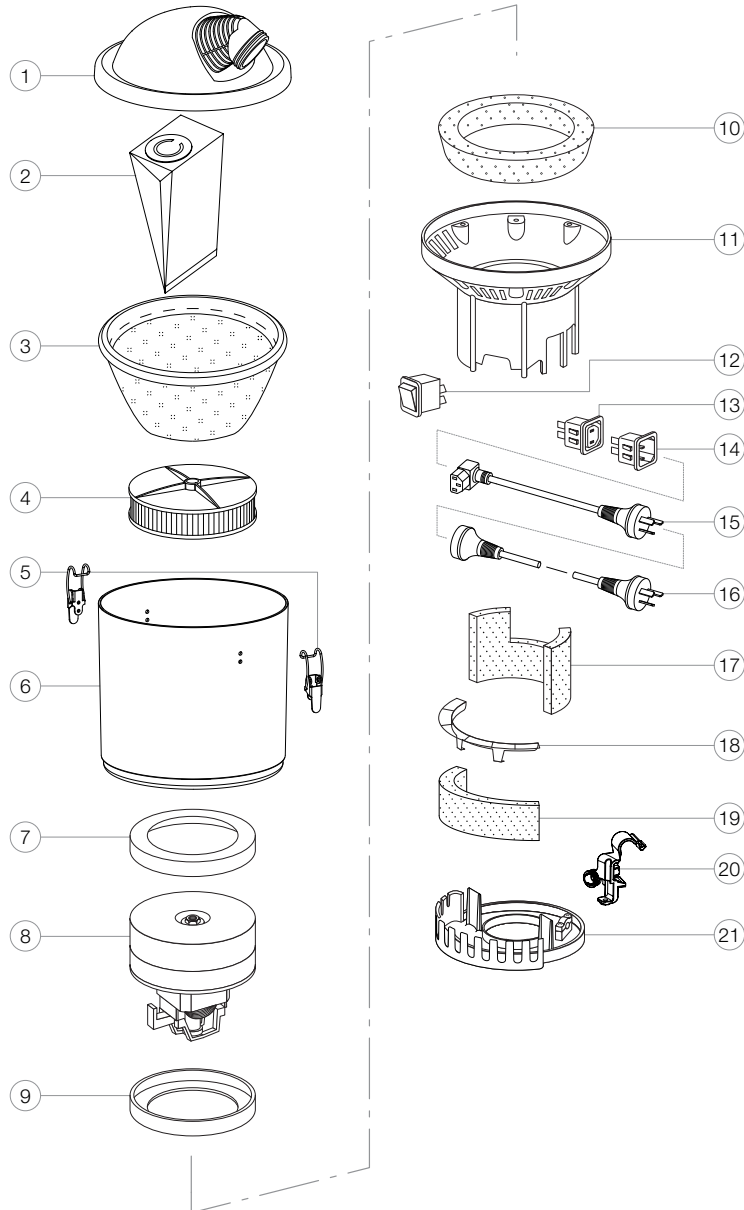
Specifications

Model	Superpro duo 700
Model No	01DU700VB
Volts/Frequency	220-240V AC 50Hz
Motor	1000W 2-stage by-pass
Noise Level (at 1.5m)	74dB(A)
Filtration	4 stage, HEPA rated Hypercone™ filter
Volumetric Airflow (Max.)	45L/s
Capacity	5L
Weight (excluding power cord assembly and hose)	5.3kg
Power Source	Mains, 18m power cord
Vibration Level	≤2.5m/s ²

*Technical specifications, part numbers and part designs are subject to change without notice.

Parts Profile

Superpro 700 micron - 01MI700VB



Spare Parts

Quote these part numbers when ordering spare parts.

No.	Part Name	Part No.
1.	Clear lid 5L	LID001
2.	Disposable sealed paper dust bag 5L (10pk)	DUB029
3.	Reusable SMS dust bag 5L (grey)	DUB007
4.	HEPA rated high grade filter	FIL003
5.	Aluminium latch	LAT001
6.	Superpro 700 canister	CAN001
7.	Rubber motor gasket	GAS007
8.	1000W Two-stage flow through motor	MOT001
9.	Rubber motor gasket	GAS007
10.	Noise insulation foam 180mm	INS008
11.	Power housing outlet C17/C14	INH008
12.	Rocking switch on/off	SWI001
13.	Panel mount power outlet C17	PWO001
14.	Panel mount power inlet C14	PWI002
15.	C-13 Short lead	SHL001
16.	18m extension cord	EXL001
17.	Insulation motor foam 180mm	INS009
18.	Front motor filter cage (black)	CAG001
19.	Exhaust foam filter	FIL004
20.	Short-lead holder clip	HOL004
21.	Bottom cap 175mm	BOT001

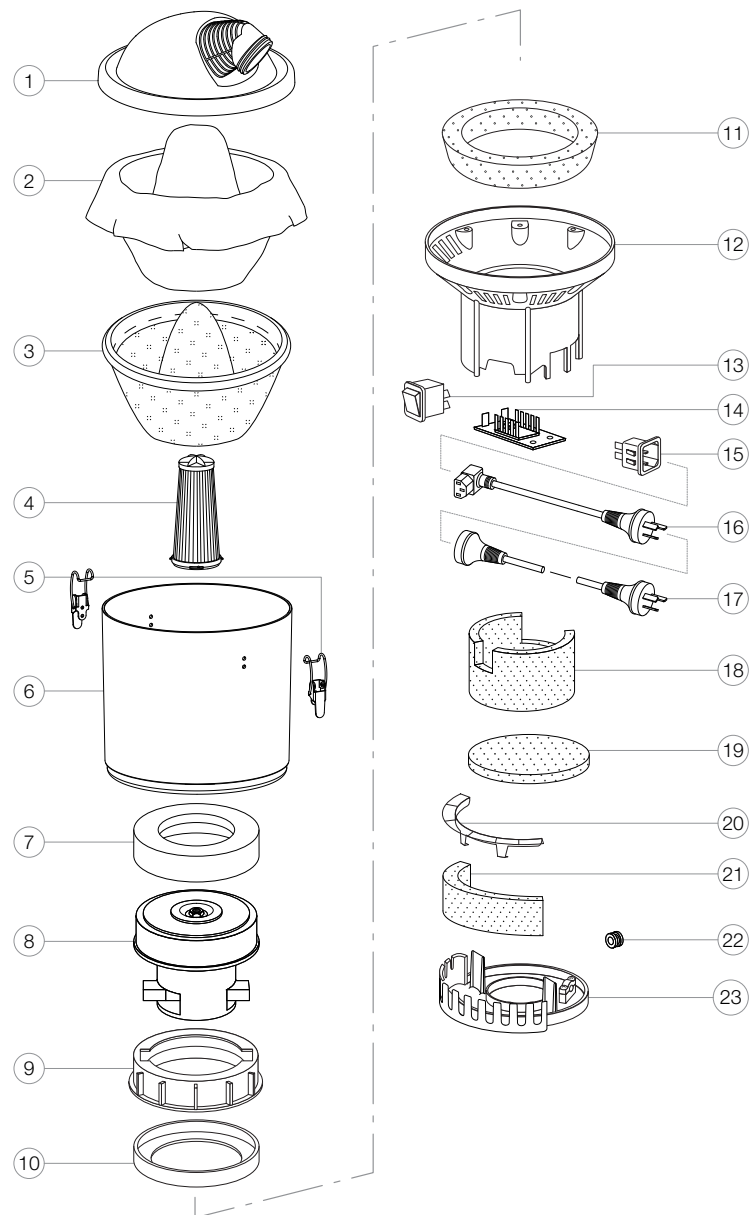
Specifications

Model	Superpro micron 700
Model No	01MI700VB
Volts/Frequency	220-240V AC 50Hz
Motor	1000W 2-stage flow through
Noise Level (at 1.5m)	65dB(A)
Filtration	4 stage, HEPA rated high-grade filter
Volumetric Airflow (Max.)	40L/s
Capacity	5L
Weight (excluding power cord assembly and hose)	5.3kg
Power Source	Mains, 18m power cord
Vibration Level	≤2.5m/s ²

*Technical specifications, part numbers and part designs are subject to change without notice.

Parts Profile

Superpro 700 wispa - 01WI700VB



Spare Parts

Quote these part numbers when ordering spare parts.

No.	Part Name	Part No.
1.	Clear lid 5L	LID001
2.	Disposable paper dust bag 5L (10pk)	DUB019
3.	Reusable SMS cone dust bag 5L (grey)	DUB003
4.	HEPA rated cone filter	FIL001
5.	Aluminium latch	LAT001
6.	Superpro 700 canister	CAN001
7.	Foam gasket motor (yellow)	GAS010
8.	1300W Single-stage flow through motor	MOT005
9.	Rubber motor spacer 145mm	SPA002
10.	Rubber motor gasket	GAS007
11.	Noise insulation foam strip 180mm	INS004
12.	Housing outlet C16	INH006
13.	Hi-low-off switch	SWI002
14.	Single speed PCB DC	PCB002
15.	Panel mount power inlet C16	PWI001
16.	3C Hard-wired short lead	SHL006
17.	18m extension cord	EXL001
18.	Noise insulation foam 430mm	INS005
19.	Noise insulation foam 165mm	INS006
20.	Front motor filter cage (black)	CAG001
21.	Intermediate housing power outlet C17	INS007
22.	Blank cap 17mm	CAP006
23.	Bottom cap 175mm	BOT001

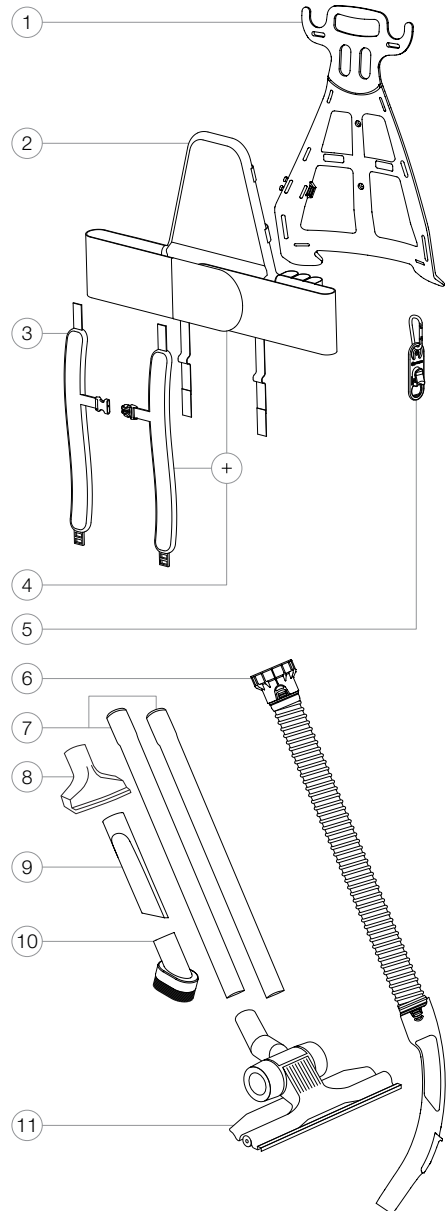
Specifications

Model	Superpro wispa 700
Model No	01WI700VB
Volts/Frequency	220-240V AC 50Hz
Motor	1300W single-stage flow through
Noise Level (at 1.5m)	66dB(A), 62dB(A) (wispa mode)
Filtration	4 stage, HEPA rated Hypercone™ filter
Volumetric Airflow (Max.)	50L/s, 39L/s (wispa mode)
Capacity	5L
Weight (excluding power cord assembly and hose)	4.7kg
Power Source	Mains, 18m power cord, (IEC C15)
Vibration Level	≤2.5m/s ²

*Technical specifications, part numbers and part designs are subject to change without notice.

Parts Profile

Superpro series



Spare Parts

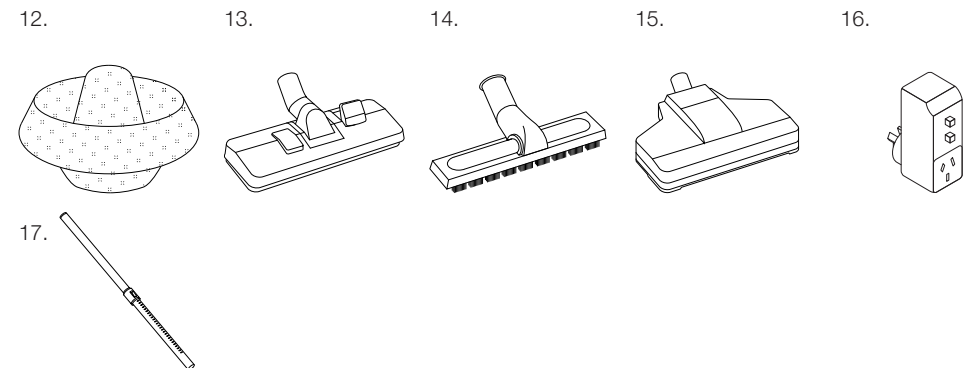
Quote these part numbers when ordering spare parts.

No.	Part Name	Part No.
1.	Backpack frame	FRA001
2.	Harness back and hip band	HAR001
3.	Padded shoulder strap	STP003
4.	Harness kit	HRT001
5.	Cord restraint	COR004
6.	Screw fit hose 1.2m	HOA014
7.	Chrome two piece wand	WND002
8.	Upholstery tool 32mm	ACC003
9.	Crevice tool 32mm	ACC002
10.	Dusting brush 32mm	ACC001
11.	All purpose floor tool 285mm	FLT001

Optional Extras

Quote the following part numbers when ordering spare parts for all models.

No.	Part Name	Part No.
12.	Disposable SMS dust bag 5L (10pk)	DUB028
13.	Combination floor tool 270mm	FLT003
14.	Hard surface floor tool 300mm	FLT005
15.	Turbo head floor tool 280mm	FLT007
16.	Plug-in RCD	RCD003
17.	Chrome extendable wand 950mm	WND001



*Technical specifications, part numbers and part designs are subject to change without notice.