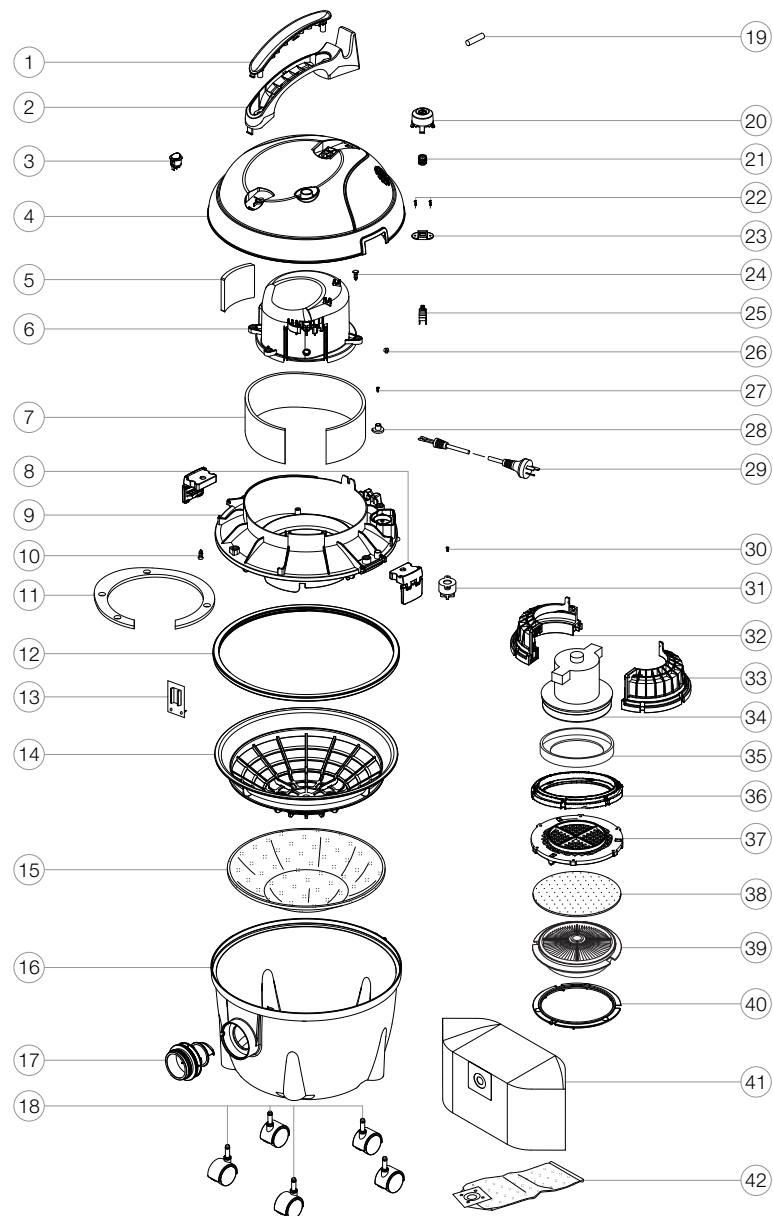


Parts Profile

Glide 300 - 01GL300VC / Glide wispa 300 - 01GW300VC



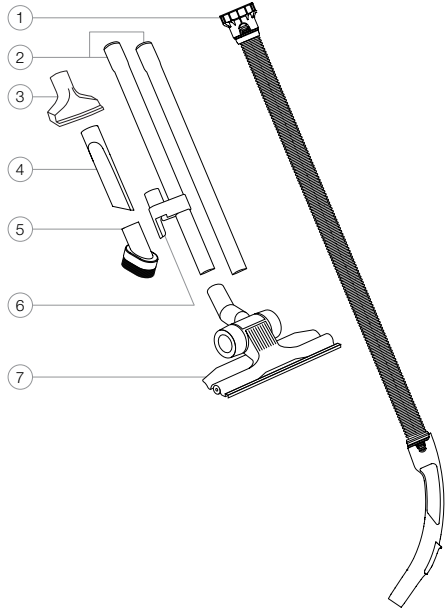
Spare Parts

Quote these part numbers when ordering spare parts.

No.	Part Name	Part No.
1.	Handle cover 220mm	COV001
2.	Plastic handle 280mm	HAN002
3.	Hi-low rocking switch (Glide wispa 300 only)	SWI004
4.	Top cover 380mm	COV002
5.	Exhaust filter	FIL006
6.	Motor holder 185mm	HOL003
7.	Motor insulation 630mm	INS002
8.	Plastic latch 50mm	LAT002
9.	Motor holder 350mm	HOL002
10.	Aluminium screw 5x22mm	SCR001
11.	Motor insulation 150mm	INS003
12.	Rubber filter seal 350mm	SEA001
13.	Two speed PCB AC (Glide wispa 300 only)	PCB002
14.	Plastic filter retainer 340mm	RET001
15.	Synthetic filter cover	FIL008
16.	Glide 300 canister	CAN008
17.	Hose inlet 32mm	HOI001
18.	Plastic castor wheel	WHL004
19.	Rubber grommet 50mm	GRO005
20.	On/off button casing	BUT002
21.	Steel spring 15mm x 40mm	SPR001
22.	Aluminium screw 3x9mm	SCR002
23.	Switch bracket 40mm	BRA007
24.	Aluminium screw 5x15mm	SCR003
25.	Push button switch connector	SWI003
26.	Rubber grommet	GRO002
27.	Aluminium screw 3x10mm	SCR004
28.	Cable clamp 20mm	CLA003
29.	Hard-wired power cord with grommet 18m	PWC001
30.	Aluminium screw 1x7mm	SCR005
31.	Plastic spring loaded valve 32mm	VAL002
32.	Motor bracket (left-hand)	BRA005
33.	Motor bracket (right-hand)	BRA006
34.	1300W Single-stage flow through motor	MOT005
35.	Rubber gasket motor 130mm	GAS005
36.	Rubber gasket motor 180mm	GAS006
37.	Motor filter cage grid	CAG007
38.	Motor filter	FIL007
39.	HEPA rated filter (Glide wispa 300 only)	FIL005
40.	Motor filter cage	CAG006
41.	Disposable sealed paper dust bag 15L (10pk)	DUB031
42.	Reusable sealed SMS dust bag 15L (grey)	DUB009

Parts Profile

Glide 300 - 01GL300VC / Glide wispa 300 - 01GW300VC



Specifications

Model Name	Glide 300	Glide wispa 300
Model No	01GL300VC	01GW300VC
Volts/Frequency	220-240V AC 50Hz	220-240V AC 50Hz
Motor	1300W single-stage flow through	1300W single-stage flow through
Noise Level (at 1.5m)	64dB(A)	64dB(A), 60dB(A) (wispa mode)
Filtration	3 stage	3 stage, HEPA rated high-grade filter
Volumetric Airflow (Max.)	52L/s	52L/s, 41L/s (wispa mode)
Capacity	15L	15L
Weight (excluding power cord assembly and hose)	5kg	5.1kg
Power Source	Mains, 18m cord, hardwired	Mains, 18m cord, hardwired
Vibration Level	≤2.5m/s ²	≤2.5m/s ²

Spare Parts

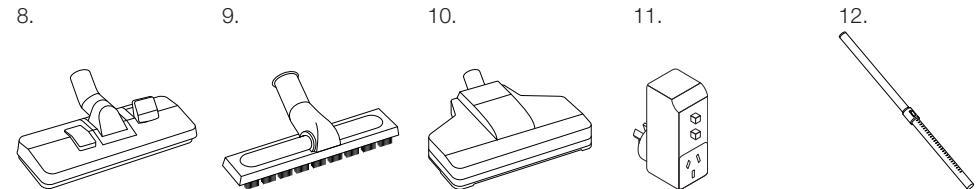
Quote these part numbers when ordering spare parts.

No.	Part Name	Part No.
1.	Screw fit hose 2m	HOA013
2.	Chrome two piece wand	WND002
3.	Upholstery tool 32mm	ACC003
4.	Crevice tool 32mm	ACC002
5.	Dusting brush 32mm	ACC001
6.	Wand hook 32mm	HOK001
7.	All purpose floor tool 285mm	FLT001

Optional Extras

Quote the following part numbers when ordering spare parts for all models.

No.	Part Name	Price (excluding GST)	Part No.
8.	Combination floor tool 270mm	19.04	FLT003
9.	Hard surface floor tool 300mm	17.23	FLT005
10.	Turbo head floor tool 280mm	54.55	FLT007
11.	Plug-in RCD	36.99	RCD003
12.	Chrome extendable wand 950mm	13.97	WND001



*Technical specifications, part numbers and part designs are subject to change without notice.