



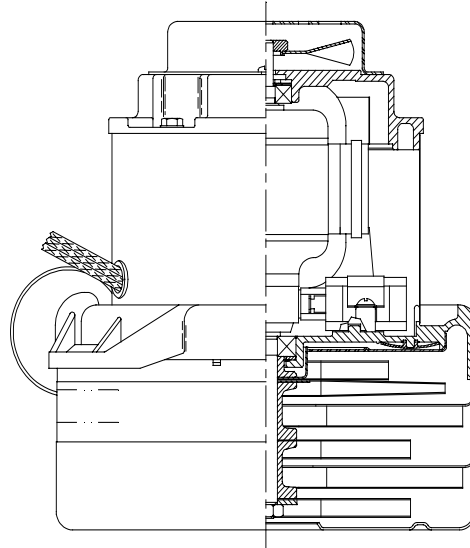
Model: 116136-00

DESCRIPTION

- Three stage
- 240 volts
- 7.2" / 183 mm diameter
- Double ball bearings
- Single speed
- Tangential bypass discharge
- Aluminum fan end bracket
- Aluminum top bracket

DESIGN APPLICATION

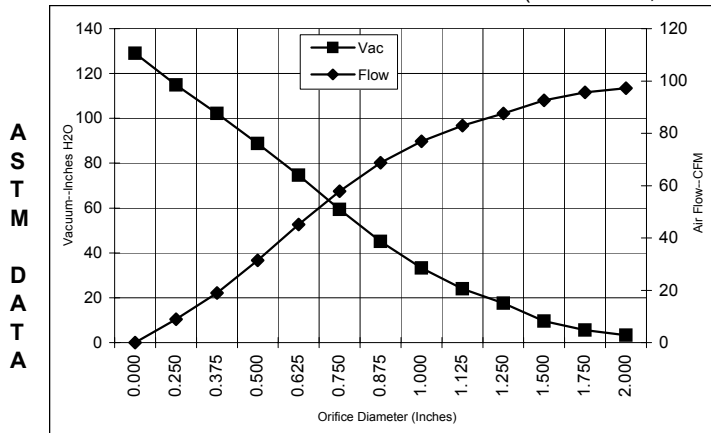
- Equipment operating in environments requiring separation of working air from motor ventilating air
- Designed to handle clean, dry, filtered air only



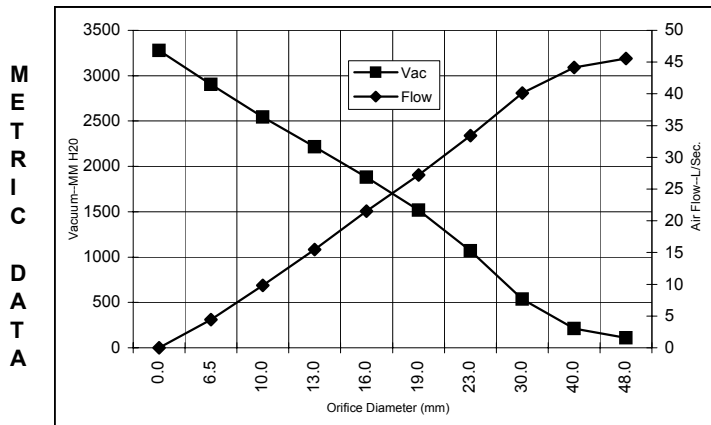
SPECIAL FEATURES

- Suitable for 240 volt AC operation, 50/60 Hz
- UL recognized, category PRGY2 (E47185)
- Provision for grounding
- 10 mm shaft and bearing system
- Epoxy painted fan case
- Patented air seal bearing construction. U.S. Patent #4,088,424
- The Lamb Electric vacuum motor line offers a wide range of performance levels to meet design needs

TYPICAL MOTOR PERFORMANCE.* (At 240 volts, 60Hz, test data is corrected to standard conditions of 29.92 Hg, 68° F.)



Orifice (Inches)	Amps	Watts (In)	RPM	Vac (In.H2O)	Flow (CFM)	Air Watts
2.000	6.9	1454	16769	3.3	97.3	38
1.750	6.9	1463	16738	5.5	95.6	61
1.500	6.9	1467	16690	9.5	92.6	103
1.250	7.0	1474	16683	17.6	87.6	181
1.125	6.9	1462	16659	24.0	82.9	234
1.000	6.9	1461	16673	33.2	77.0	301
0.875	6.9	1451	16734	45.1	68.7	364
0.750	6.8	1438	16926	59.4	57.9	404
0.625	6.5	1386	17228	74.7	45.1	396
0.500	6.1	1299	17938	88.7	31.4	327
0.375	5.6	1198	18850	102.2	19.0	228
0.250	5.1	1103	19876	114.9	8.9	120
0.000	4.7	1019	20891	129.0	0.0	0



Orifice (mm)	Amps	Watts (In)	RPM	Vac (mm H2O)	Flow (L/Sec)	Air Watts
48.0	6.9	1458	16755	108	45.6	48
40.0	6.9	1466	16704	211	44.1	90
30.0	6.9	1467	16670	536	40.1	210
23.0	6.9	1454	16719	1070	33.4	348
19.0	6.8	1437	16932	1517	27.2	404
16.0	6.5	1388	17216	1882	21.5	396
13.0	6.1	1308	17867	2217	15.5	334
10.0	5.7	1213	18713	2544	9.8	243
6.5	5.1	1108	19825	2902	4.4	125
0.0	4.7	1019	20891	3277	0.0	0

Note: Metric performance data is calculated from the ASTM data above.

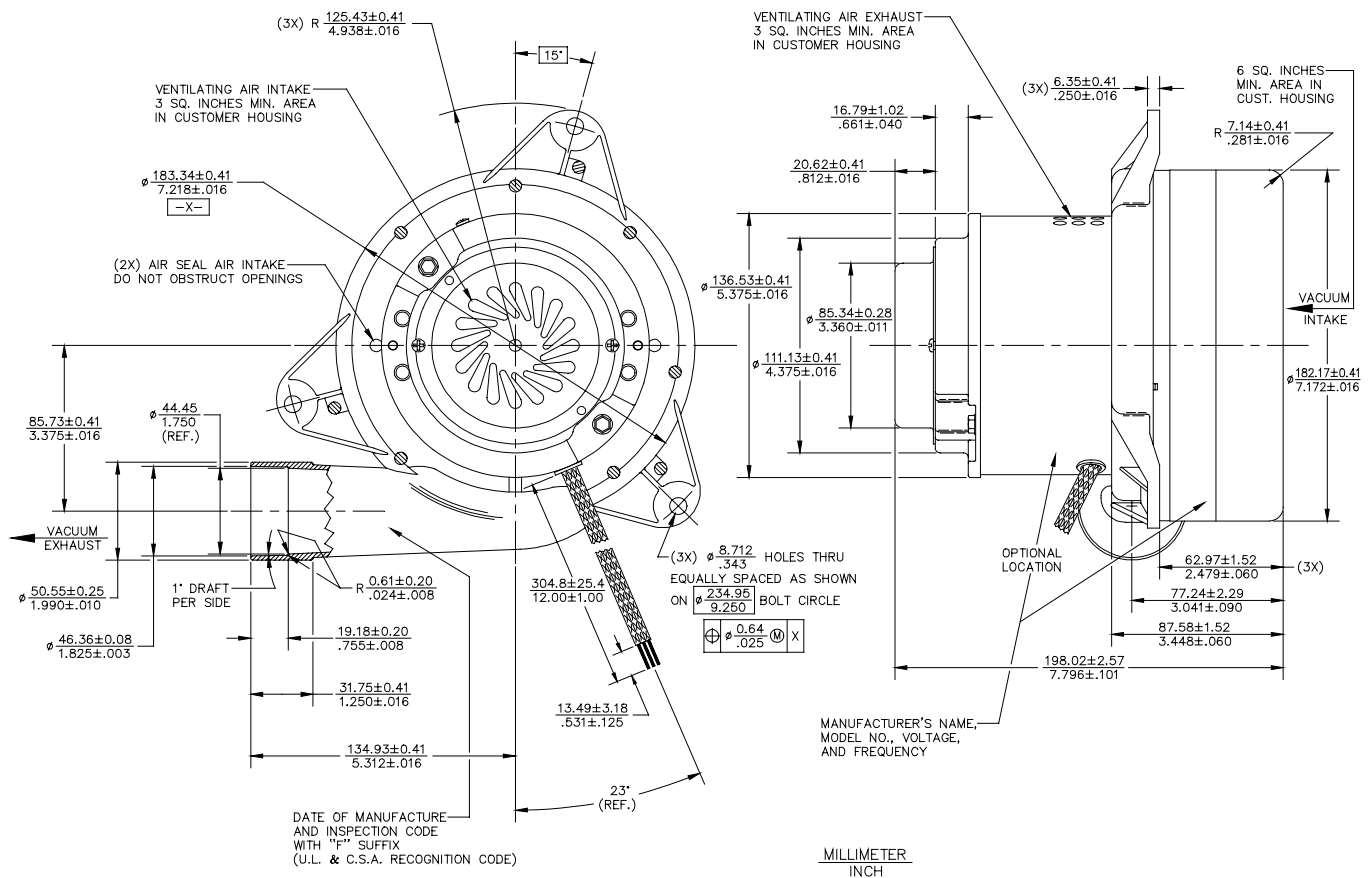
* Data represents performance of a typical motor sampled from a large production quantity. Individual motor data may vary due to normal manufacturing variations.

Test Specs:	240 volts	Minimum Sealed Vacuum:	118.0"	ORIFICE:	7/8"	Minimum Vacuum:	39.0"	Maximum Watts:	1630
-------------	-----------	------------------------	--------	----------	------	-----------------	-------	----------------	------

DIMENSIONS

NOTES:

- LEADS: POWER; #16 GA., ONE BLACK, ONE WHITE.
GROUND; #18 GA., GREEN WITH YELLOW STRIPE.



IMPORTANT NOTE: Pictorial and dimensional data are subject to change without notice. Contact factory for current revision levels.

WARNING - When using AMETEK Lamb Electric bypass motors in machines that come in contact with foam, liquid (including water), or other foreign substances, the machine must be designed and constructed to prevent those substances from reaching the fan system, motor housing, and electrical components. Lamb Electric vacuum motors other than hazardous duty models should not be applied in machines that come in contact with dry chemicals or other volatile materials. Failure to observe these precautions could cause flashing (depending on volatility) or electrical shock which could result in property damage and severe bodily injury, including death in extreme cases. All applications incorporating Lamb Electric motors should be submitted to appropriate organizations or agencies for testing specifically related to the safety of your equipment.

