



INSTRUCTION FOR INSTALLATION AND USE - GARANTY

You have just acquired this radiant radiator DIAMANT/EMERAUDE
And we thank you for your choice.
This device has been studied, designed and realized with care,
In order to give you full satisfaction.

Summary

I. Markings & Indications	2
II. General Instructions	3
Safety Instructions	3
Precautions for use	5
III. Installation of radiator DIAMANT/EMERAUDE	6
Composition	6
Tools required for Installation	6
Installation and fitting	7
Reminder of drilling centers	7
Selection of radiator location	7
Attaching the radiator to the wall	8
Electrical connexion	9
IV. Technical characteristics of DIAMANT/EMERAUDE	10
V. Diagnostic Help	11
VI. Guarantee	12

I. Markings and indications

DIAMANT/DIAMANT/EMERAUDE 400 x 1200 cm / 16' x 48' reference :			
THERMAL POWER			
Nominal Thermal Power	P nom	500	W
Minimal Thermal Power (indicative)	P min	450	W
Maximal Thermal Power (constant)	P max	525	W
AUXILIARY ELECTRICAL CONSUMPTION			
At nominal thermal power	C el	500	W/h
At minimal thermal power	C el min	450	W/h
In Sleep mode	C el veil	0.5	W/h

DIAMANT/DIAMANT/EMERAUDE 400 x 1800 / 16' x 72' reference :			
THERMAL POWER			
Nominal Thermal Power	P nom	750	W
Minimal Thermal Power (indicative)	P min	675	W
Maximal Thermal Power (constant)	P max	787.5	W
AUXILIARY ELECTRICAL CONSUMPTION			
At nominal thermal power	C el	750	W/h
At minimal thermal power	C el min	675	W/h
In Sleep mode	C el veil	0.5	W/h

DIAMANT/DIAMANT/EMERAUDE 600 x 1200 / 24' x 48' all references			
THERMAL POWER			
Nominal Thermal Power	P nom	750	W
Minimal Thermal Power (indicative)	P min	675	W
Maximal Thermal Power (constant)	P max	787.5	W
AUXILIARY ELECTRICAL CONSUMPTION			
At nominal thermal power	C el	750	W/h
At minimal thermal power	C el min	675	W/h
In Sleep mode	C el veil	0.5	W/h

DIAMANT/DIAMANT/EMERAUDE 600 x 1800 / 24' x 48' all references			
THERMAL POWER			
Nominal Thermal Power	P nom	1200	W
Minimal Thermal Power (indicative)	P min	1080	W
Maximal Thermal Power (constant)	P max	1260	W
AUXILIARY ELECTRICAL CONSUMPTION			
At nominal thermal power	C el	1200	W/h
At minimal thermal power	C el min	1080	W/h
In Sleep mode	C el veil	0.5	W/h

ASSOCIATED EQUIPMENTS	
Charge electronic thermal control with information receipt of room temperature and /or exterior temperature	Yes
Kind of thermal power control of room temperature (select one kind)	
Electronical control of the room temperature and weekly timer	Yes
Other control options (select one or more options)	
Control through contrôle via fil pilote (FP)	Yes
Room temperature control with open window detection	Yes
Activation adaptative control	Yes

II. General Instructions

Before installing and using your DIAMANT/EMERAUDE radiator, please read these instructions carefully and observe the following instructions :

SAFETY INSTRUCTIONS

-The electrical connection must be carried out by a qualified electrician. The installation must be protected by a 25 or 30 mA differential circuit-breaker (NFC15-100 electrical safety standard). The power supply outage must be of omnipolar type (phase and neutral cut-off).

The radiator DIAMANT/EMERAUDE must be connected to the power supply (120V AC 60Hz) by an electrical circuit protected by an overcurrent circuit breaker 10A placed in an electrical distribution board.

A means of disconnection shall be provided in the fixed pipes in accordance with the installation rules.

If the power cable is damaged, it must be replaced by a qualified electrician (cable type SJOOW 14/2).

The system complies with current standards (see technical data).

The radiator DIAMANT/EMERAUDE is only suitable for indoor use. It is suitable for all the rooms of the housing, including bathrooms thanks to a suitable protection (Double insulation - Class II).

For a bathroom installation, observe the zone of use in compliance with the protection index IP44: zones 2 and more

	Bath Volume	Shower with receiver Volume	Shower without receiver Volume
	Volume 1	Volume 1	Volume 1
	Volume 2	Volume 2	Volume 2
IP PROTECTION	IP X4 minimum	IP X4 minimum	IP X4 minimum
ACCESSORIES	No Plug	Plug supplied by safety transformer Plug protected by 30mA RCD	Plug supplied by safety transformer Plug protected by 30mA RCD
MATERIAL	Low voltage (12 to 30V)	Class II and RCD 30mA or Low voltage Plug protected by 30mA RCD	Class II and RCD 30mA or Low voltage Plug protected by 30mA RCD

The heater should not be placed directly below a power outlet.

Thoroughly test the radiator before installation and ensure that no hot spots develop.

Only use the radiator DIAMANT/EMERAUDE for the recommended applications and with the DIAMANT/EMERAUDE accessories offered (bars, regulation) for an effective guarantee.

Do not attempt to disassemble the unit (loss of warranty).

This device is not intended for use by persons (including children) with reduced physical, sensory or mental capacities, or persons without experience or knowledge, unless they have been By a person responsible for their safety, supervision or prior instructions relating to the use of the appliance and that the risks incurred have been apprehended. The radiator DIAMANT/EMERAUDE is a certified device for its performance and safety.

Caution : As with any heating appliance, some parts may become very hot and cause burns in case of prolonged contact. Particular attention must be paid to the presence of children and vulnerable persons.

PRECAUTIONS FOR USE

DIAMANT/EMERAUDE is a glass design device, so it is sensitive to shocks, handle it with care.

The radiator DIAMANT/EMERAUDE must not be used if the glass panels are damaged or the radiator has impact marks.

DIAMANT/EMERAUDE is a radiant radiator: do not install any obstacle within 20ft of its emitting surface.

The emitting surface must face the workpiece and the objects to be heated.

Do not cover the heating facade to ensure radiation efficiency and avoid accidental overheating.

Cut off the radiator DIAMANT/EMERAUDE with the switch and wait for it to cool down to clean it with a soft, damp cloth. Do not let a child unattended take care of it.

A long contact with the glass can burnt

The radiant surface can reach 80°C (176°F). respect a minimal distance between DIAMANT/EMERAUDE and the surrender part.

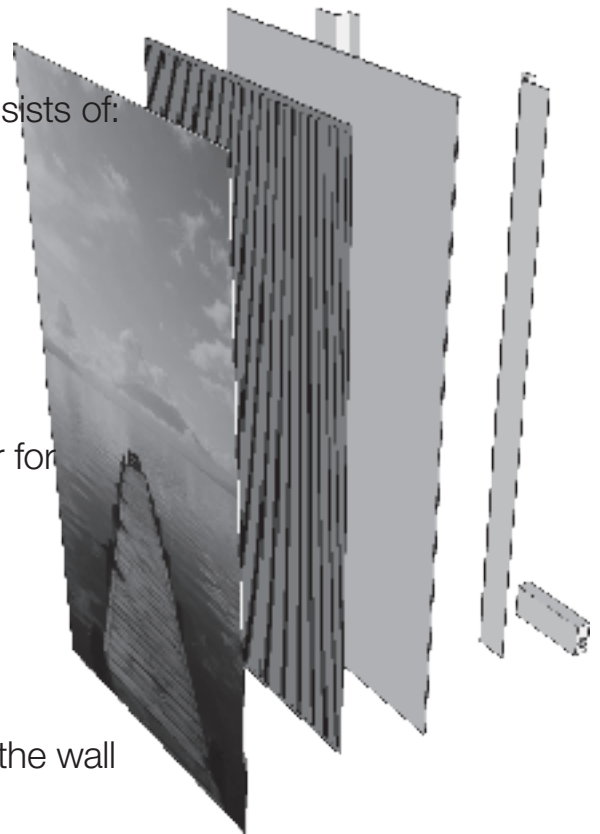
DIAMANT/EMERAUDE, is hot when in use. to avoid burning, do not leave your skin touch the hot surface. Combustible material like furnitures, paper, covers, curtains, clothes shall have a minimum of 50cm (20ft) distance.

III. Installation of radiator DIAMANT/ EMERAUDE

COMPOSITION

The DIAMANT/EMERAUDE extra-fine design radiator consists of:

- From a tempered glass decorative surface,
- From an aluminum heating film (patented),
- A mounting system for an installation Horizontal or vertical wall,
- IN OPTION; An electrical box and a radio receiver for proper operation of the thermostat
(See package insert).



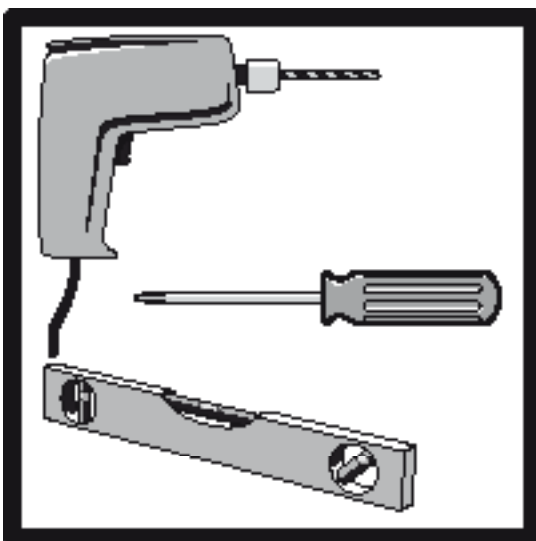
Towel bars can be added

To your radiator DIAMANT/EMERAUDE before fixing it to the wall

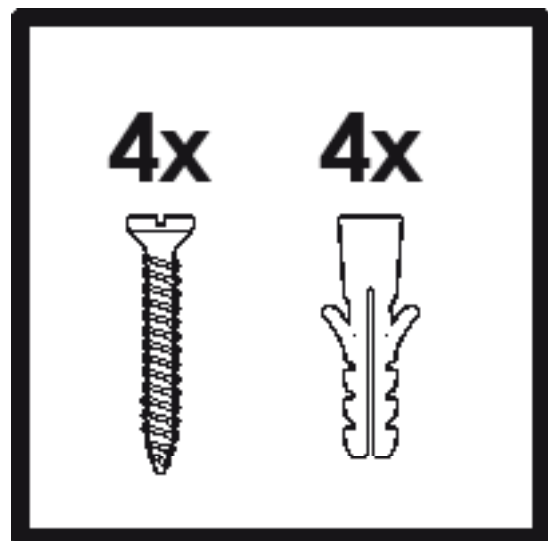
To turn it into a real towel dryer: ideal for your bathroom

(accessories supplied separately).

TOOLS REQUIRED FOR INSTALLATION



Minimum tools required
For installation



Accessories not included:
4 screws and 4 dowels suitable
for your wall

INSTALLATION AND FITTING

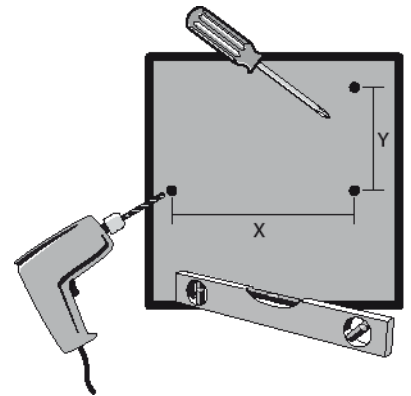
To facilitate installation of your DIAMANT/EMERAUDE radiator, a template is provided.

It is represented on the back of the packaging (actual dimensions).

- **Reminder of drilling centers**

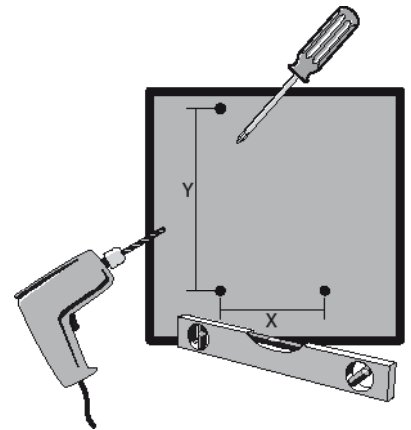
HORIZONTAL SPACING

In mm	HORIZONTAL SPACING X	VERTICAL SPACING Y
DIAMANT/EMERAUDE 400x1200	966 / 38,03'	290/ 11.42'
DIAMANT/EMERAUDE 400x1800	1566 /61.65'	290 /11.42'



VERTICAL SPACING

In mm	HORIZONTAL SPACING X	VERTICAL SPACING Y
DIAMANT/EMERAUDE 400x1200	290 /11.42'	966 / 38,03'
DIAMANT/EMERAUDE 400x1800	290/11.42'	1566 /61.65'



- **Selection of radiator location**

Position the template on your wall to choose the ideal location of your radiator and rely on the indicated marks. Remember to keep a minimum distance around the product (at least 200 mm or 7.87' recommended from an obstacle or a wall angle).

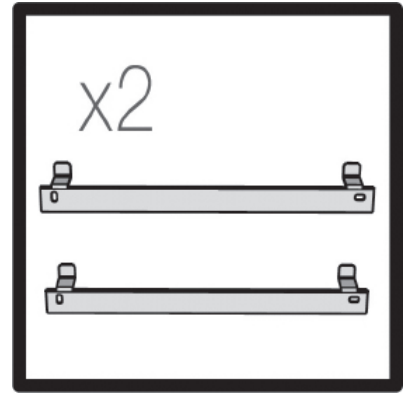
Adjust the position using a level once the location is validated.

Locate the drilling points according to the size of the radiator.

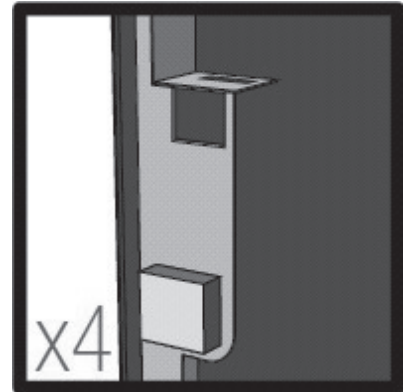
Drill the wall.

- **Attaching the radiator to the wall**

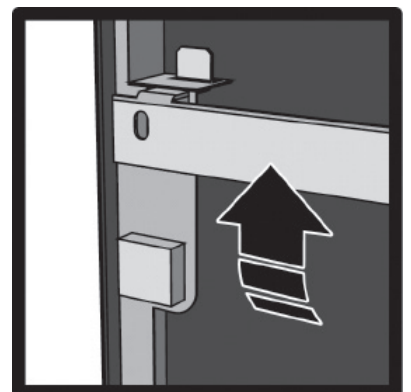
Fix the 2 wall brackets with 4 dowels and 4 screws adapted to the material of your wall.



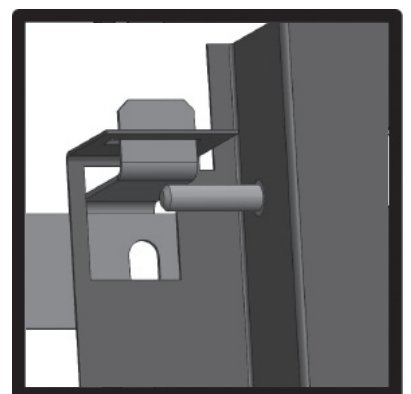
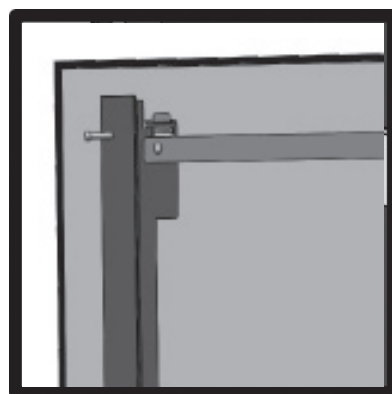
Glue the 4 foam pads underneath each Hole as shown in the illustration opposite.



Position the radiator on the wall brackets By sliding it correctly into the holes.



Lock the radiator the lateral safety screw provided.
(Left or right of choice).



- **Electrical connection**

Connect electrically.

L = Phase (brown)

N = Neutral (blue)

The electrical connexion must be made with a IPX4 box , class II, in compliance with regulation.

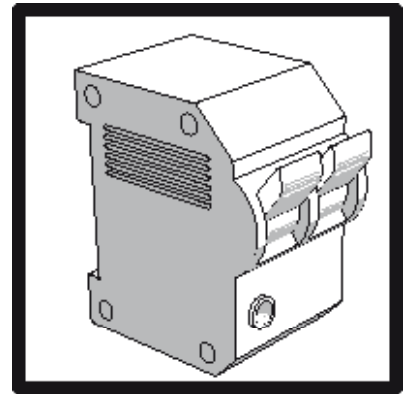


PILOT WIRE = FP (black)

Do not plug in if you are not connected to an automated system that manages the Pilot wire.

Please go page 24 for more detailed information.

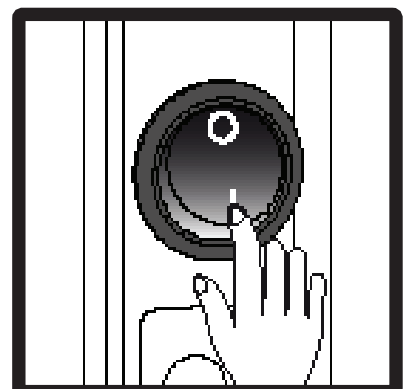
Protect the supply line with a circuit breaker differential of 25 or 30 mA.



Clean with a soft, damp cloth before heating.



Switch on using the switch located on the side of the radiator..



IV. Technical characteristics of radiator DIAMANT/EMERAUDE

Voltage: ~120V/AC (60Hz)

Maximal Intensity per radiator: 5A

Protection Class: II

Potection Index: IP44

Indicated power per room: 54W/m²

Conformity: UL499 & UL2021

DIAMANT/DIAMANT/EMERAUDE RANGE TO DISCOVER

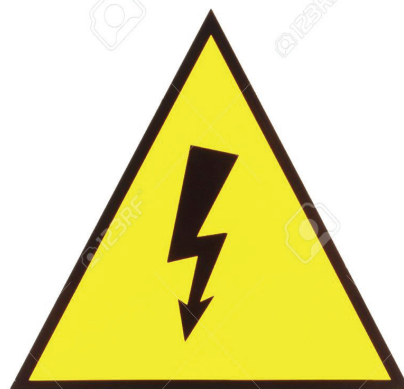
www.ilo-international.com

Power - Area to heat	WIDTH	LENGTH	WEIGHT
500W - 10M ²	400mm	1200mm	10.6Kg
750W - 15M ²	400mm	1800mm	18 Kg
750W - 15M ²	600mm	1200mm	15.6Kg
1100W - 20M ²	600mm	1800mm	23Kg

ATTENTION:

Electric Chocs danger.

Do not open, no reparation possible



V. Help with diagnosis

NATURE OF THE PROBLEM	CONTROL	ACTION
THE RADIATOR DOESN'T HEAT	1. Ensure that the green light is lighting (power) and the red light is lighting too	Turn the function button (The switch on the side of device) to position I or II
	2. The status light Function is on (green), the Heater is switched off, the Red light is not lit on the side of your radiator	Check the value of setpoint Room temperature does not require heat your room The device is in eco mode
	3. The power light (green) Still does not light up	Ensure that circuit breakers are activated
THE RADIATOR HEAT PERMANANTLY	Make sure that the temperature on your thermostat has not been modified	Reset the temperature
	Check that the thermostat is not located near of an unheated room	Relocated the thermostat
THE DEVICE DOES NOT FOLLOW THE ORDERS OF THE PROGRAMMING	Check that the receiver or thermostat are in operation Ensure proper use Of programming.	Push the button on position I or II Check batteries Verify proper operation of programming
IN ALL OTHER CASES, CONTACT A QUALIFIED PERSON OR OUR SERVICE CENTER (+1 435.752.6611)		

VI. Guarantee

- 5 years for the heating element of the radiator DIAMANT/EMERAUDE and 2 years for the Programmable electronic thermostat.

- The warranty period starts from the date of purchase on the Invoice or receipt.

- This warranty applies in addition to all standard laws.

GUARANTEE CONDITIONS

Any request for guarantee is subject to compliance with the following terms and conditions:

- This warranty is valid only for domestic use in dry space.

- The warranty covers defects arising during the manufacture of the equipment.

It does not extend to damage caused by third parties (eg transport or assembly).

- No warranty is offered for damage resulting from use abuse, misuse, accidents or natural disasters, damages resulting from other unusual circumstances in connection with the residential applications.

- Damage resulting from improper maintenance and cleaning, overload, or due to moisture are also excluded from coverage provided by the guaranteed presence.

- The warranty does not apply if the products are not installed according to the manufacturer's recommendations.

- Warranty is void if products are installed despite defects visible.

- ILO reserves the right to inspect damage on site after agreed to a reasonable inspection date in order to verify the conformity of the warranty terms and conditions.

- This warranty supersedes all other warranties. The guarantee shall be subject to the version of the guarantee in force at the purchase time.

- If a defect covered by this warranty is found, the manufacturer will repair or replace the product free of charge.

- The replaced product will benefit from same guarantee for the following years.

NB: Our commitment is limited to the supply of new equipment. Other cost related are not covered.

GUARANTEE CERTIFICATE

In case of damage during the warranty period or later, please

Contact the manufacturer below:

- email : derrick@heatstorm.com
- HOT LINE : +1 435.752.6611

In the case of a return service, please attach this document filled with the invoice.

Name:

Email :

Street :

Product :

ZIP code:

Date of purchase :

City :

Installater :

Country :

Date of installation :

Tel. :

Please attach a copy of the purchase invoice.

HEATSTORM / ENERGYWISE SOLUTIONS 700 W. 1700 S. SUITE 111

LOGAN, UT 84321