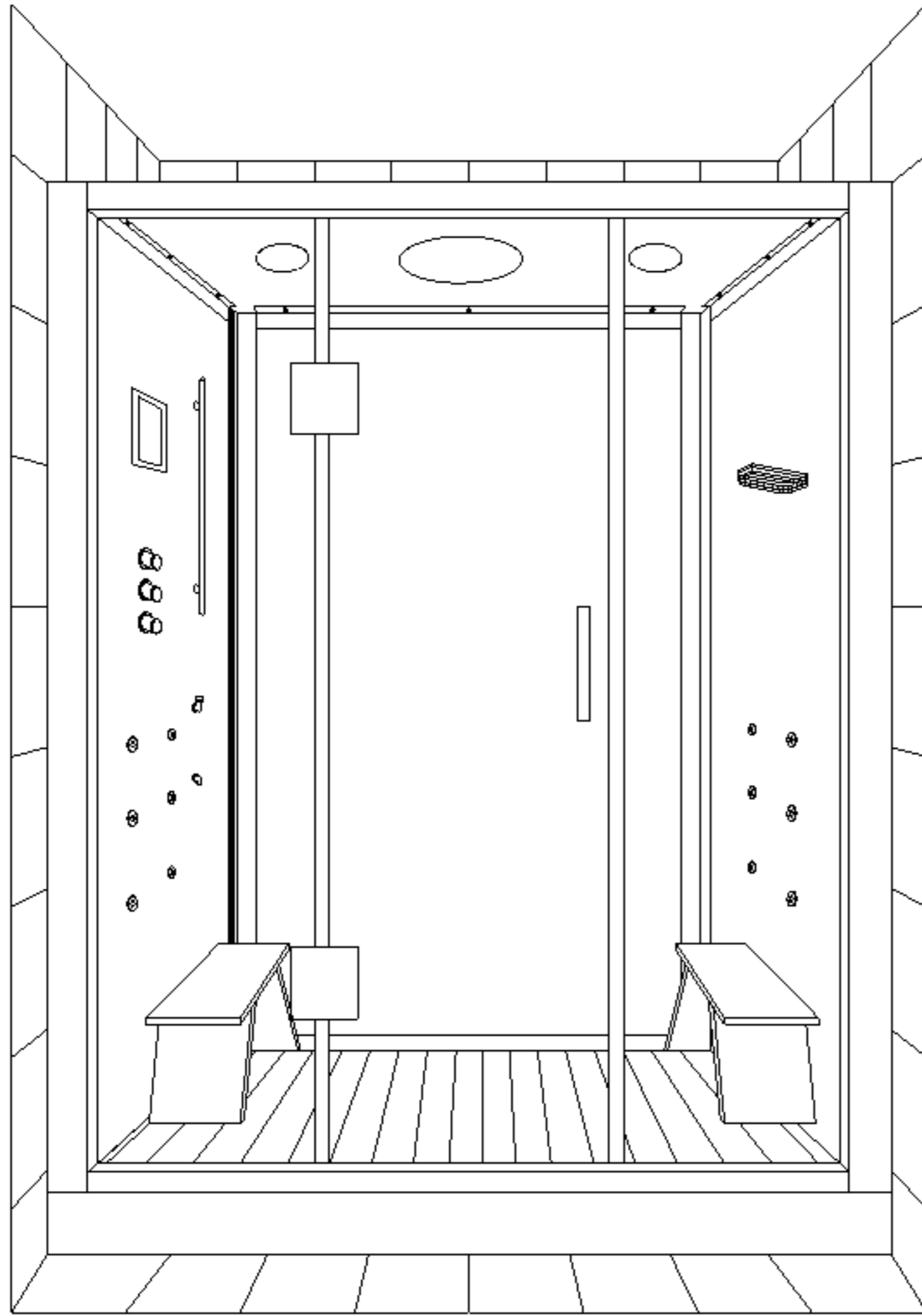
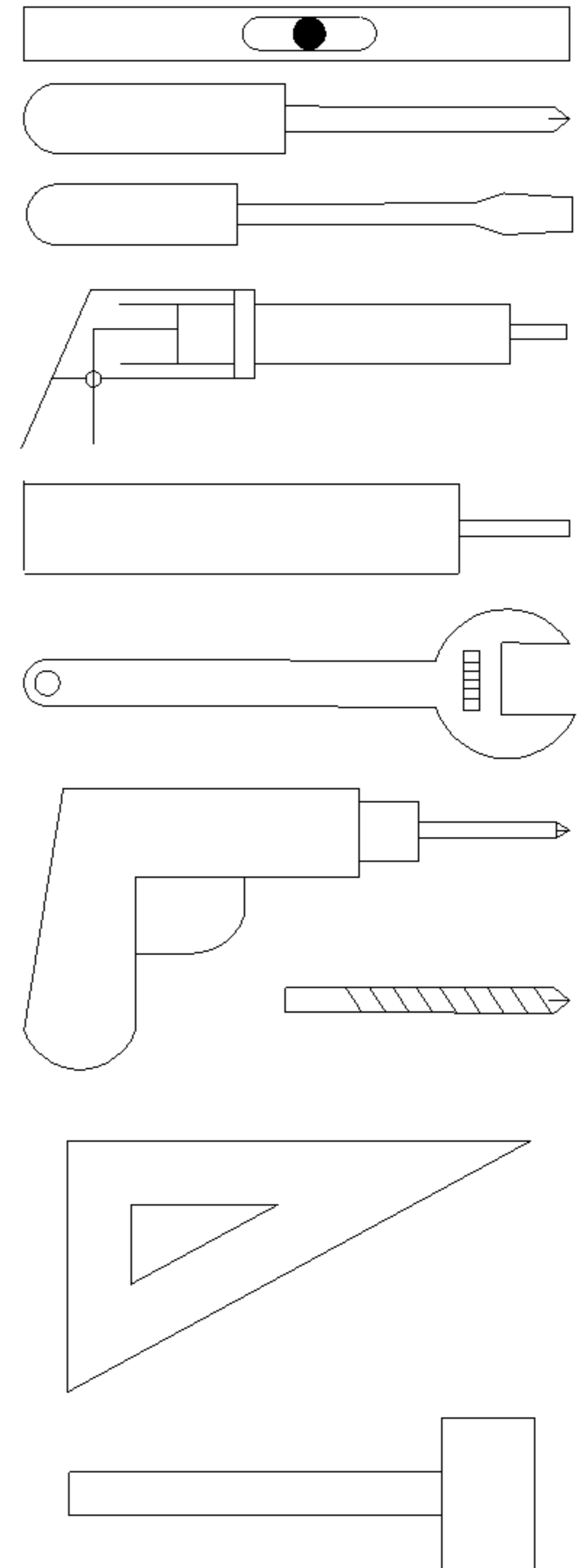
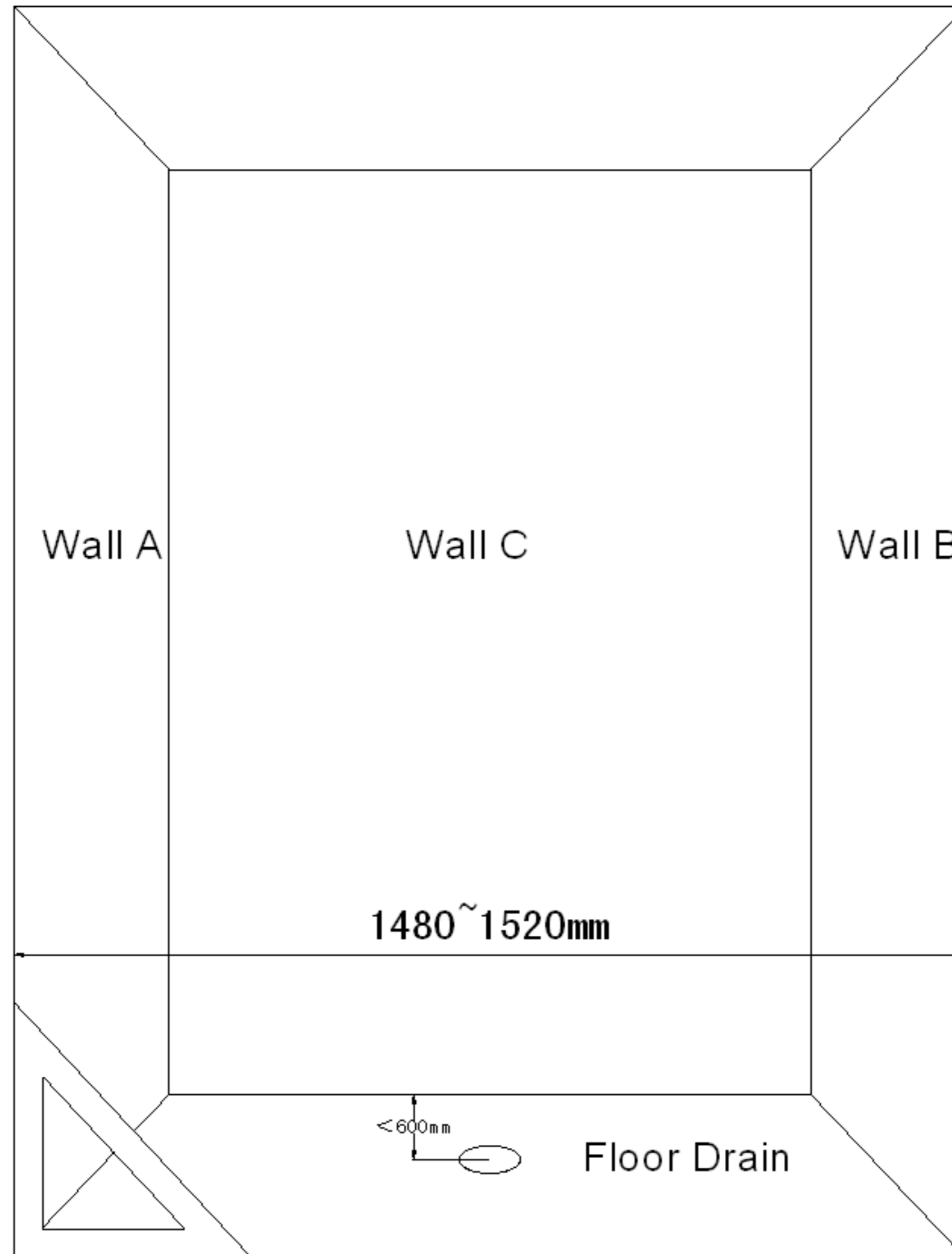


INSTALLATION INSTRUCTION
WS112W、112-1W、112-2W



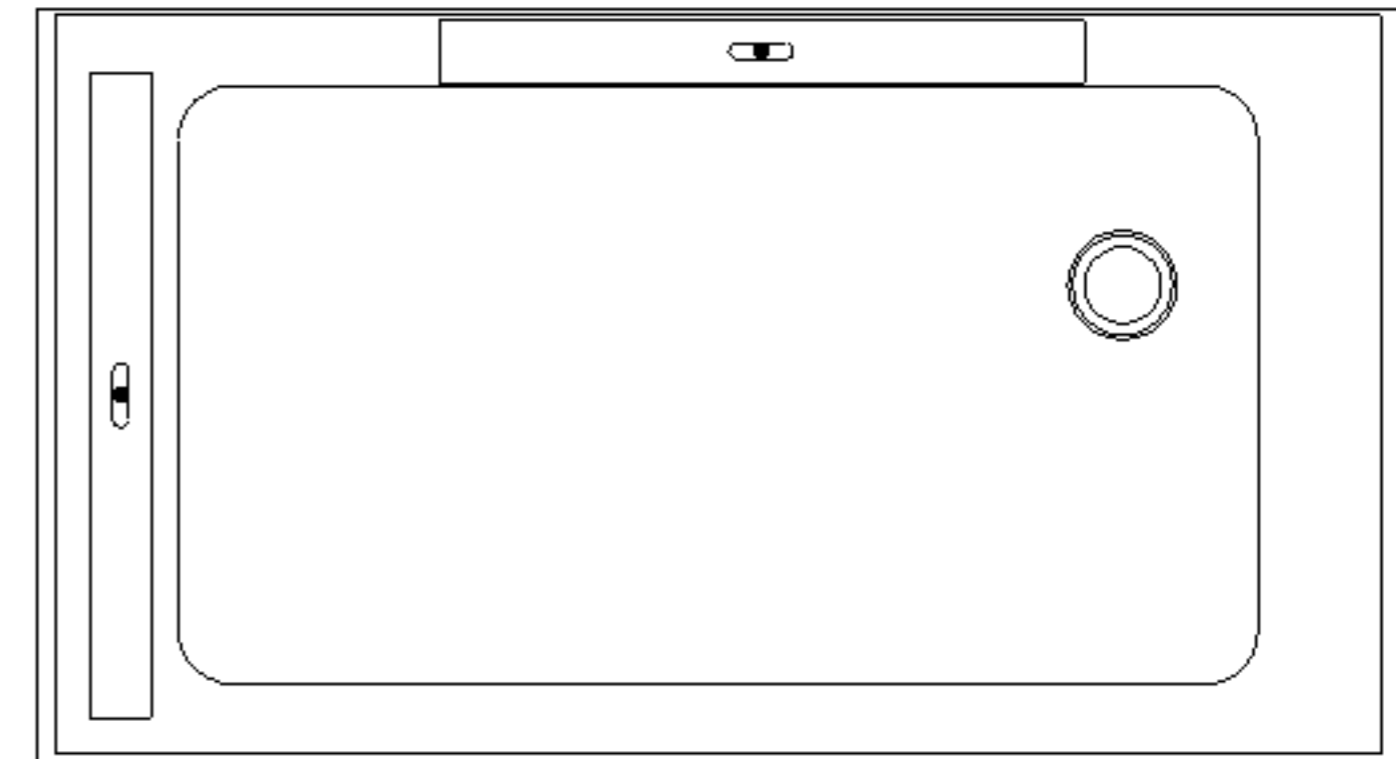
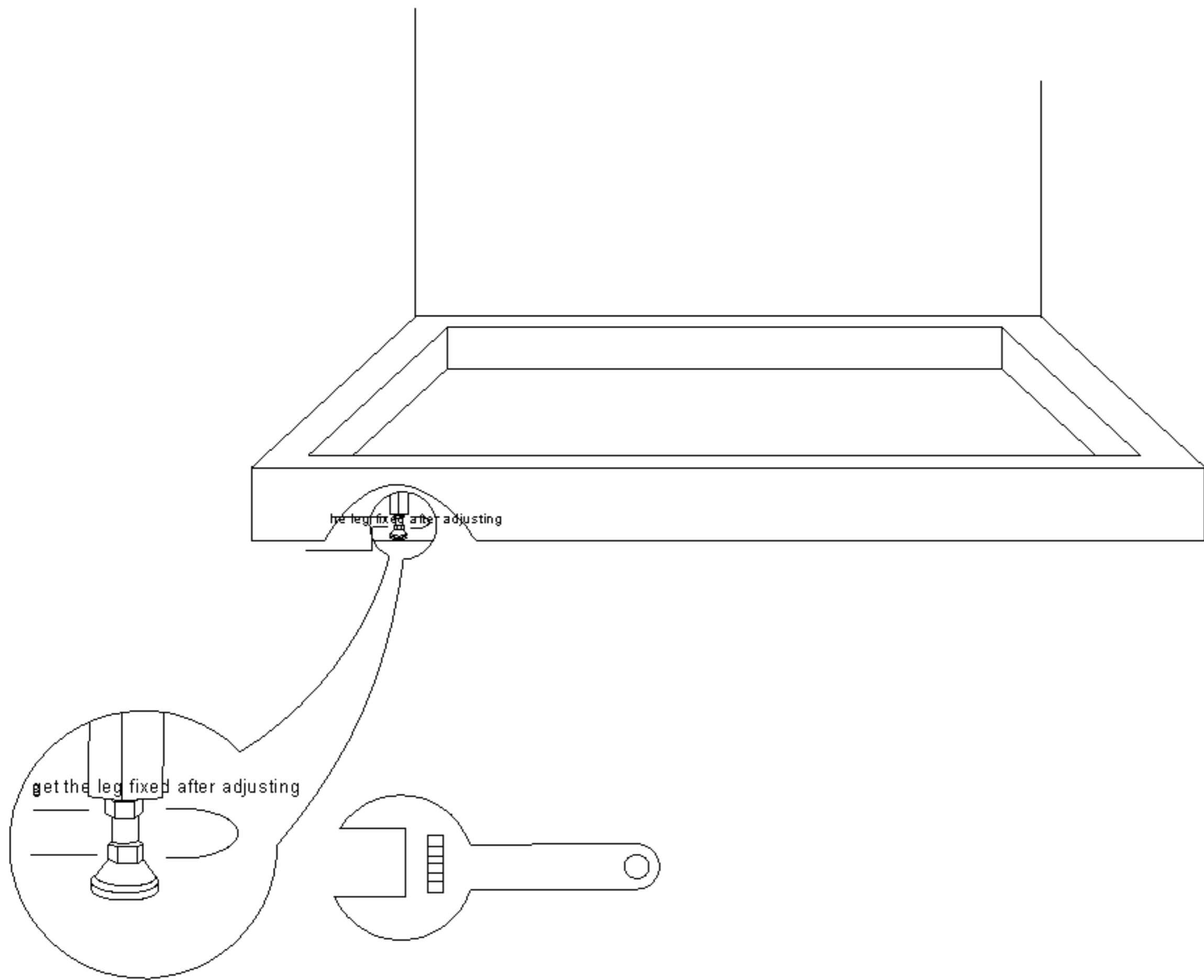
1. Tools used: gradienter, screwdriver, silicone gun, silicone, spanner, electric drill, $\varnothing 9$ aiguille, triangle ruler, hammer



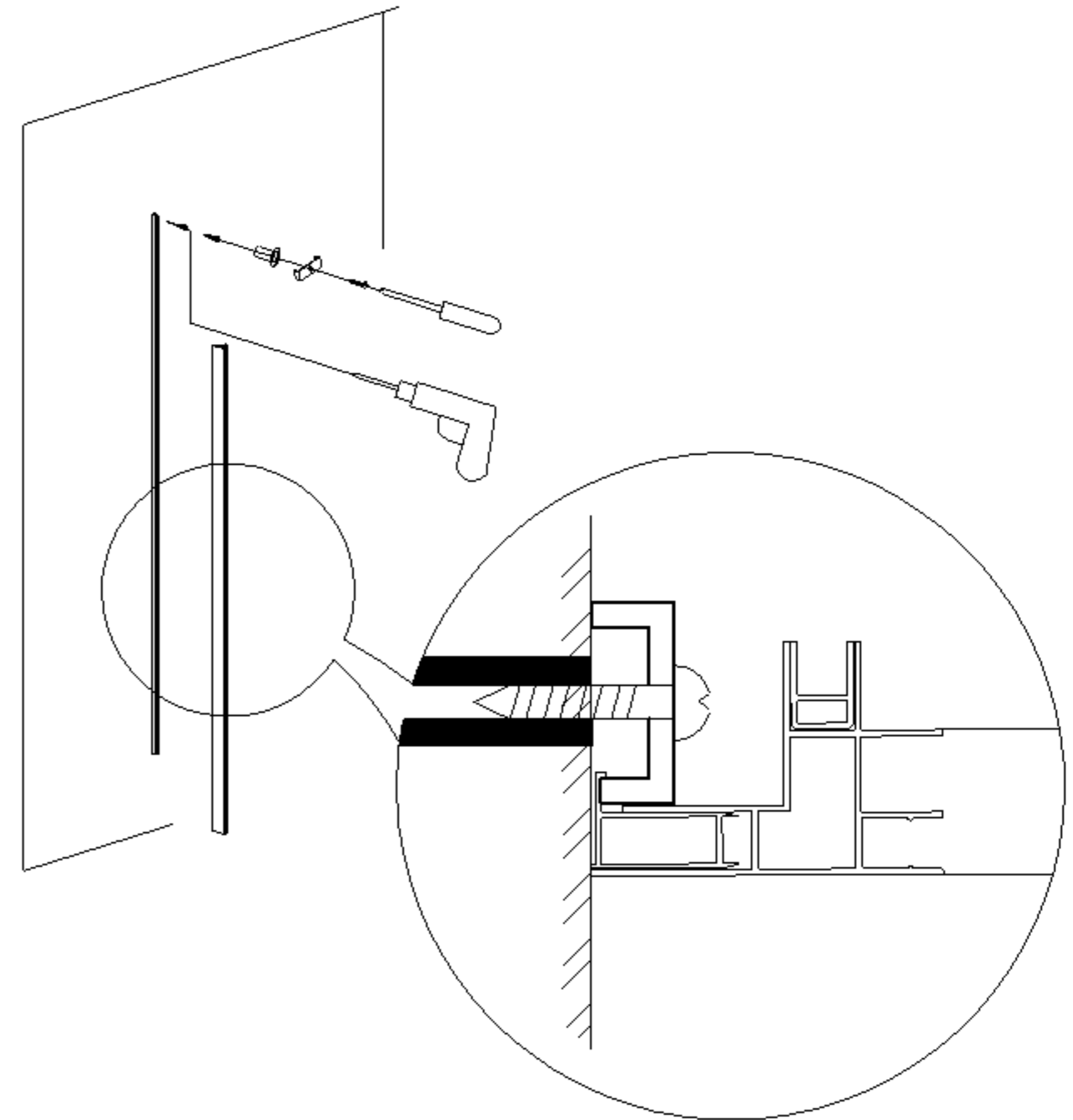
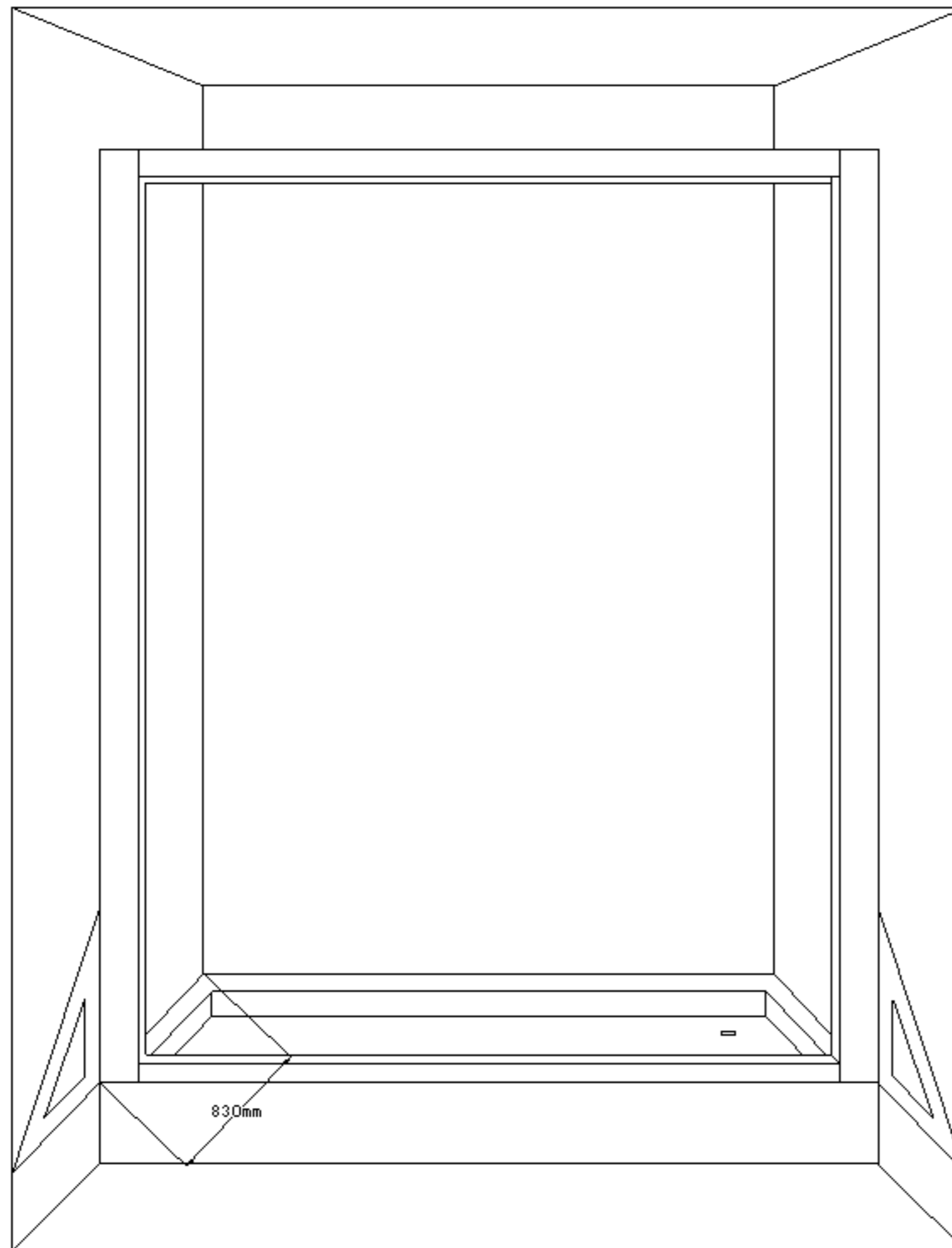


2. Installation place required

The distance between Wall A and Wall B should be within 1480~1520mm. The parallel error between Wall A and Wall B from bottom to 2000mm height should be less than 10mm. If it's bigger than 10mm, please correct the wall. The distance between floor drain and Wall C should be less than 600mm.

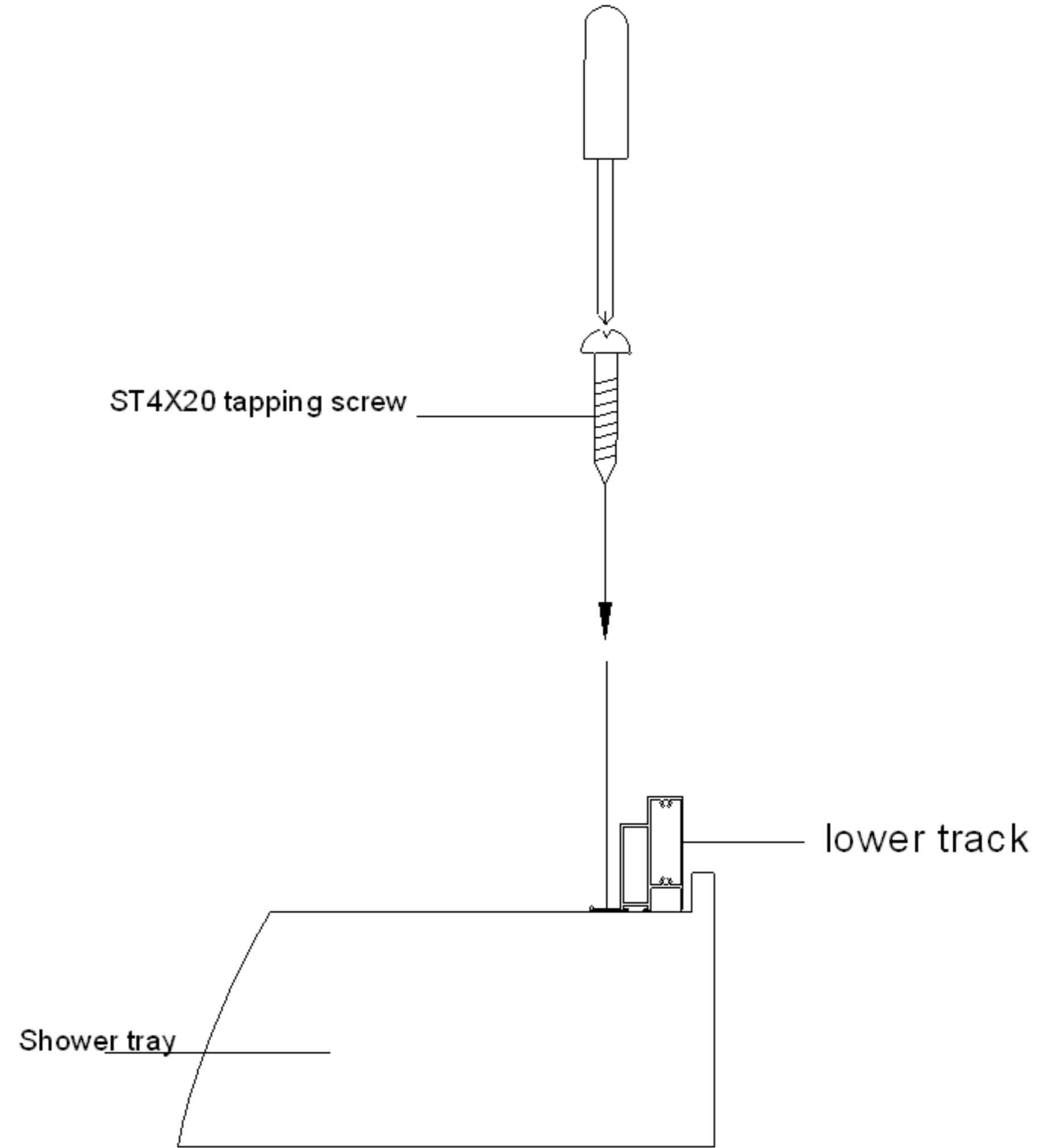
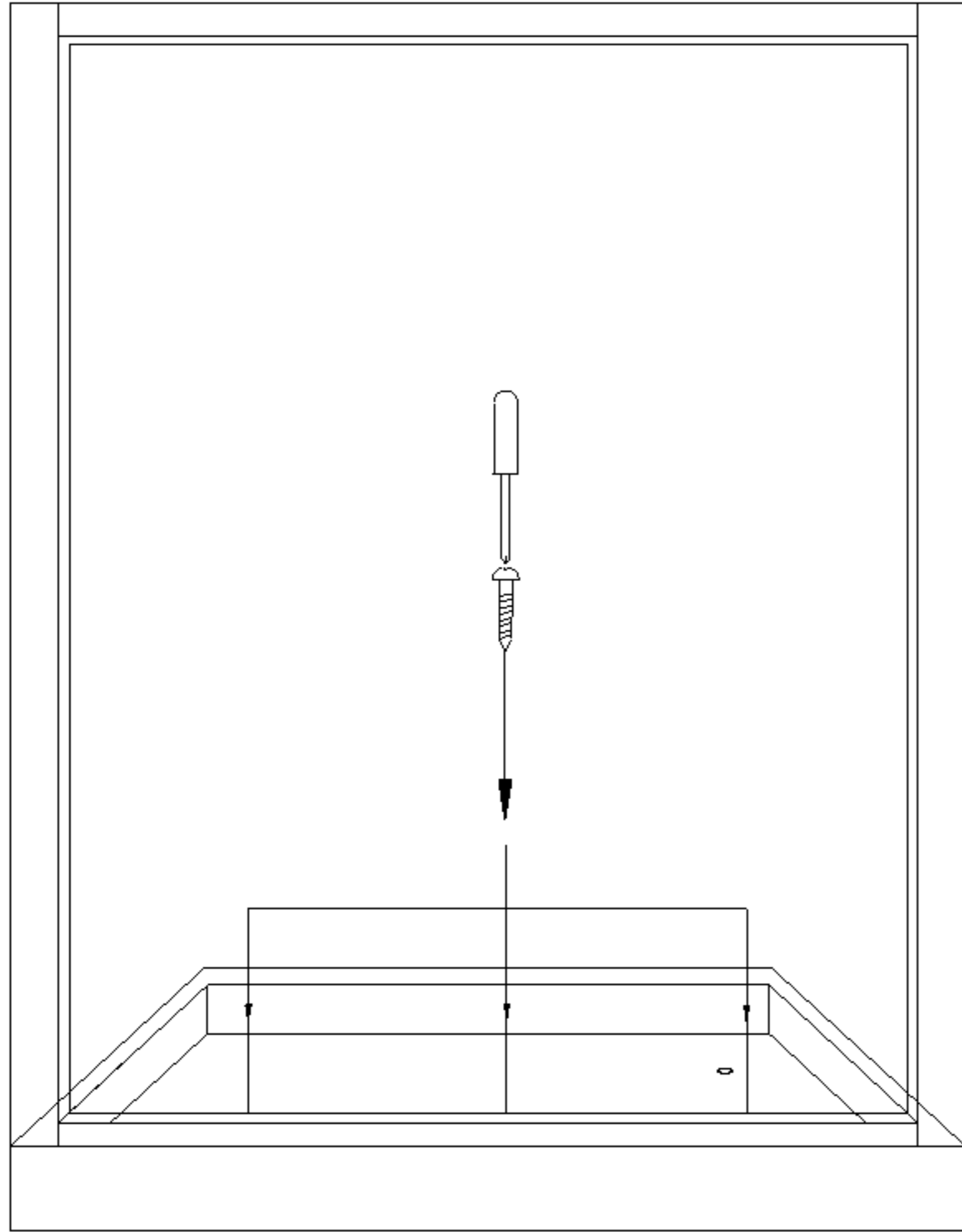


3. Adjust the shower tray: Adjust the shower tray to make sure the upper surface of the track is vertical with the wall. The upper side of the shower tray shall be level and all the legs shall reach the floor.

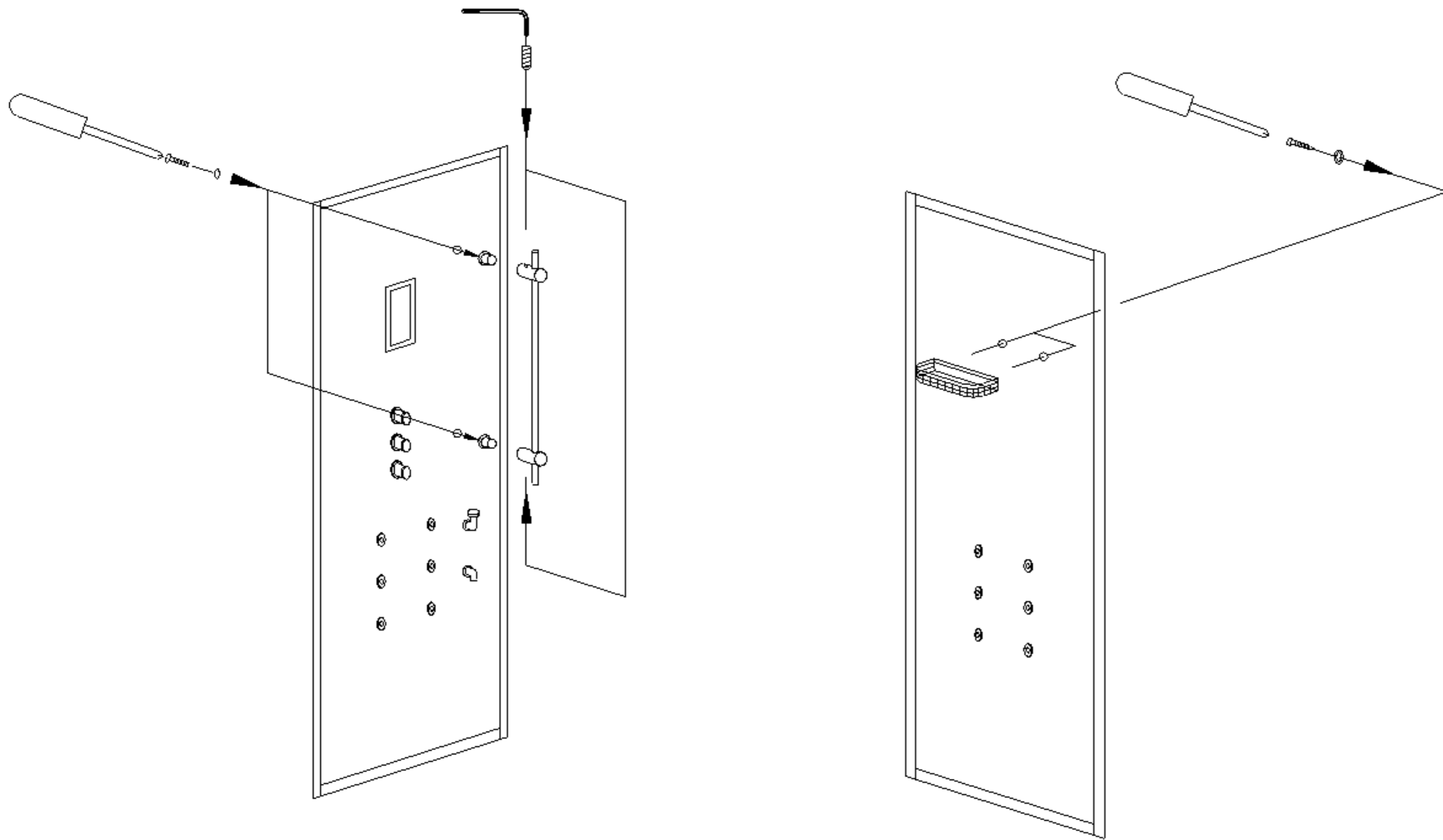


4. Install door frame

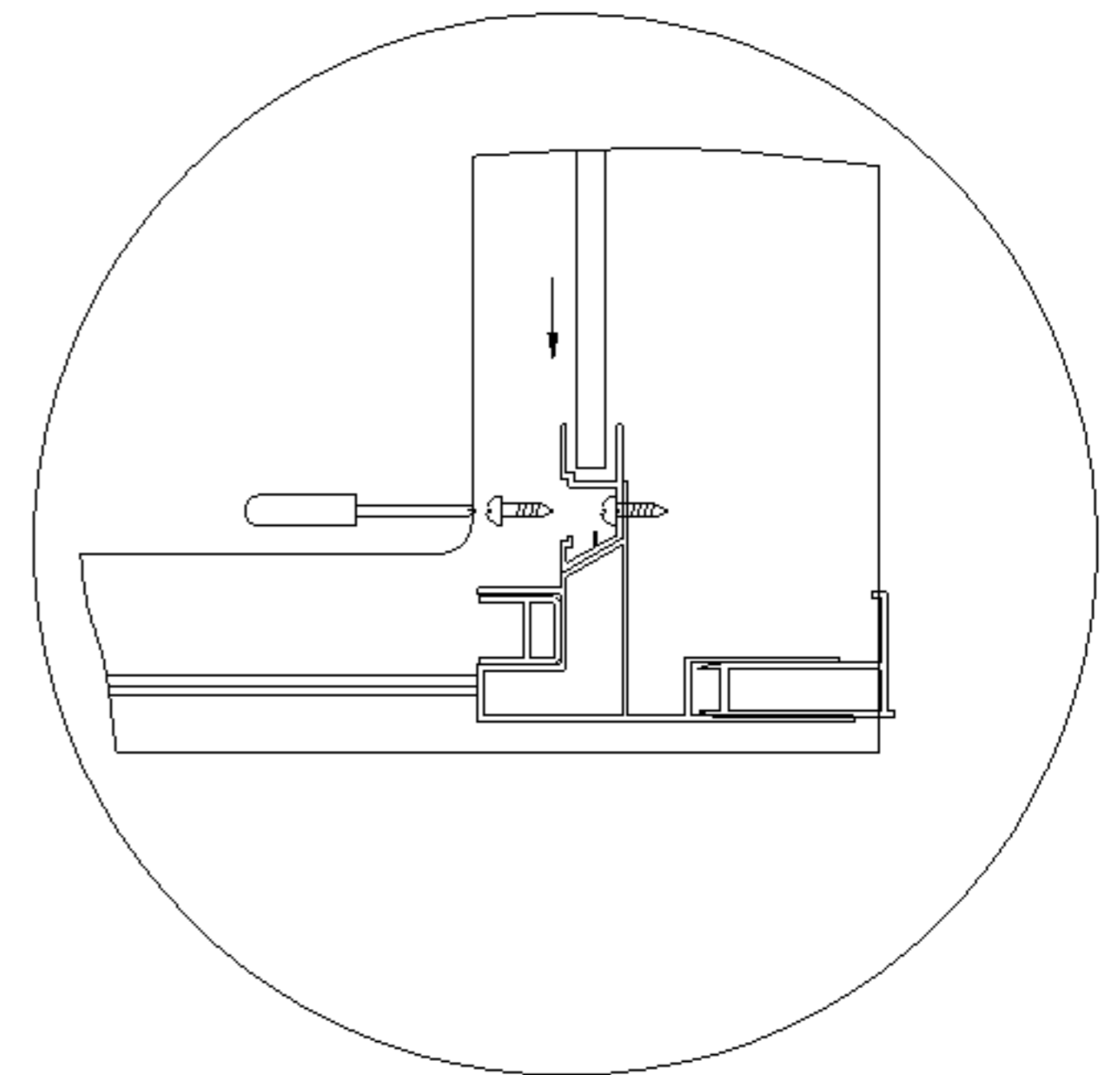
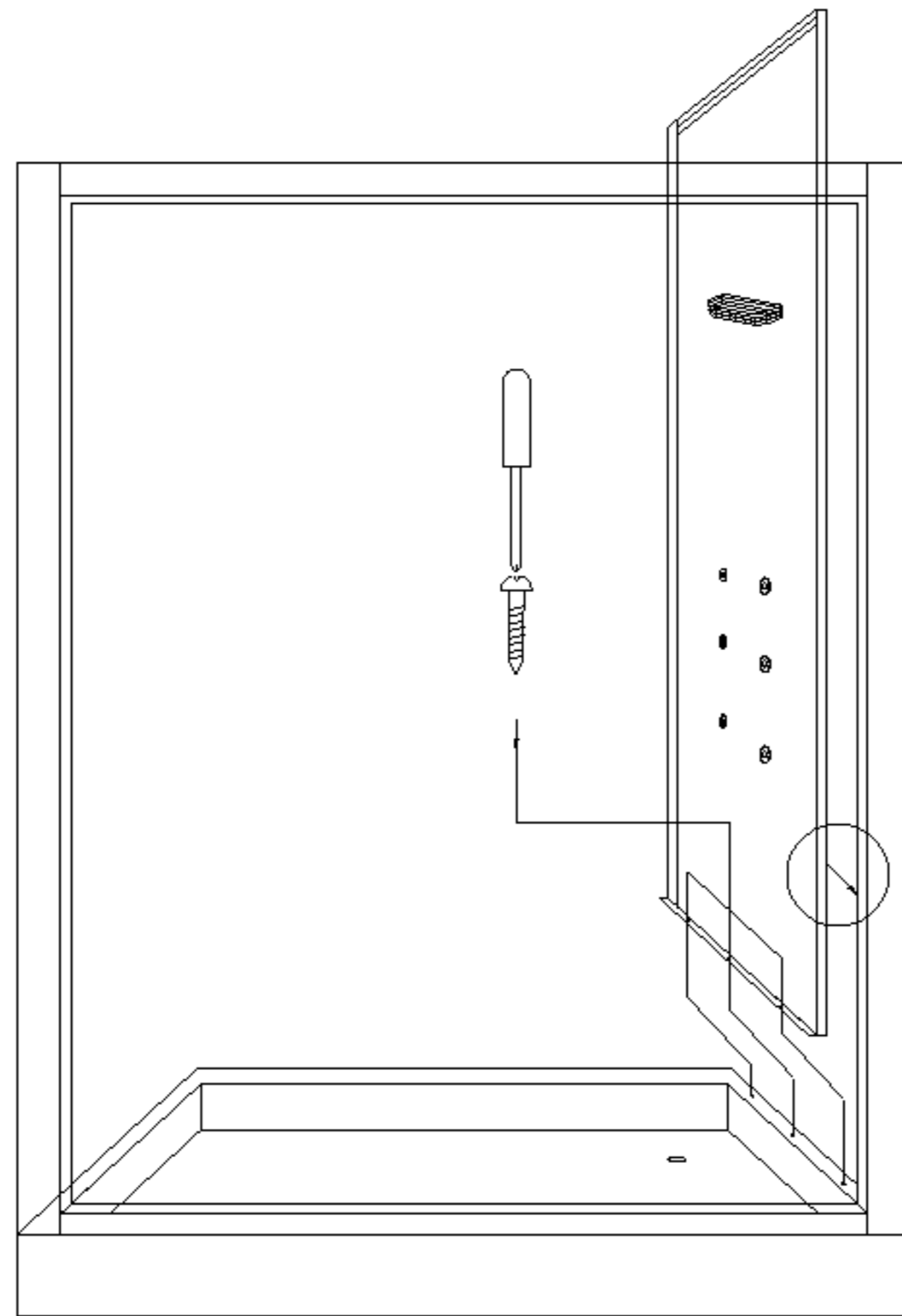
Drill holes on Wall A and Wall B and input inflating nut. Get the door frame fixed to the wall with tapping screws and blocks.



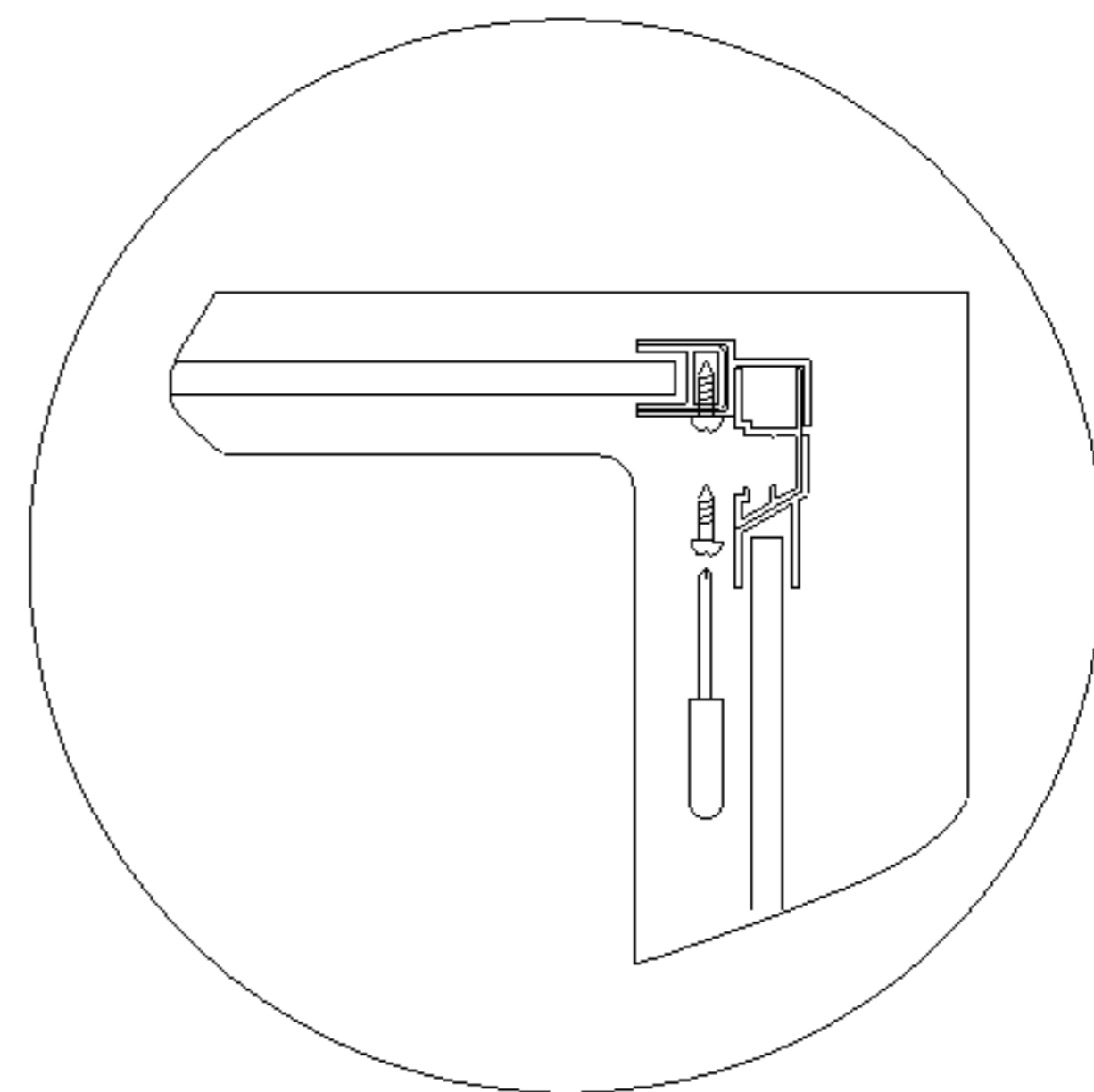
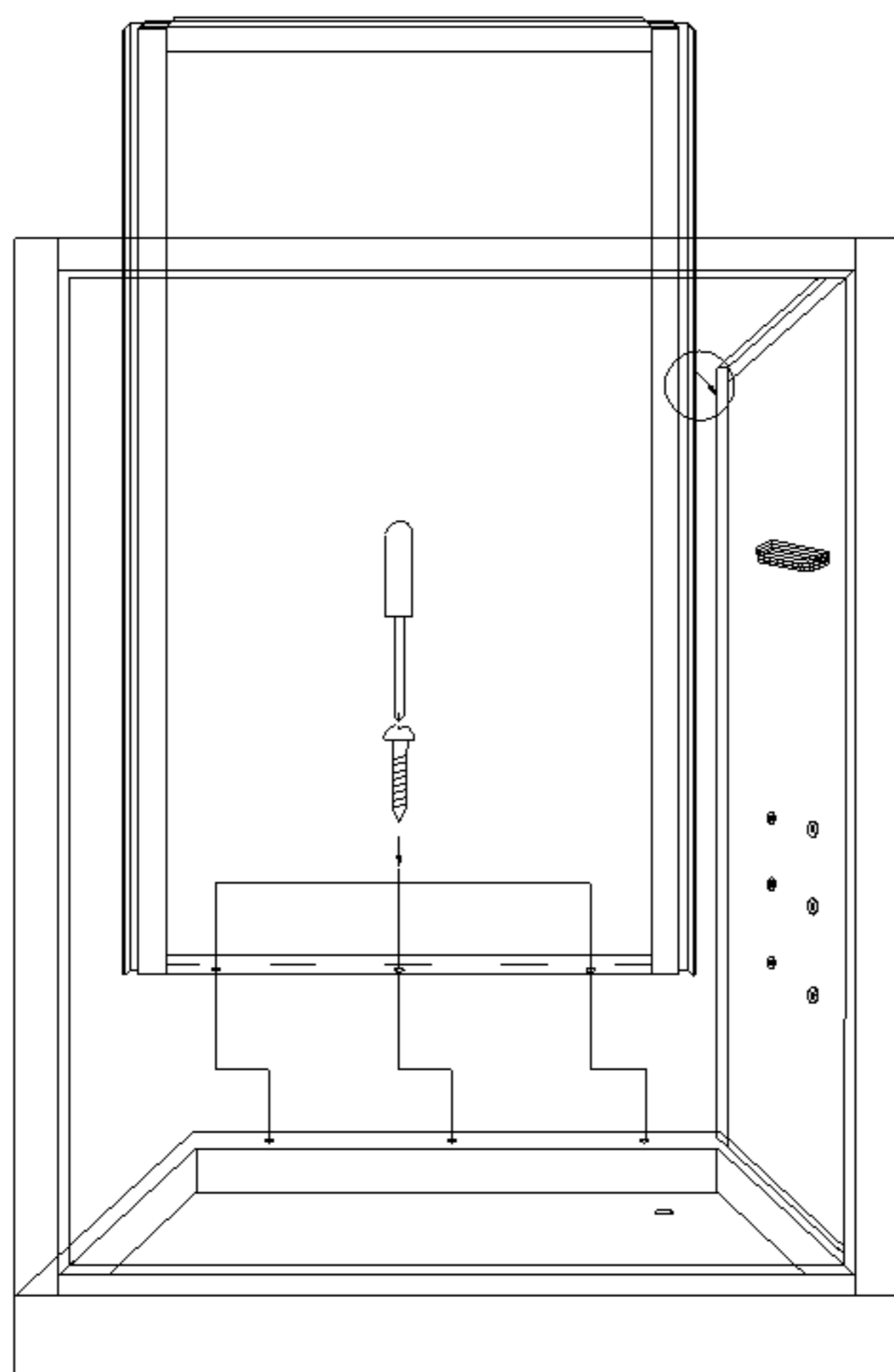
5. Install Door Frame: connect door frame and shower tray with tapping screws.



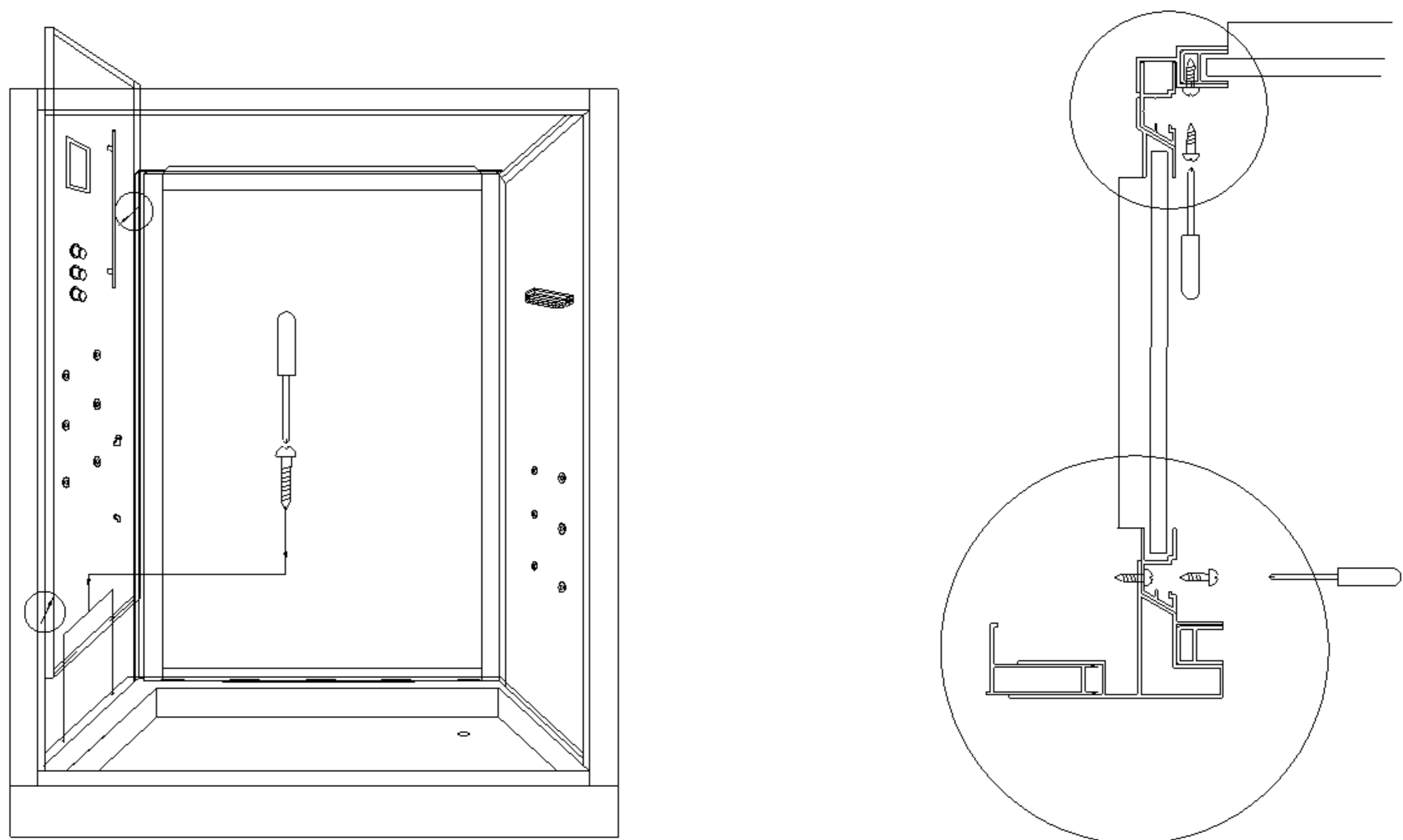
6. Install sliding shower bar and shampoo holder



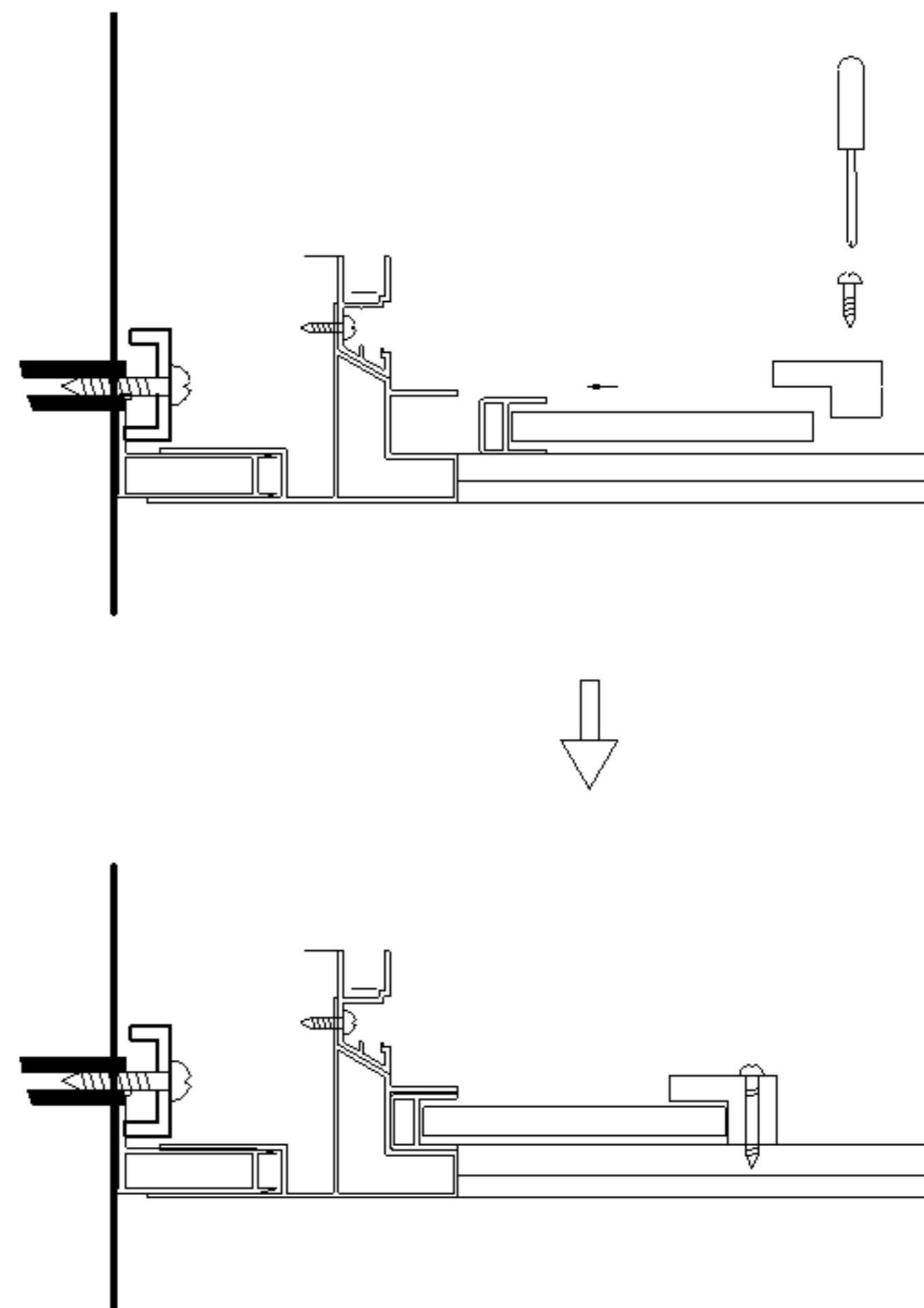
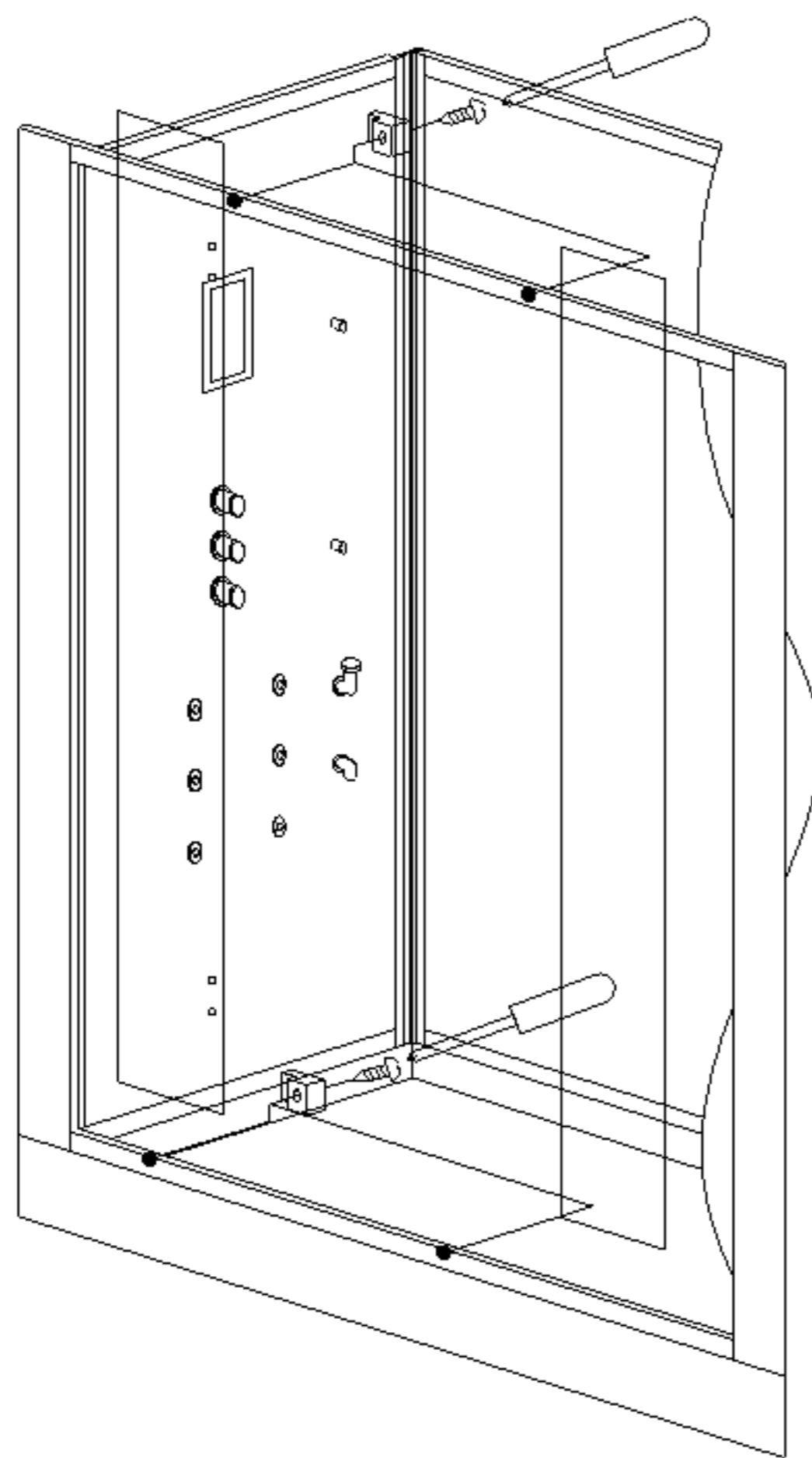
7. Install right glass panel: connect right side glass wall and shower tray with tapping screws



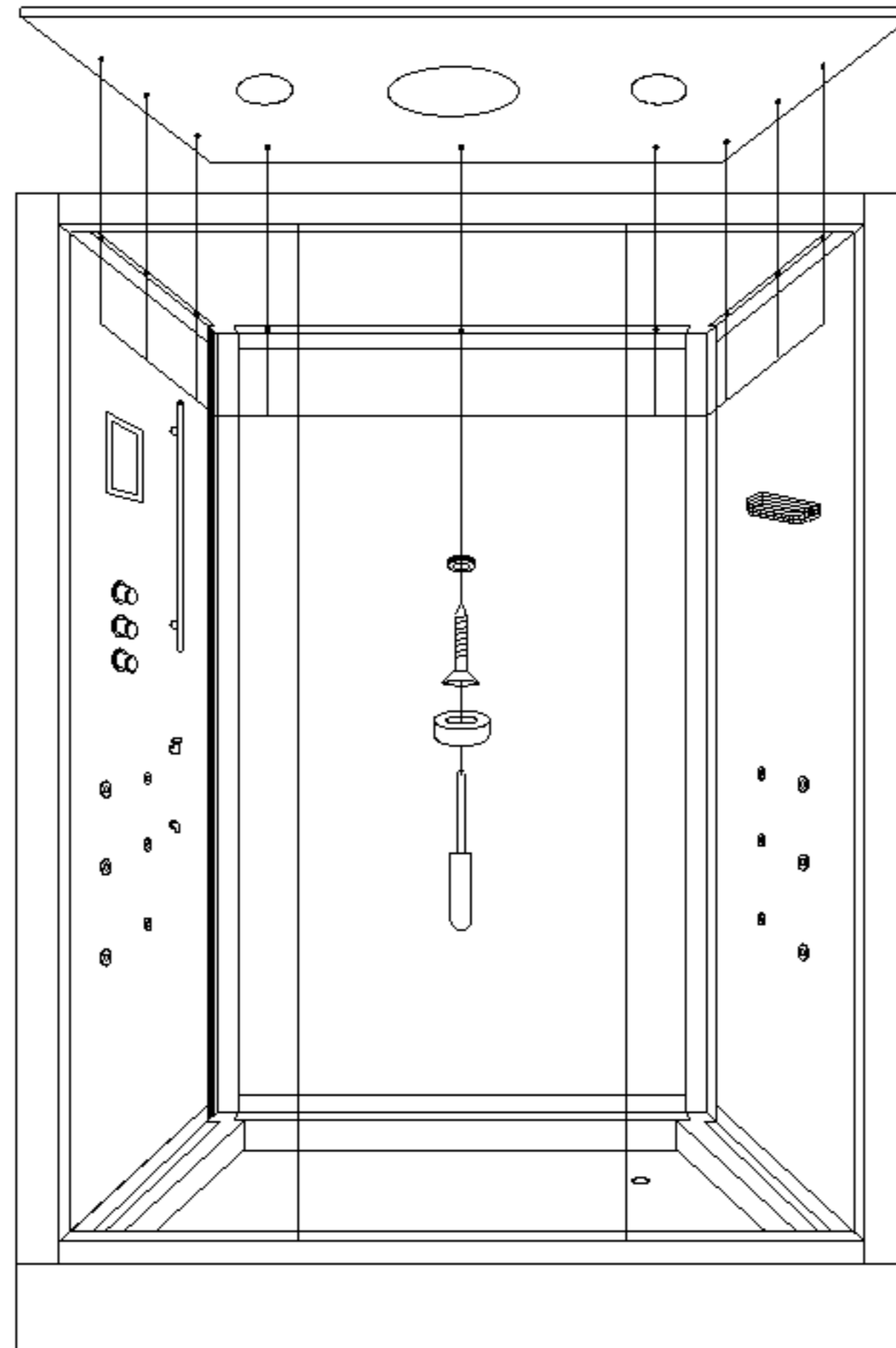
8. Install back fixed glass: use tapping screws to connect back fixed glass and shower tray.



9. Install left glass wall: use tapping screws to fix left glass wall and shower tray.



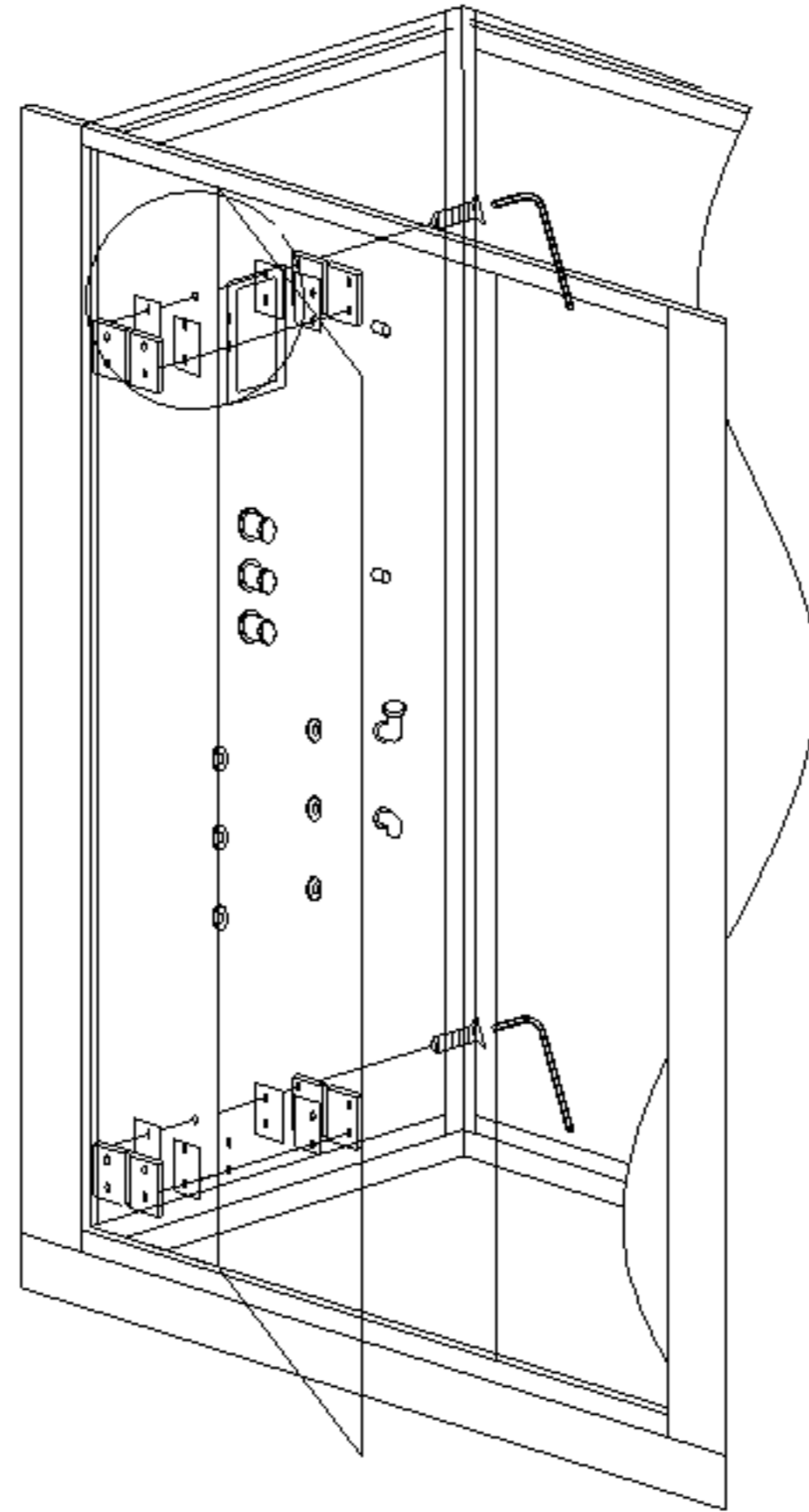
10. Install the fixed glass.



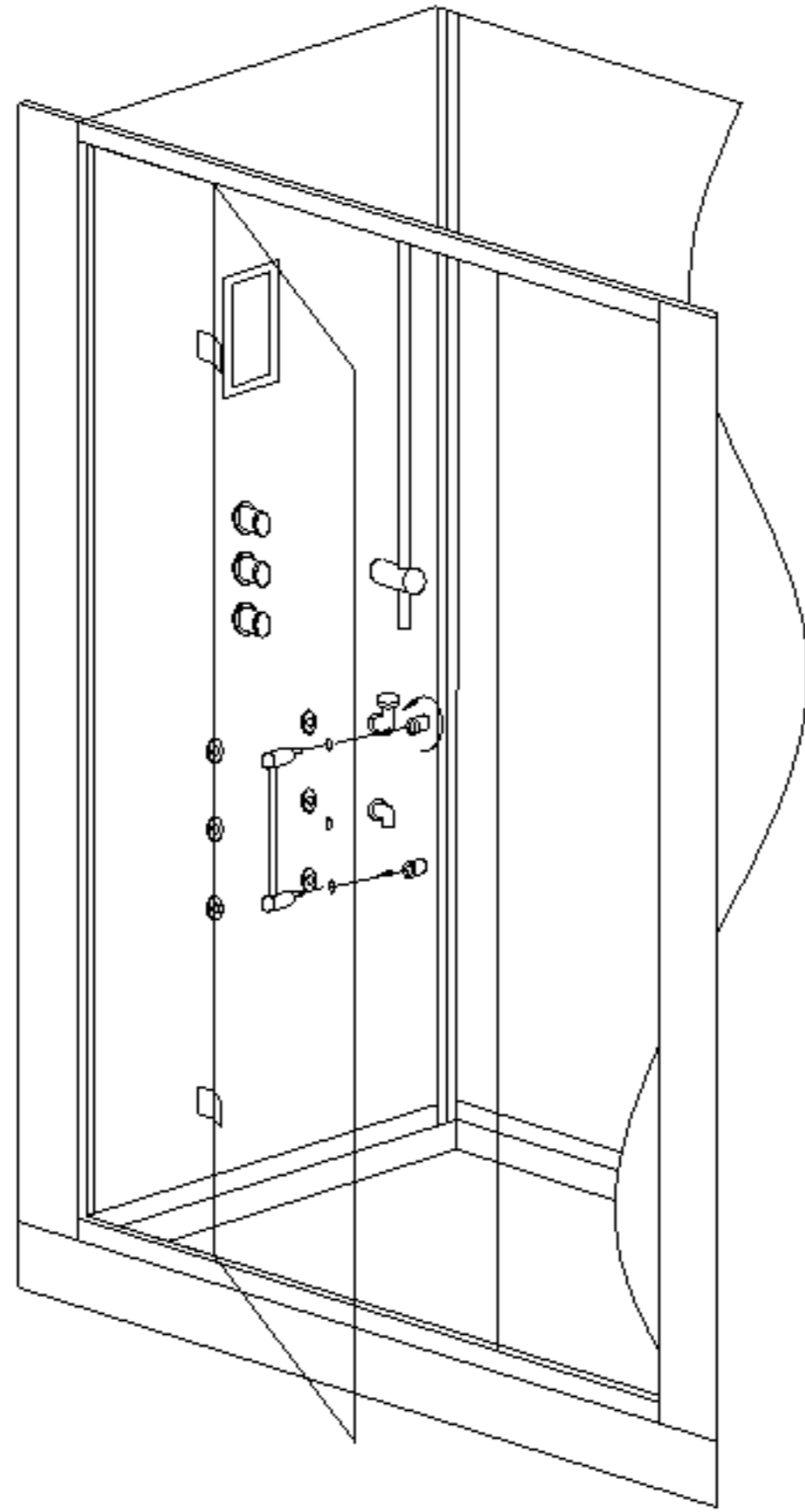
11. Install cover

A. Get water supply and power supply connected;

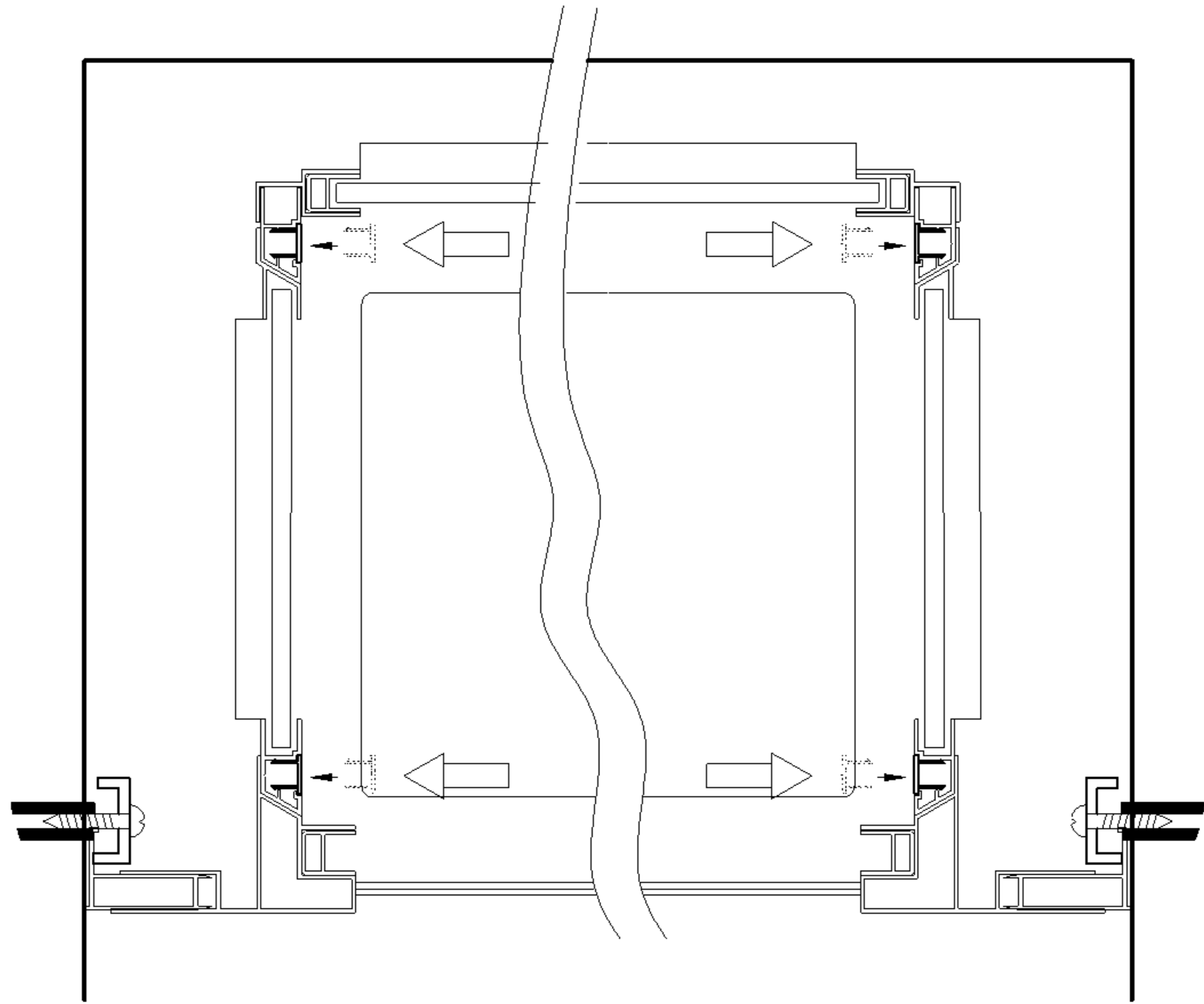
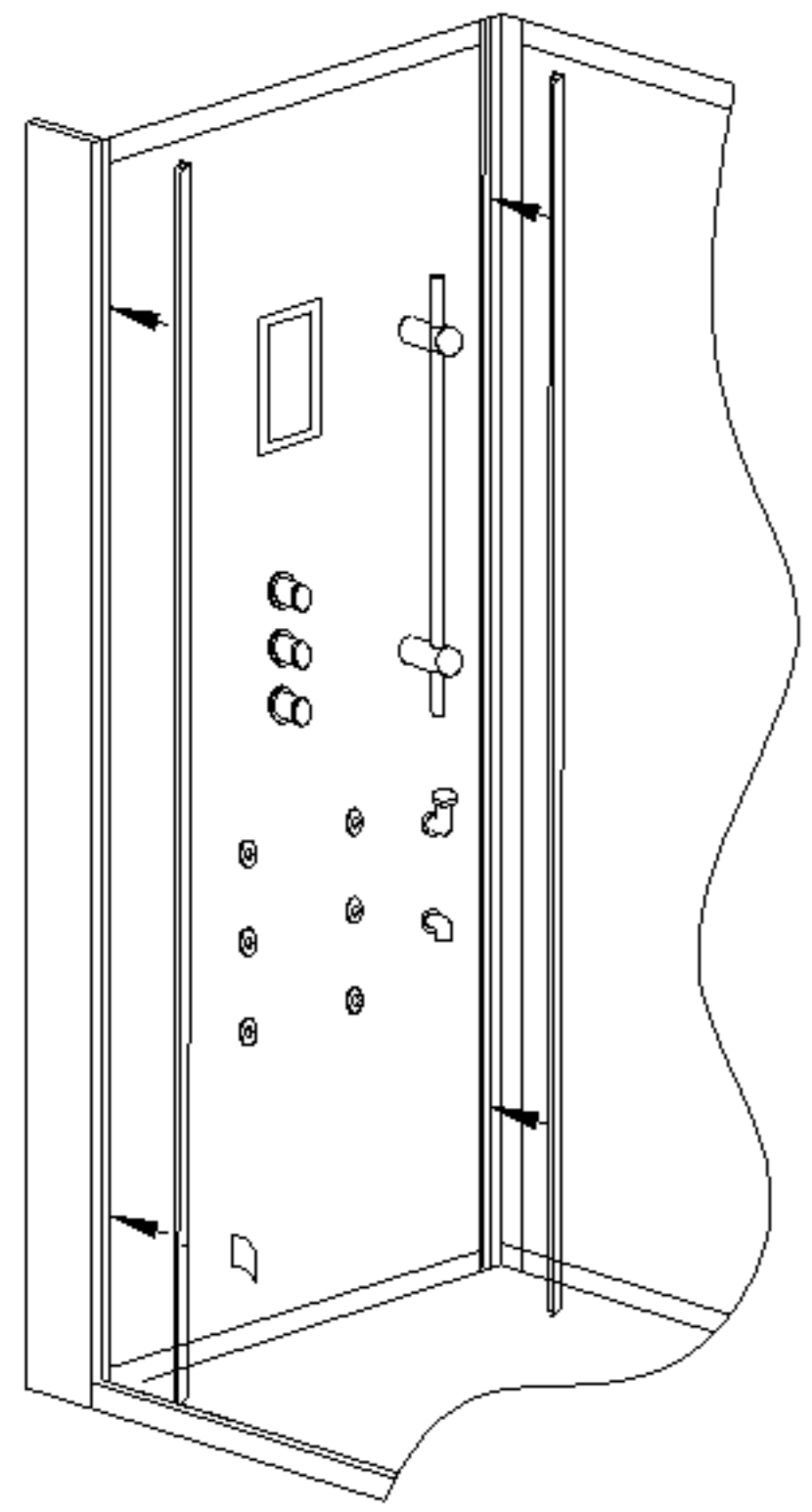
B. Get cover installed with tapping screws. And screw down the decoration cap.



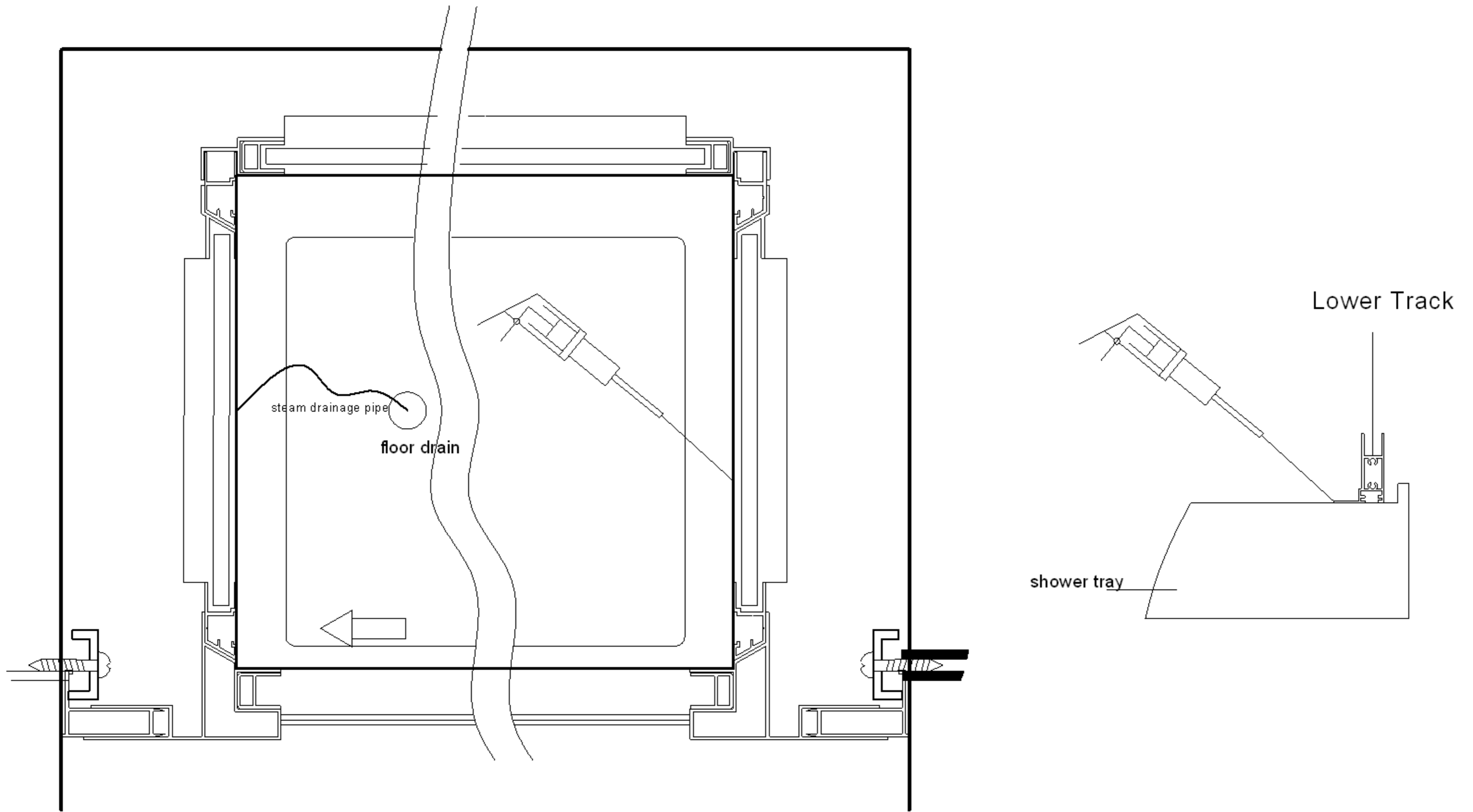
12. Install the removable glass door.



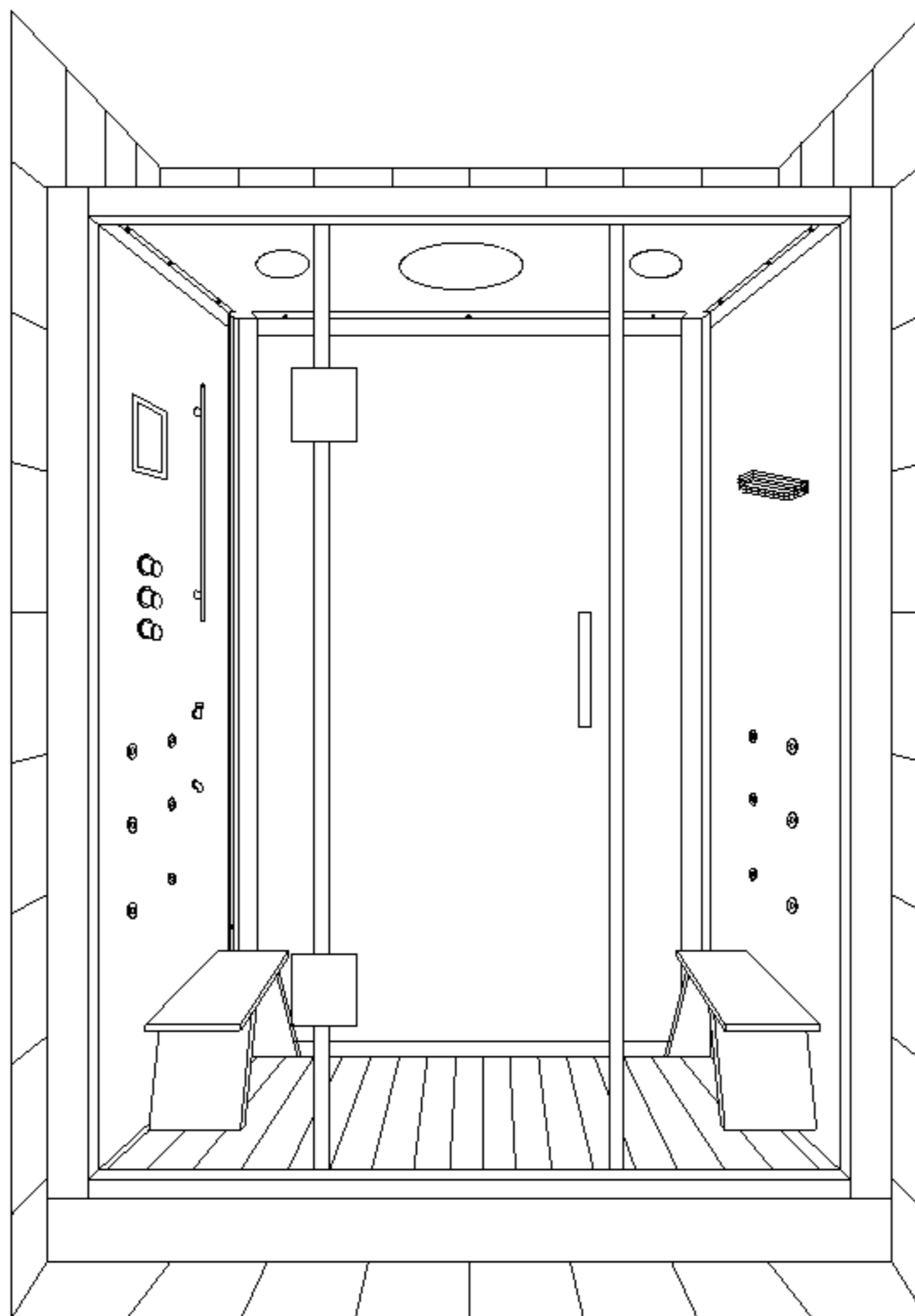
13. Install door handle.



14. Install the decoration aluminum profile.



15. Use silicone to make seal between the cabin and the floor. Get the steam drainlage pipe into the floor drain.



16. Put in the shower grid and seat. No using within 24 hours until the silicone is fully solid.