

## 1、 Installation

- The installation about steam room concern to the connection of water, electricity, pipeline and the base knowledge of locksmith. It must be installed and debugged by the eligible electrician and other people with some interrelated training. It needs 3 people to be installed.

### The condition must be ready before installing:

- The socket of the power supply. Wire---single-phase three-thread connection-peg, the rated current is upwards 16A.
- Flow pipe--DN15 pipe each for cold and hot water galvanized pipe, exceed of the wall install cut-off valve. Height of away the ground is 1200mm; the distance of two pipe is about 150mm.
- sinkhole---obligate a sinkhole of 60mm, which located in the scope of the sinkhole(as the picture) which made for the center of the range of 300mm

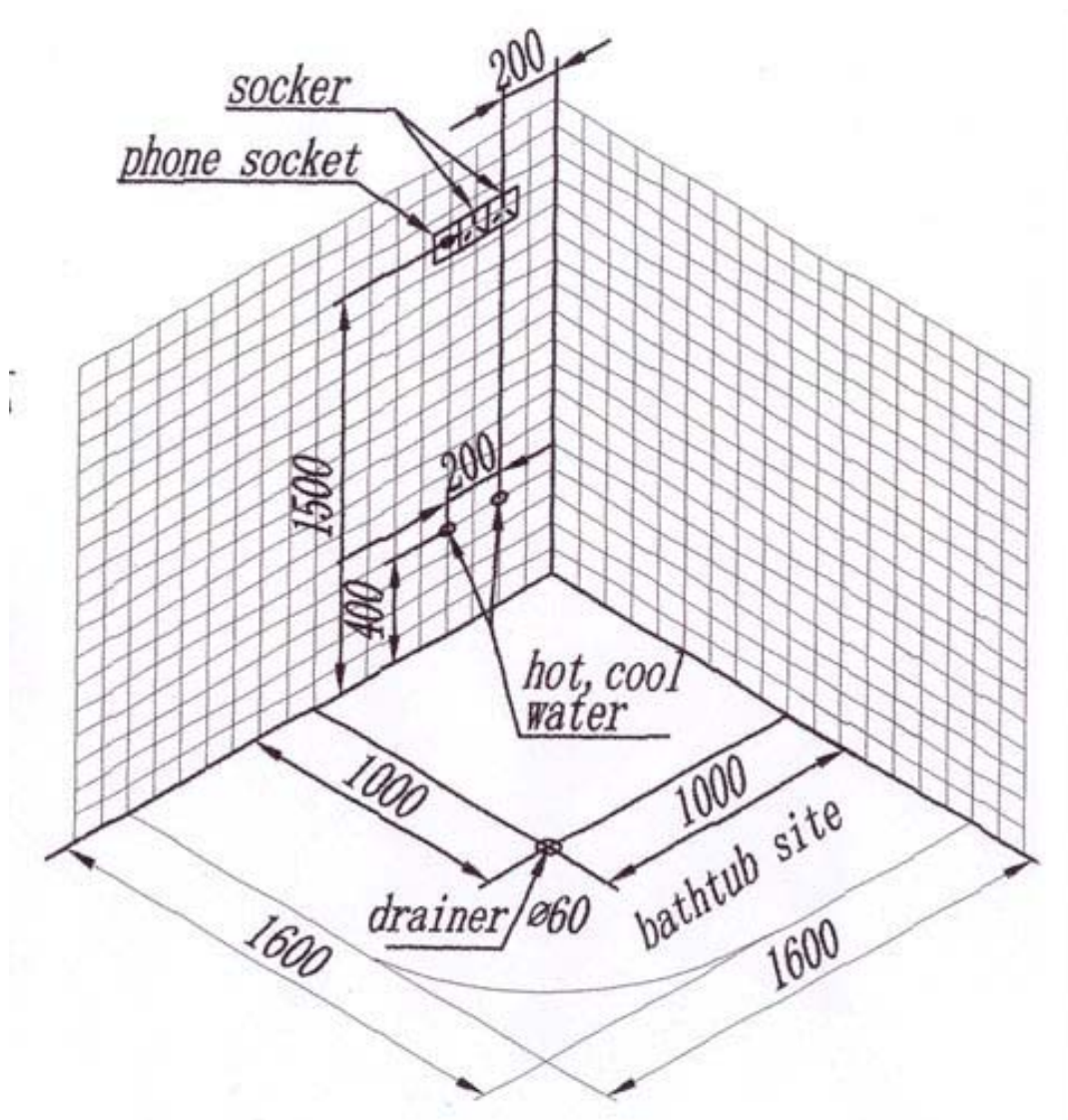


Fig. 1

## 2. Installation Steps

1. Adjust the bottom-feet ---move the bathtub to the suitable place, adjust the bottom of the screw, make it down to the ground. (As the Fig.2)

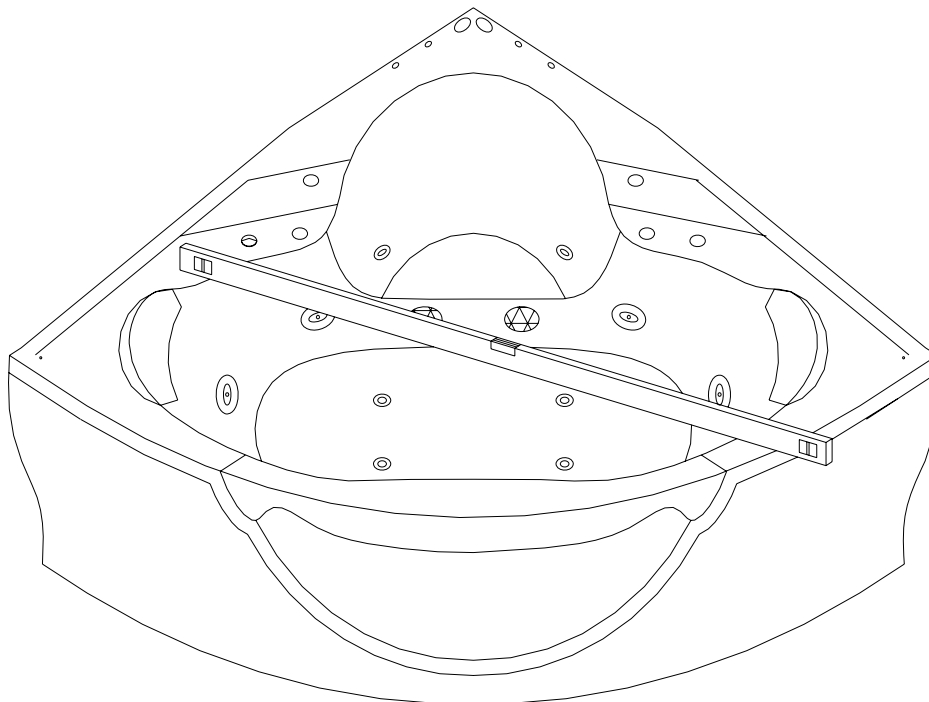


Fig. 2

2. Adjust the level — —using the level ruler on the surface of the bathtub to see whether the it is on the level. If it's not on the level (as the Fig.3), tweak to loose the tight bottom screw, adjust the height of the screw to make the bathtub on the level (as the bladder on the middle of the level- ruler), and then screw down it. This step is very important, if the level isn't adjusted, it will make the bathtub sloped and not fastness and find the installation of the screw is difficulty and any other problems.

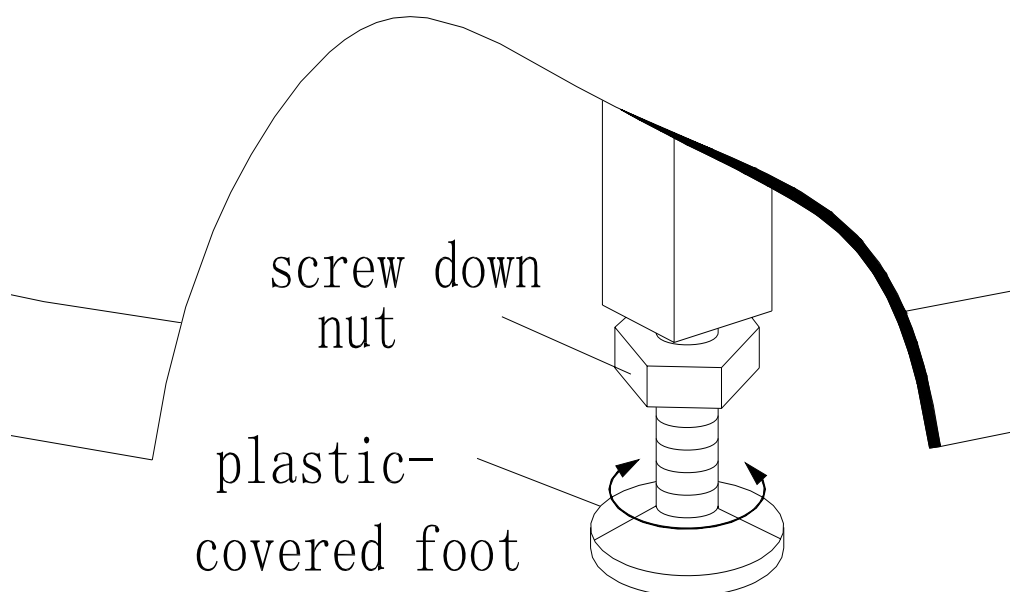


Fig.3

3. Install the mid-wallboard---use 4-5 sets of M6×30 bolts to pull on the holes in the back of the mid-wallboard, make the mid-wallboard connect to the tub. (As the Fig.4)

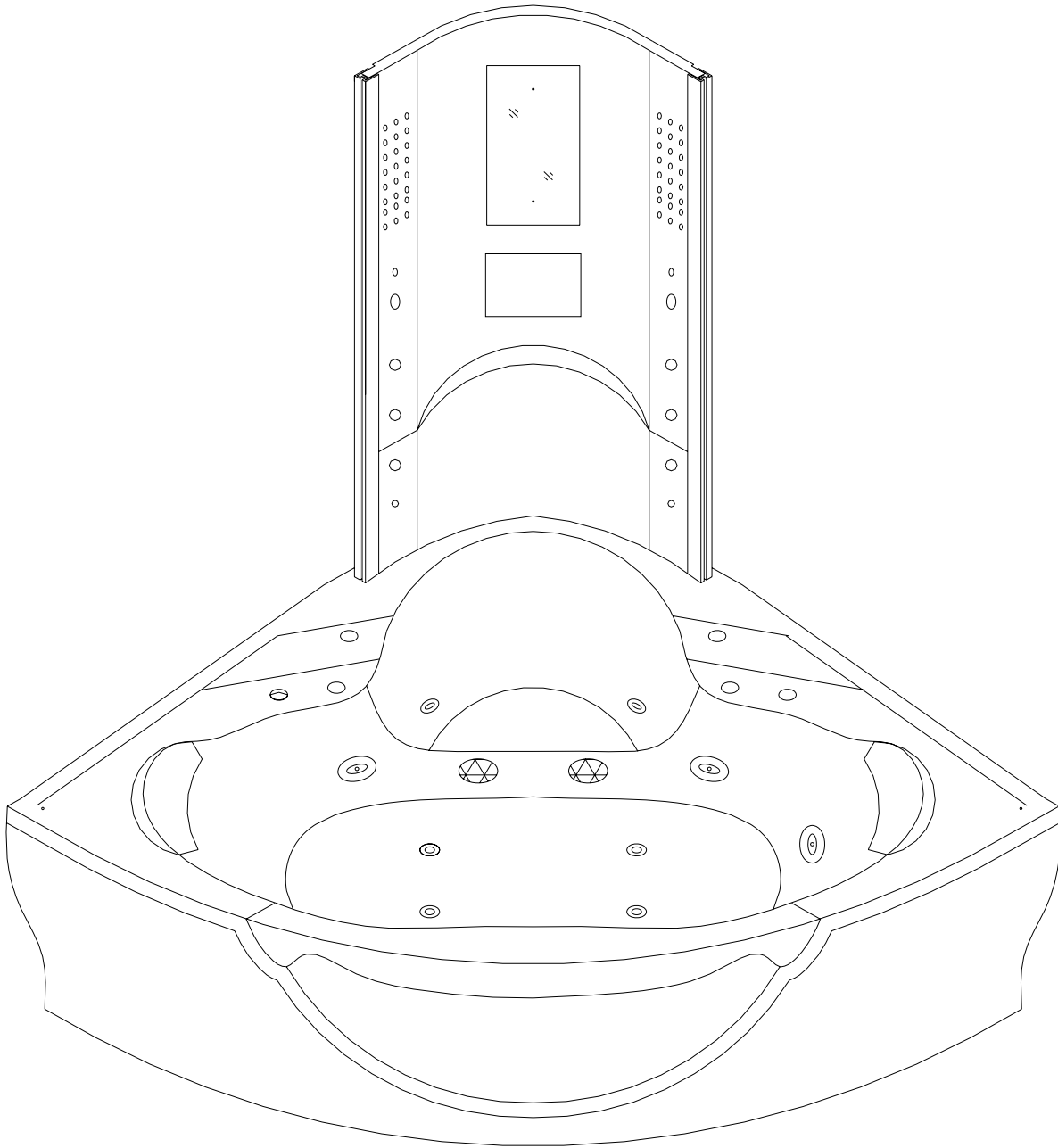





Fig. 4

4. Install the door assembly--- put the two ends of the rail into the trough of the side aluminium, using the bolt to fix. Put the front aluminium into the trough of the rail, using the tapping screw to fix ; put the fixed glass between the side aluminium and front aluminium, using the same method to connect the up rail and the down rail. Install the  to the trough of rail which installing the glass. Install the eccenters to the end holes of the sliding glass, put the handle into the middle hole, install the magnet strip by the side of the handle , install the  to the other side. Hang the eccenters which are in the head of the sliding glass into the trough of the rail, and then adjust the bottom eccentric, make the bottom eccentric hang into the trough of the rail. (As the Fig.5)

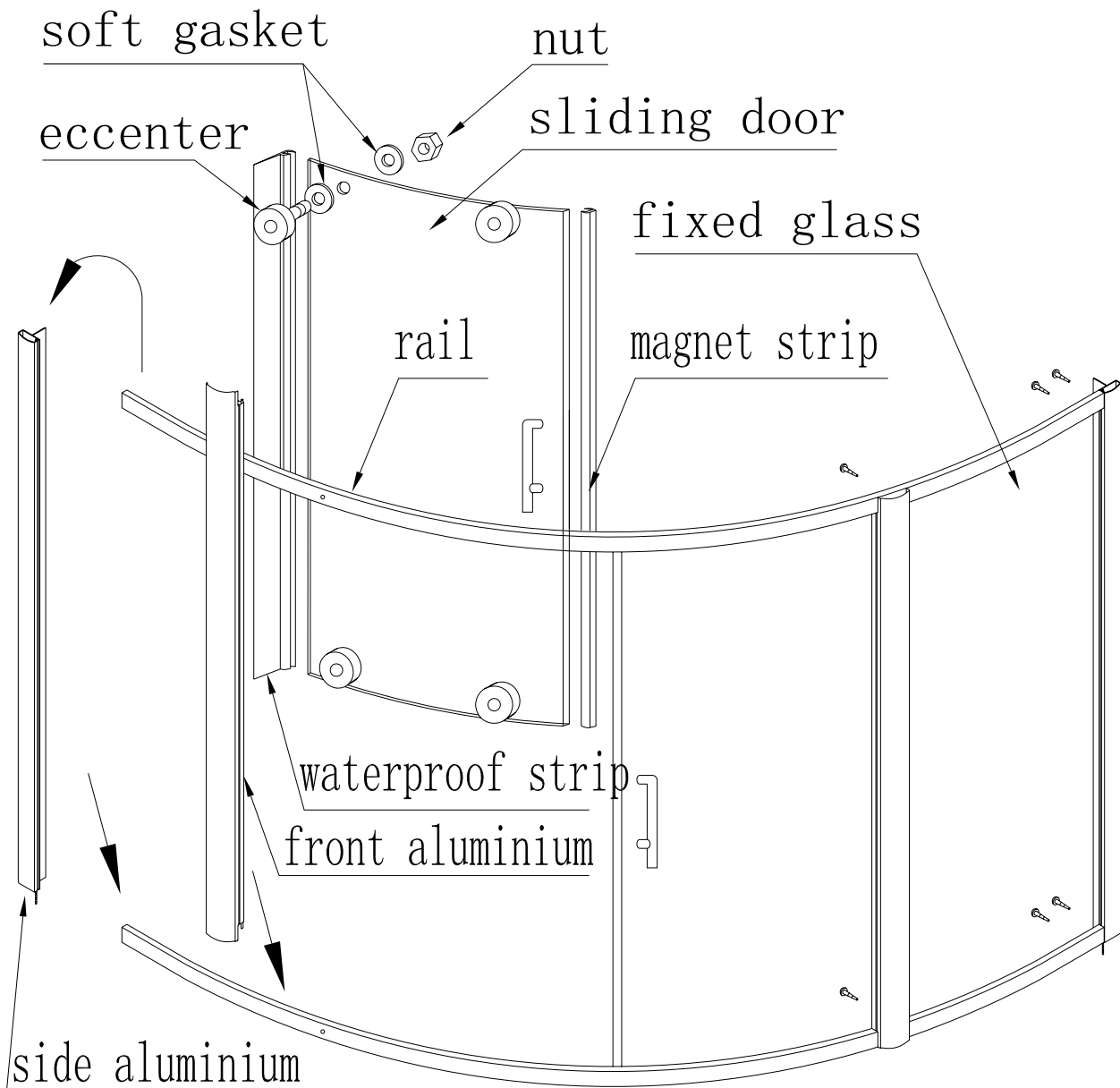


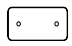



Fig.5

5. Install the door assembly and the glass—Put the door assembly onto the tub, install the rack , towel rack , foot massage machine  and other parts onto the left and right side glass. Put the side glass into the aluminium trough of the two sides of the mid-wallboard. The other side, use the 4-M6 bolt to connect the holes of the side aluminium, put the  into the two ends of the side glass. (As the Fig.6)

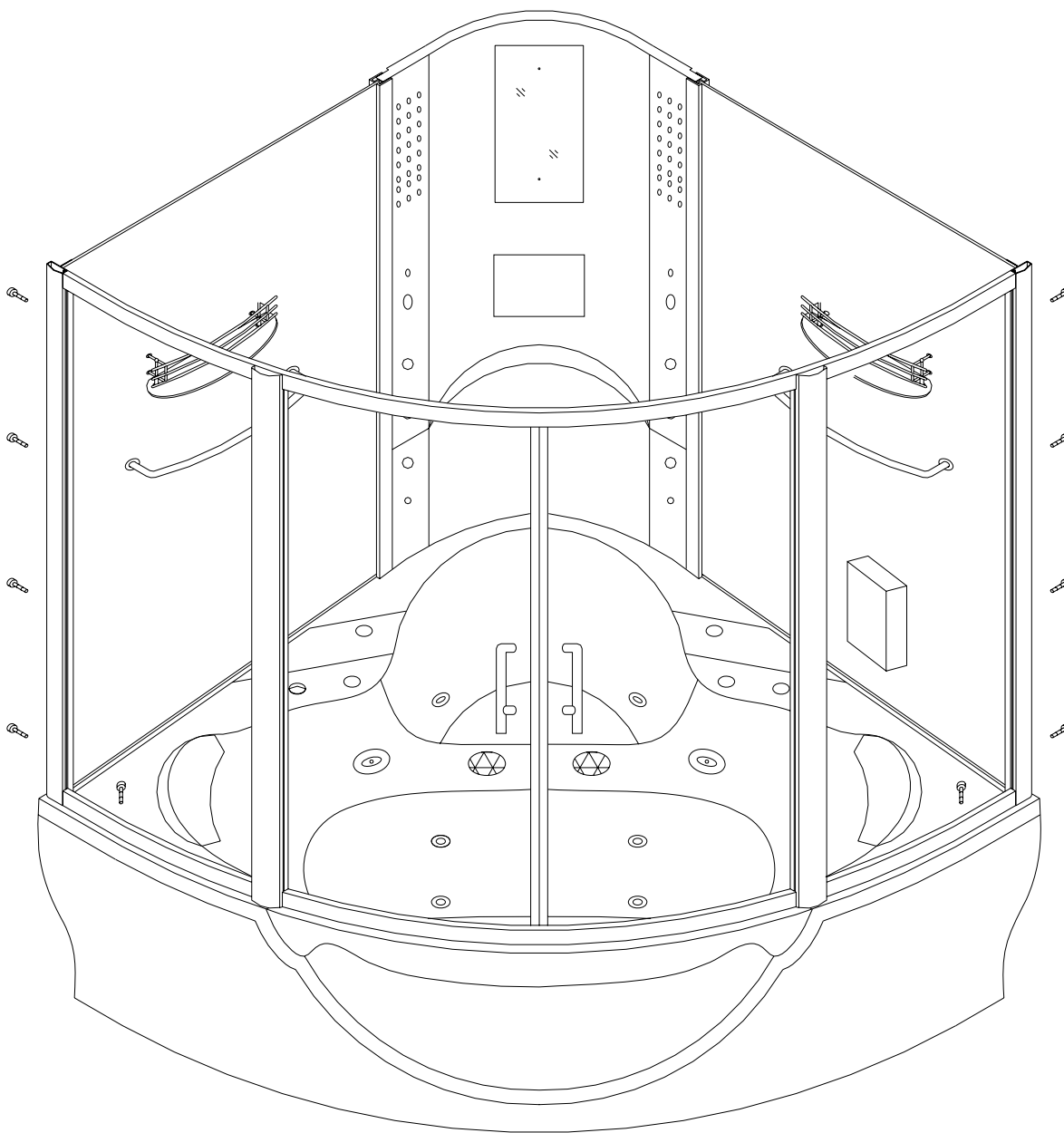


Fig.6

6. Install the coping---Put the coping on the head, use the 4-M6 bolts to connect the coping with the mid-wallboard, use the ST4 x15 to connect the coping with the rail. (As the Fig.7)

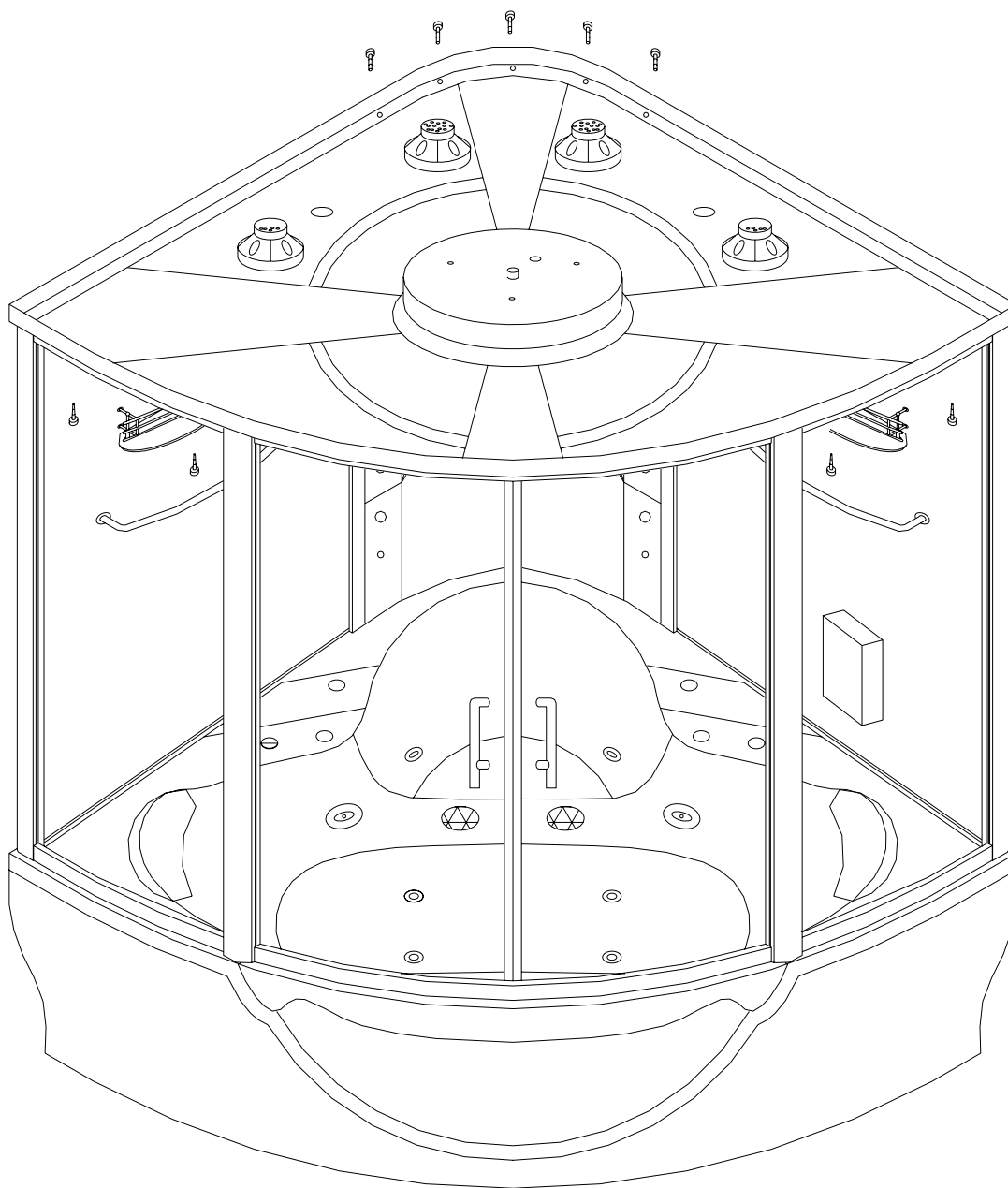
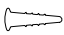
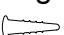


Fig.7

7. Adjust the position of the door assembly, side glass, and mid-wallboard, make them not deflective. Slip  into all the gap which in the connection trough between all the glass and the aluminium, and press the  tightly.

8. Install the stainless steel pillar ----install 2 spray nozzles, one horizontal pole of the hand shower, small round slice ,etc, one end of the nozzle downwards , insert the top into the hole of the top cover first , then connect the under part with the switch in the bathtub by revolvable nut of itself. Seeing Fig. 8 in the position showed in Fig. 9.

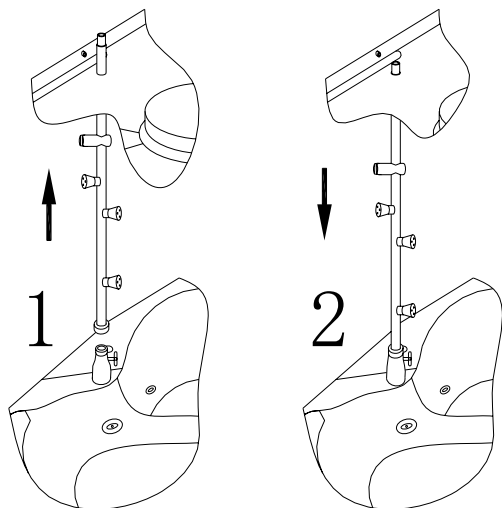


Fig.8

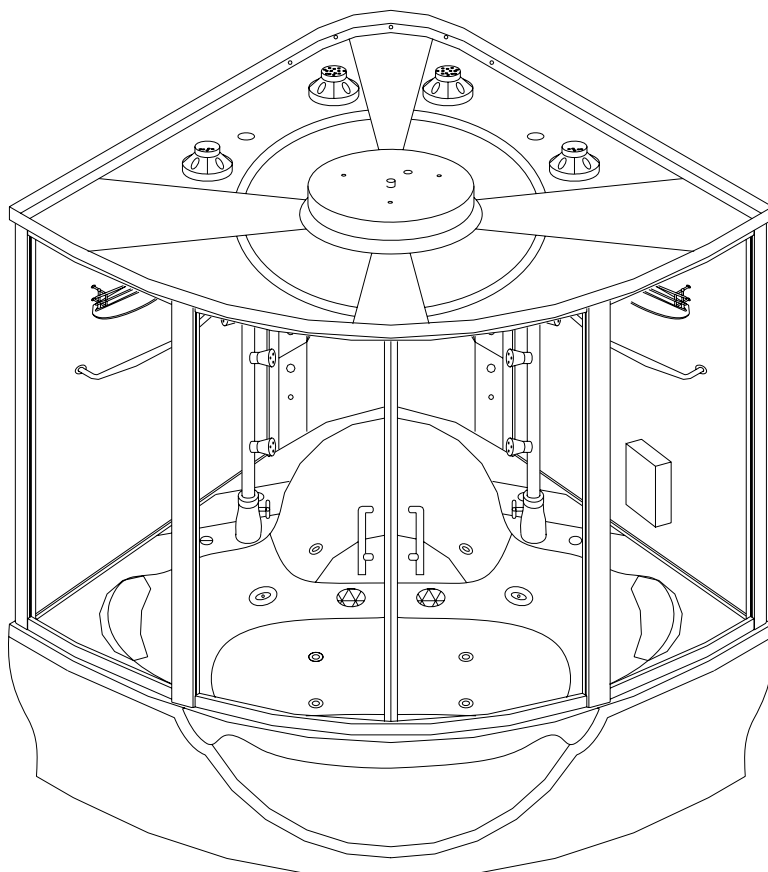


Fig.9

9、Join the water pipe-----Please join the water pipe according to the waterway illustration.  
 (As the Fig.10)

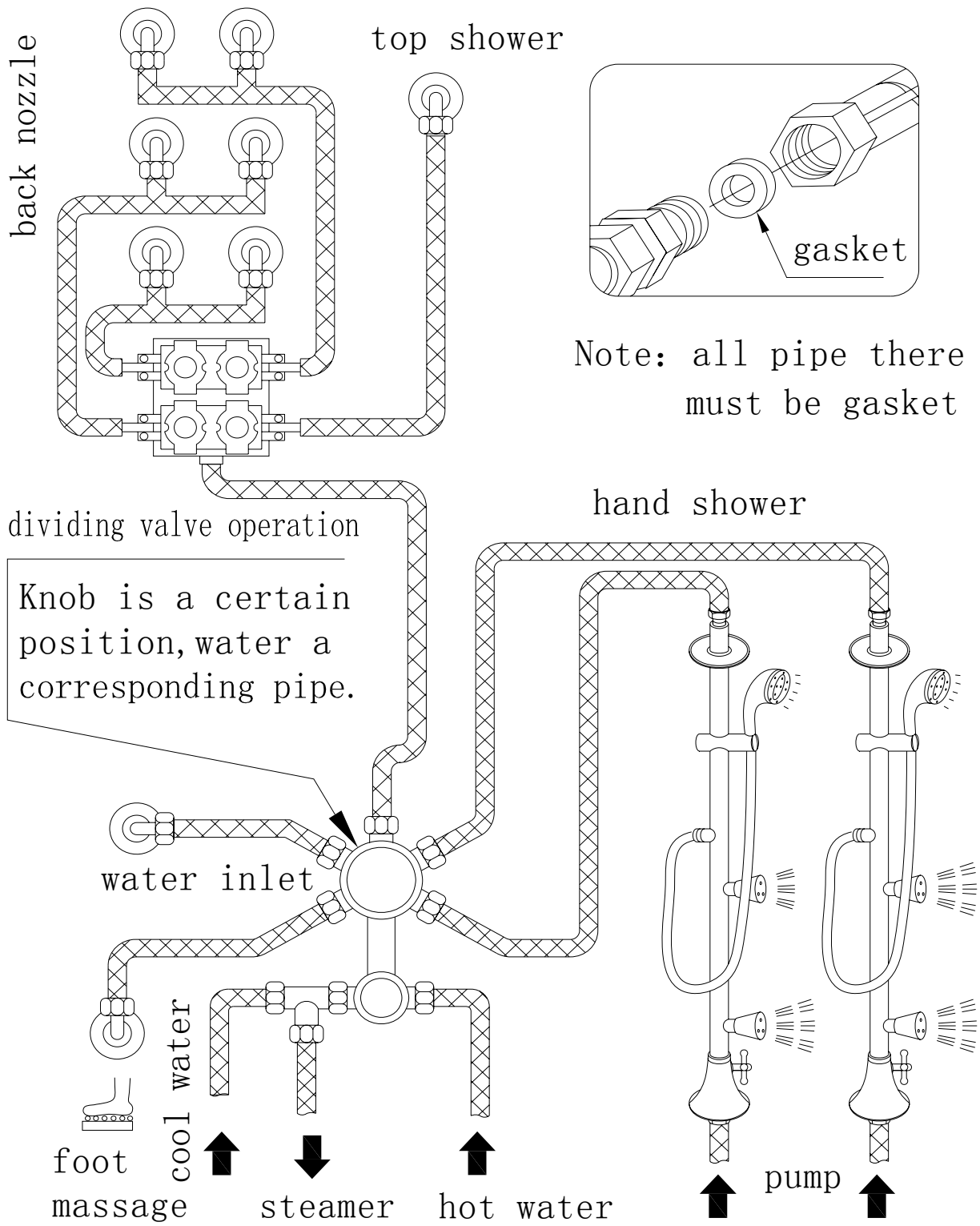


Fig.10



11、 The circuit joining----connect the electric wire according to the identification on various kinds of electric wires' connector, after inserting the plug, press rubber button of plug to electrify.

12、 using the glass silicone sealant to seal: Put the glass silicone sealant in all connection gaps, especially the joint of the room body and the bathtub, so as not to leak water, steam. Before the glass dried, don't touch and move the room body.

### **3、 Regular maintenance**

1、 Please keep the bathtub clean, unscrew the cover of the outlet of the drainer regularly, clear up the hair and filth, in case the drainage pipeline be jammed. Before using each times, wash the pipeline once with the branch water first.

2、 Can scrub with liquid detergent and soft cloth while cleaning. Must not use the chemicals such as the strong acid or the alkali etc., otherwise will damage the room body surface. Electroplate parts such as spray nozzle do not remain the detergent, otherwise the surface will present the green spots.

3、 The surface of bathtub will scale, scrub it with the soft cloth using a little citric acid or alcohol added some water.

4、 Can't bring metal pieces such as screw into the room body, these hard articles will injure the surface of the basin.

5、 If the room body surface have slight scotch or cigarette burn, polish with waterproof abrasive paper No. 1200 first, then use No. 2000 waterproof abrasive paper to polish carefully, finally use polishing lotion (automobile polishing wax or toothpaste) and the soft cloth to polish, resume surface smooth. But it can't polish the bottom of bathtub.

6、 If find out some foreign matter on the wall and the pillars, must not brush with the razor blade or the metal brush, you can scrub with the soft cloth added the sanitizer.