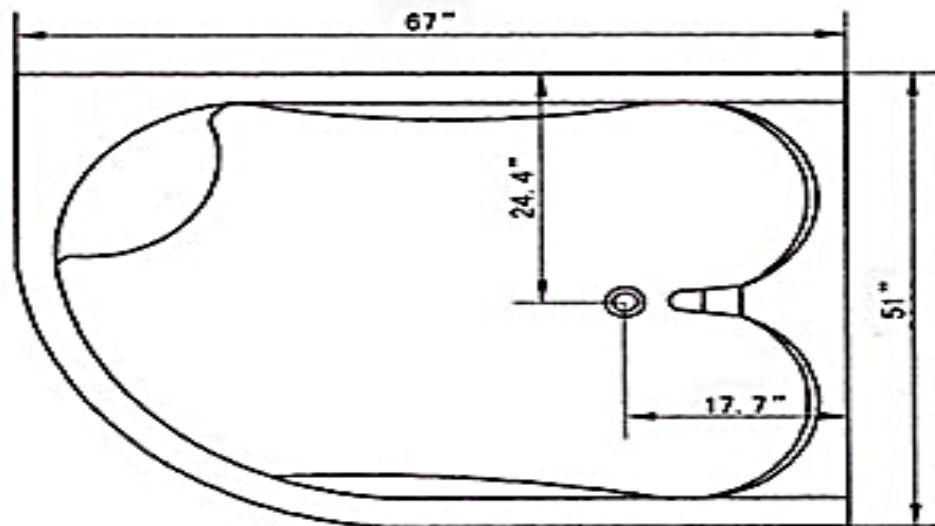
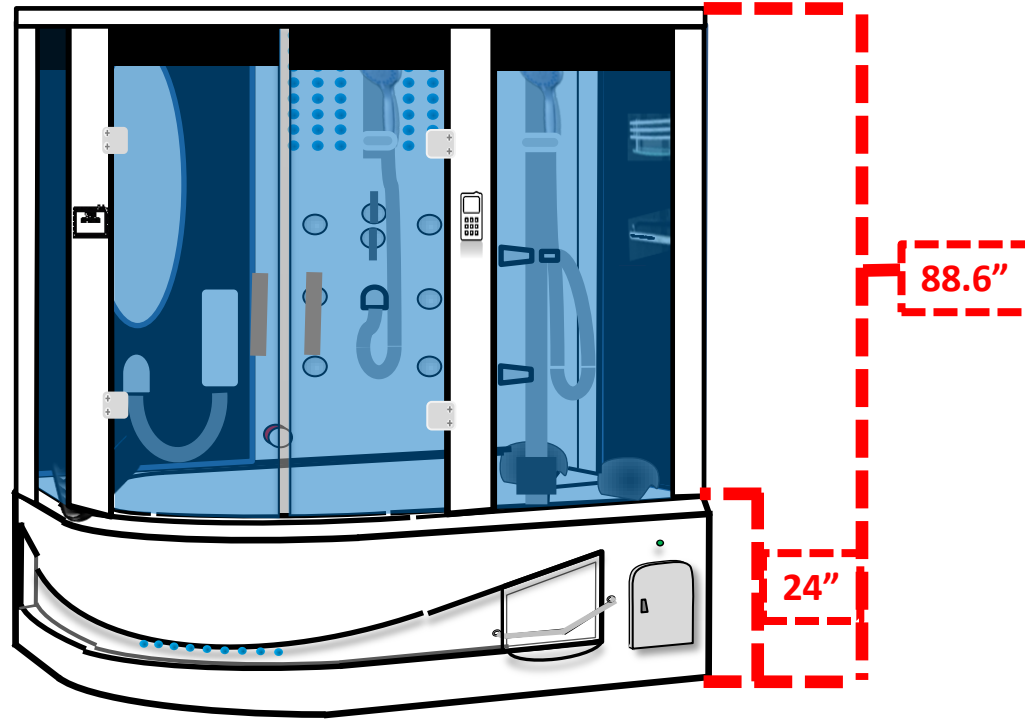
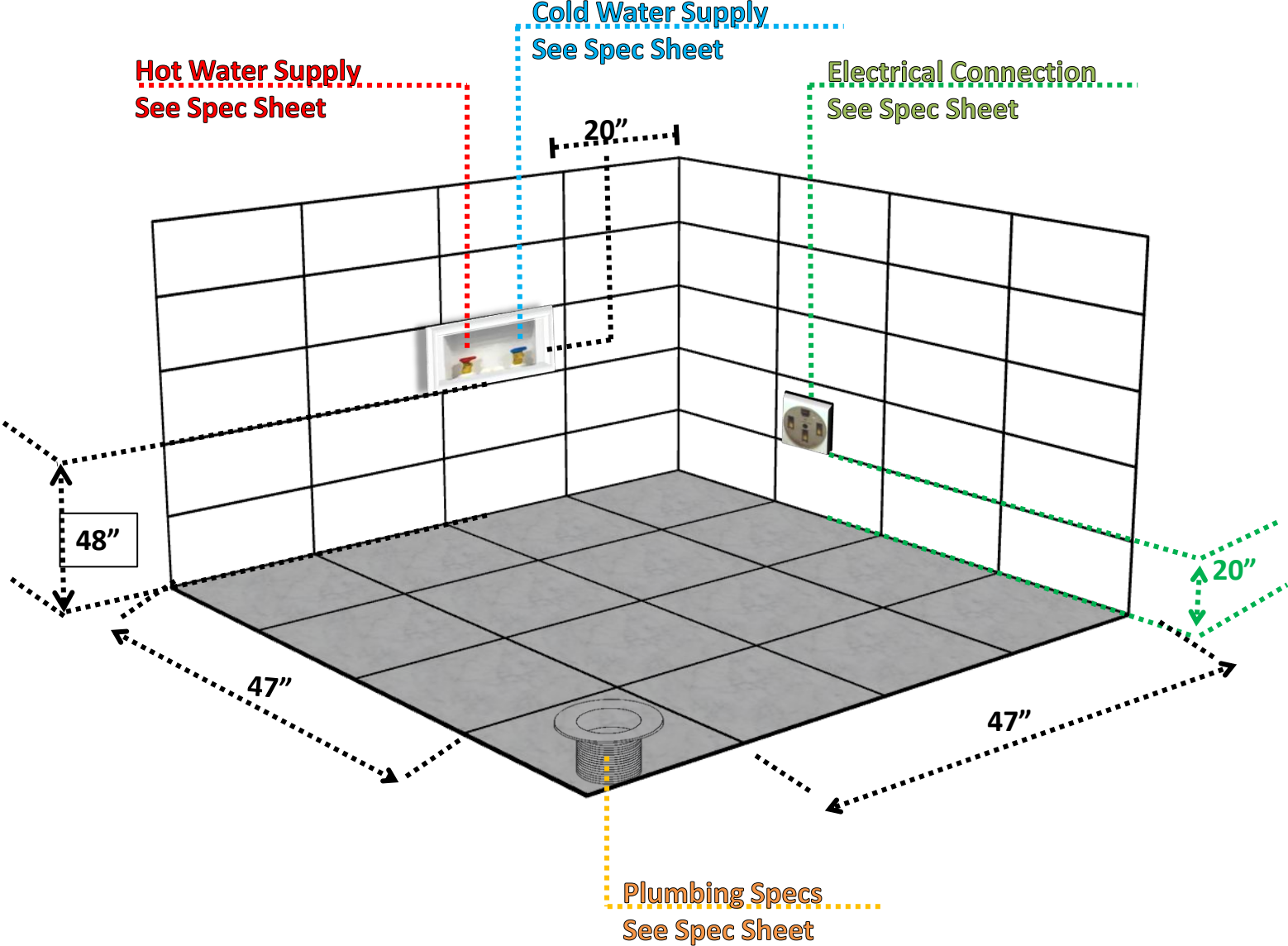


# Siena Specification Sheet



# SIENA STEAM SHOWER UNIT DIMENSIONS



**ELECTRICAL SPEC SHEET**

**TOTAL ELECTRICAL REQUIREMENTS**

**Line 1: 220V - Dedicated 30A GFCI Breaker**

**Line 2: 220V - Dedicated 15A GFCI Breaker**

**Your electrical contractor should understand ALL legal requirements of connection before undertaking this  
installation**