



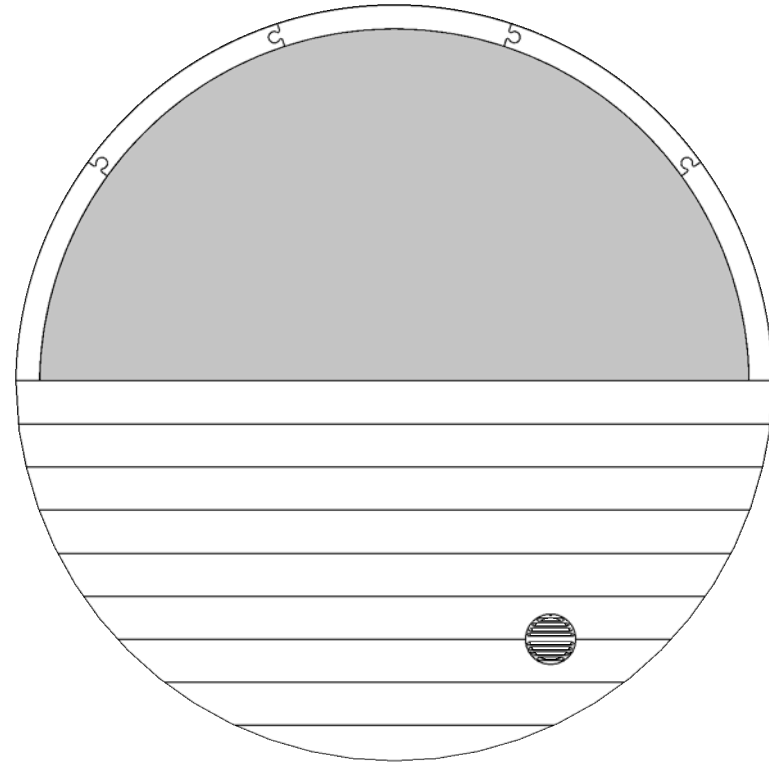
Ergo-Series E7W Barrel Sauna
Half Glass Window 71D" x 81H"



Note: Please read manual before construction

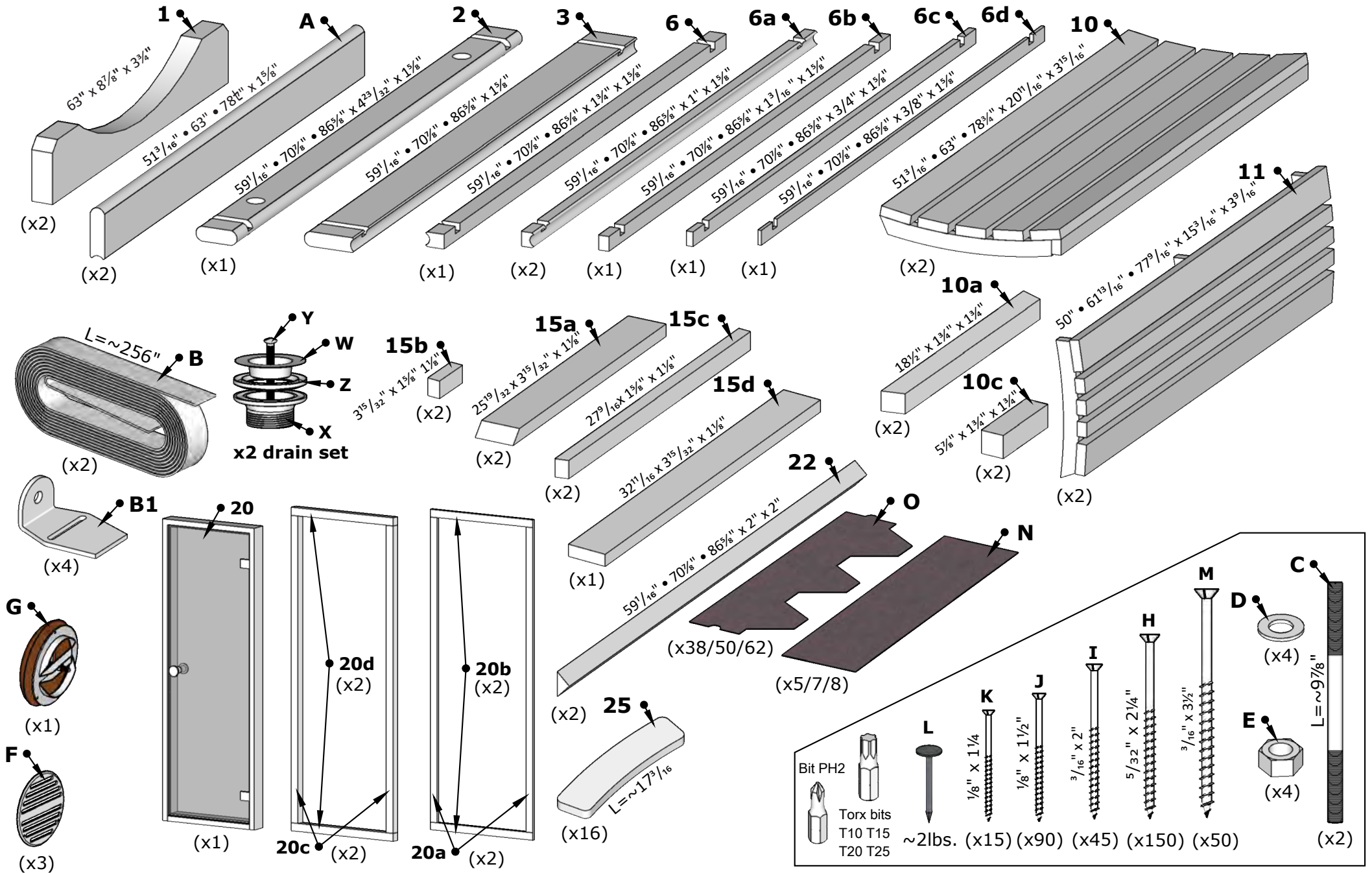
Rev 4/2023

Front & Back Walls

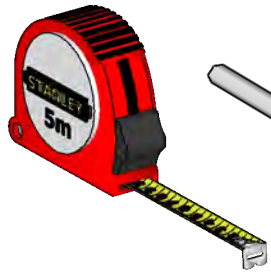


E7W Barrel Sauna 71D" x 81H"

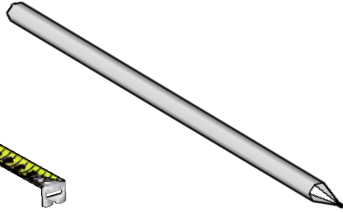
Details list.



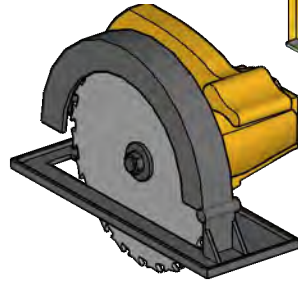
Tools needed



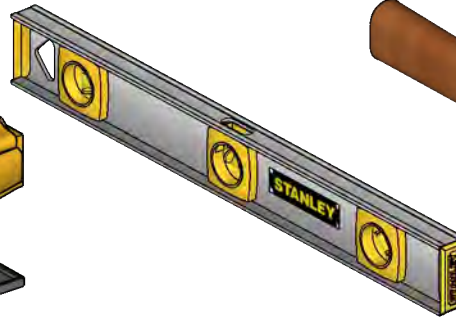
Measuring tape



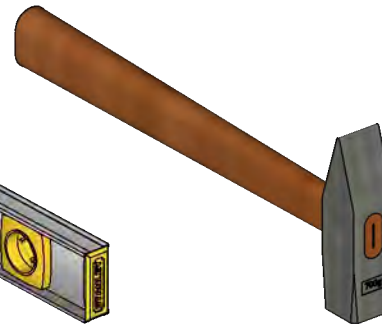
Marker pen



Circular saw



Water level



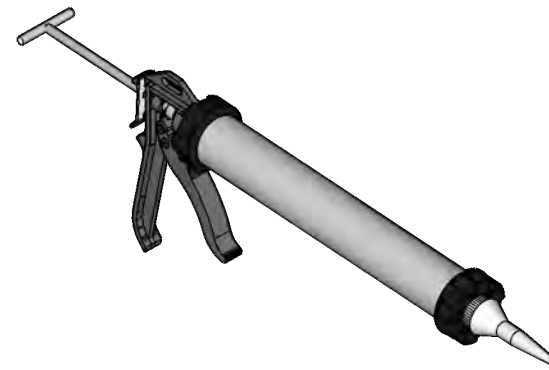
Hammer



Extra hands



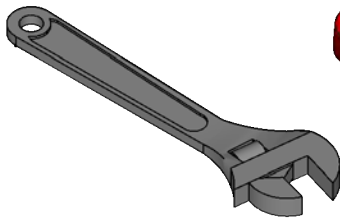
Ratchet strap



Silicone gun
(Only glass-wall models)



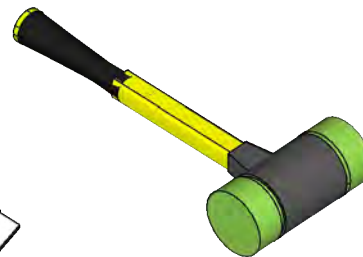
Drill



Crescent wrench

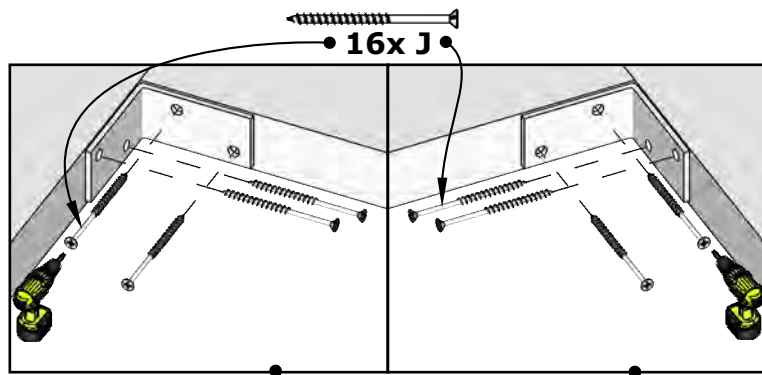
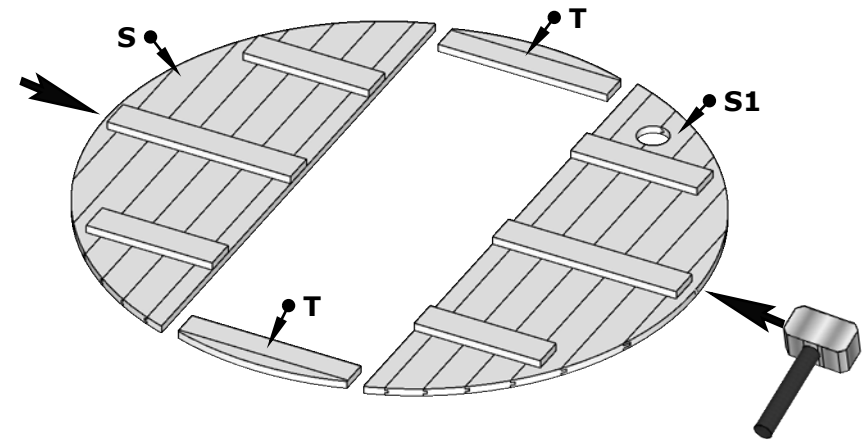
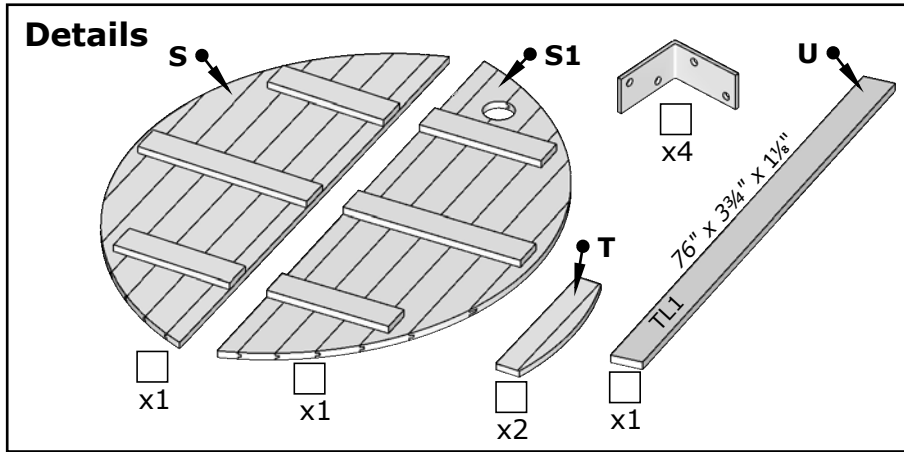


Utility knife

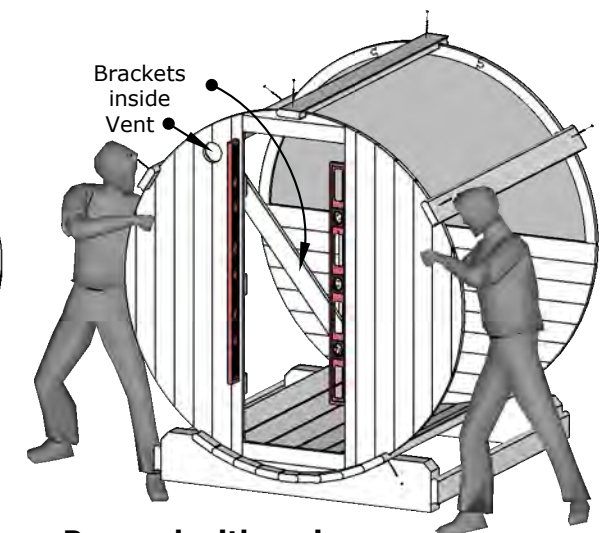
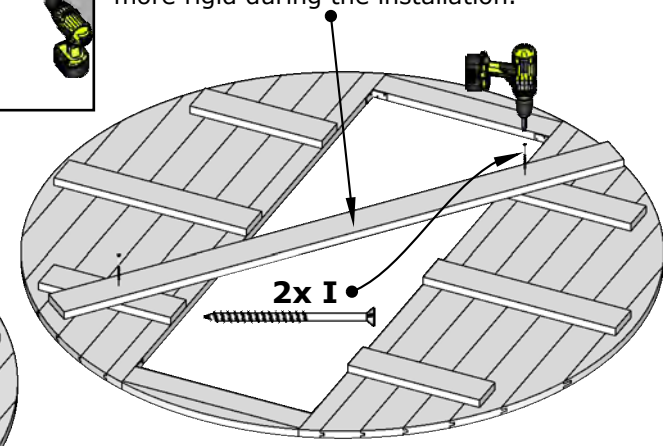


Rubber mallet

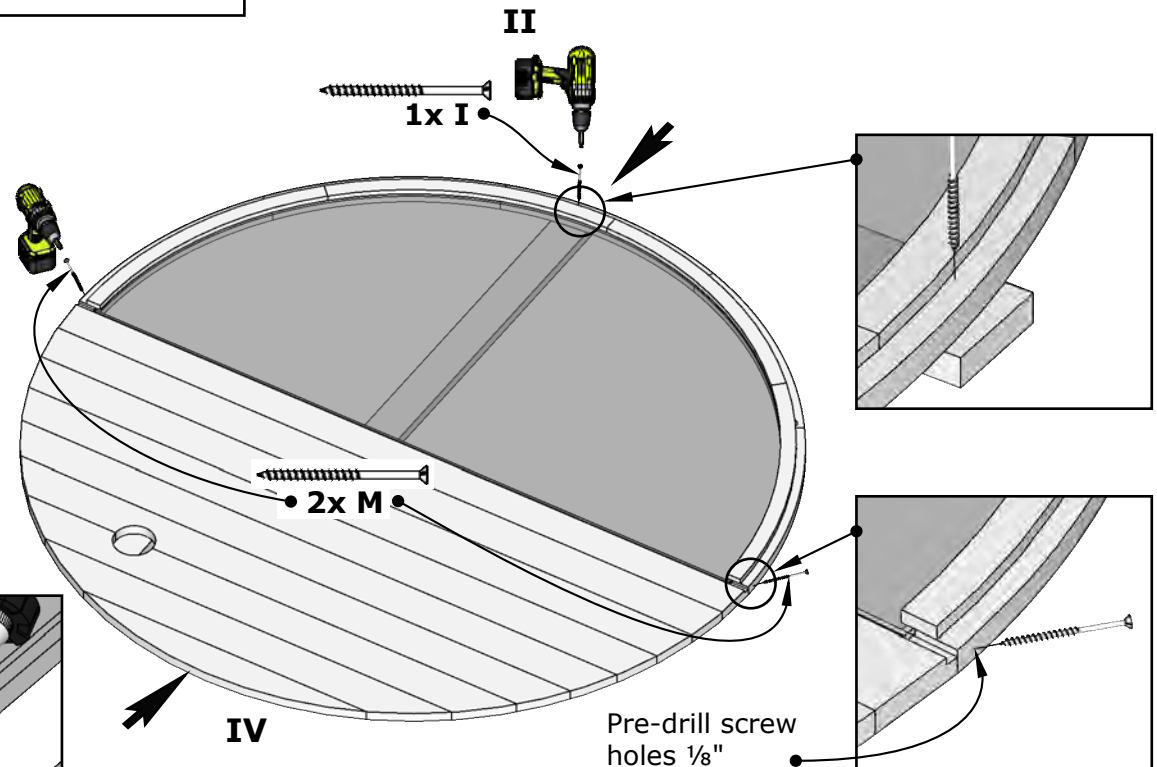
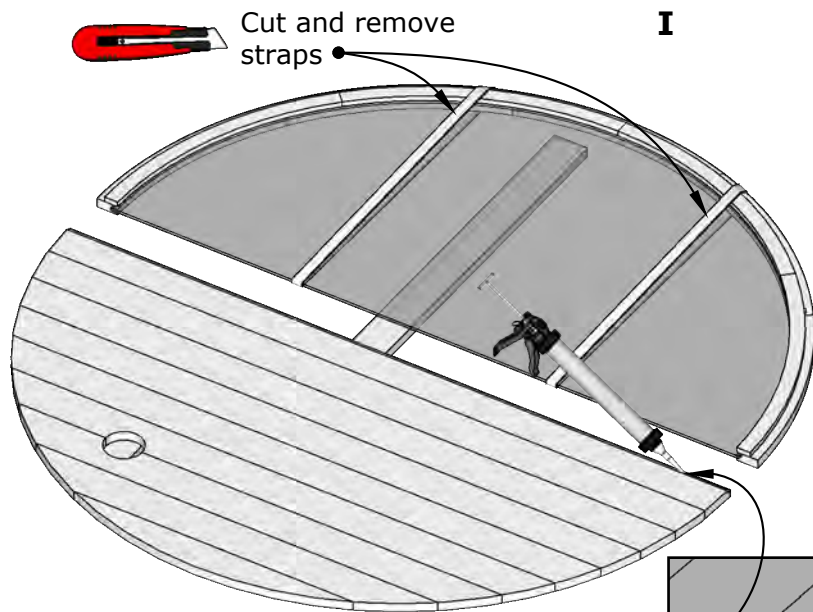
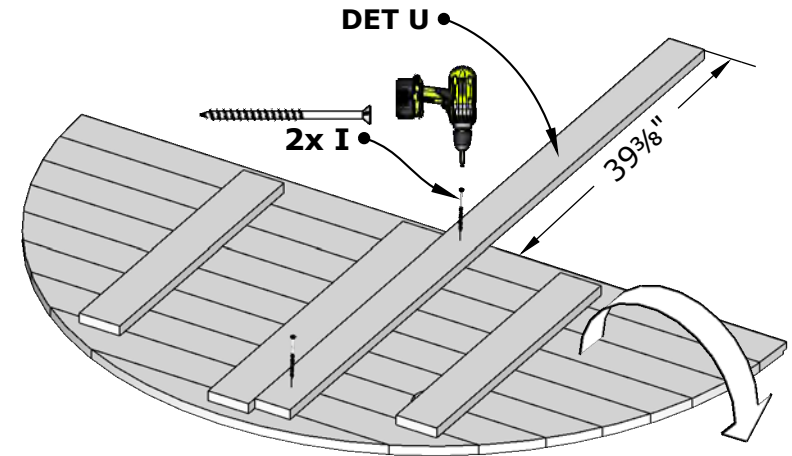
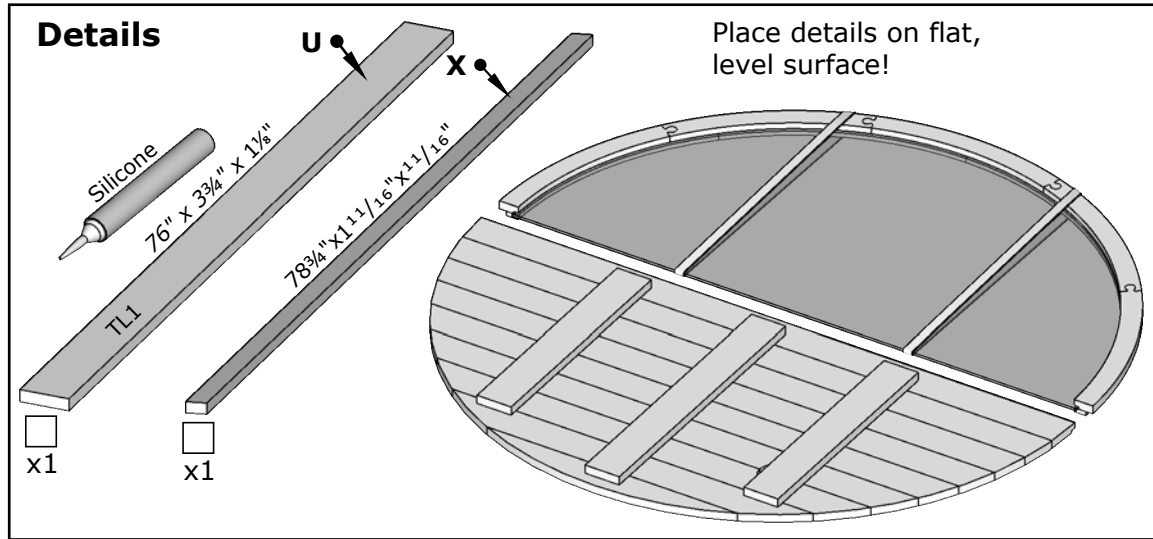
Wooden front wall installation



DET U Fix it diagonally to make wall more rigid during the installation.



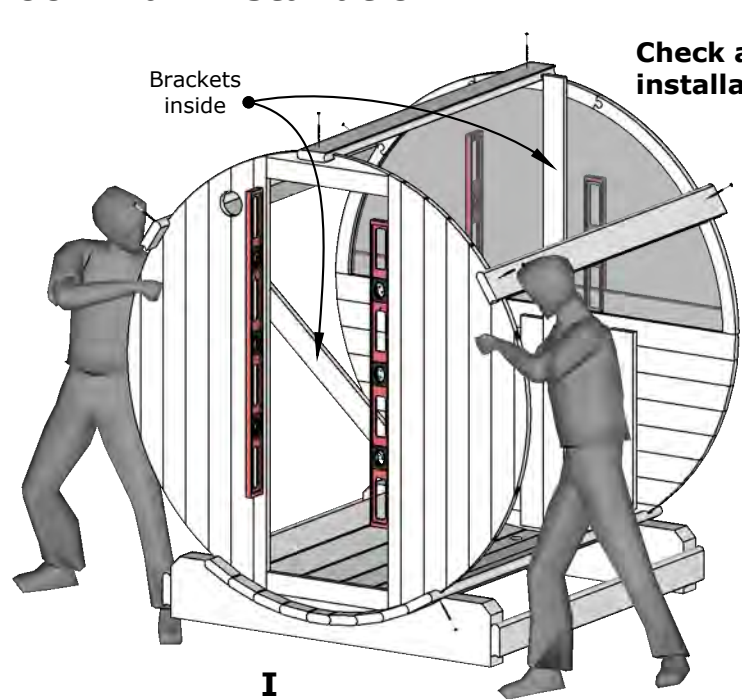
Half-moon wall installation



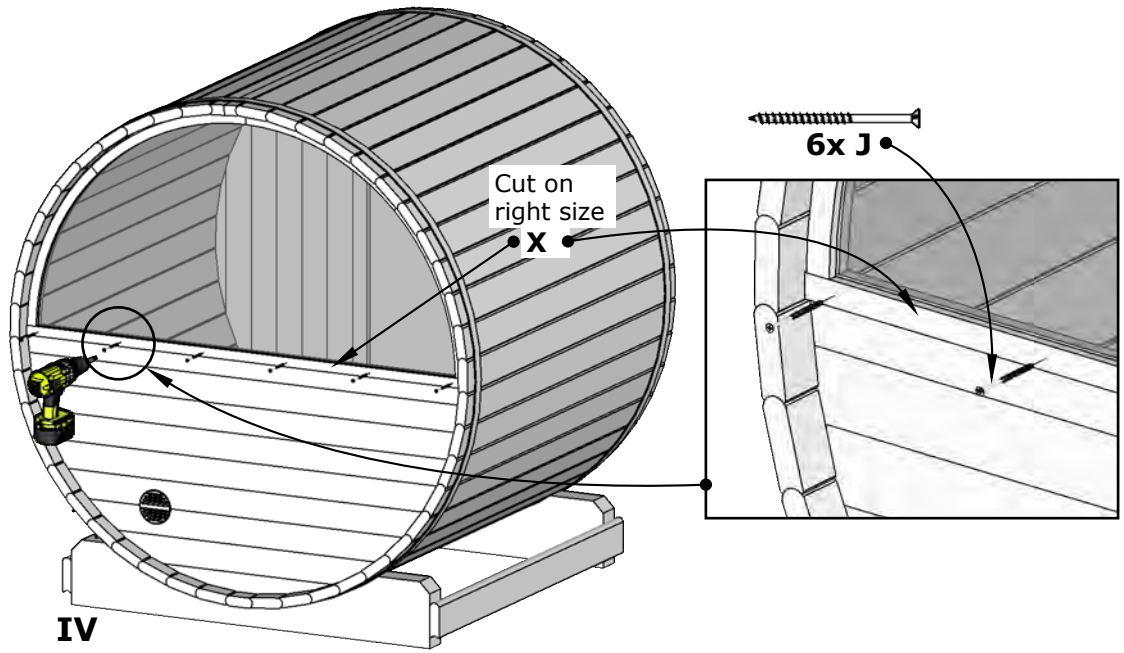
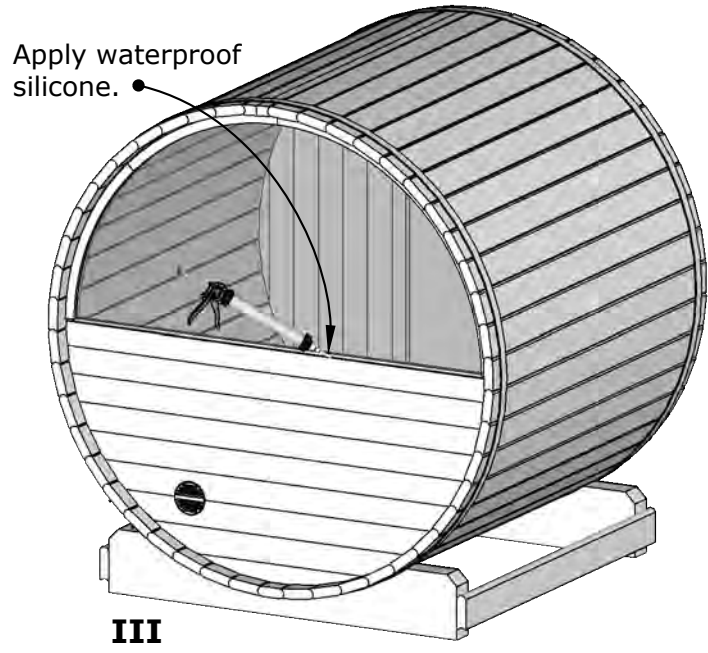
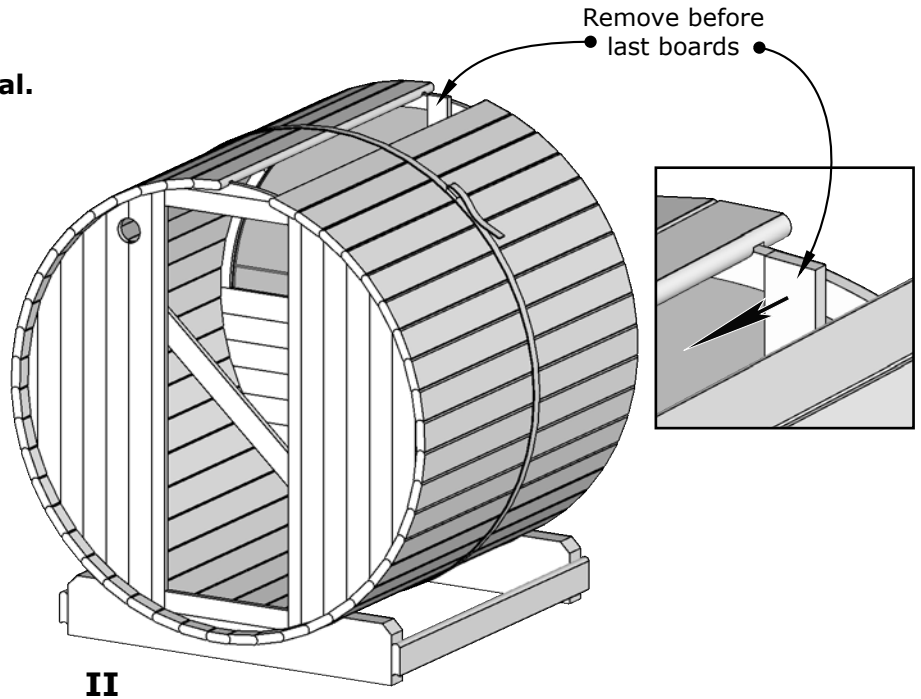
Apply waterproof silicone into the groove

WARNING: Do not let screws touch glass!

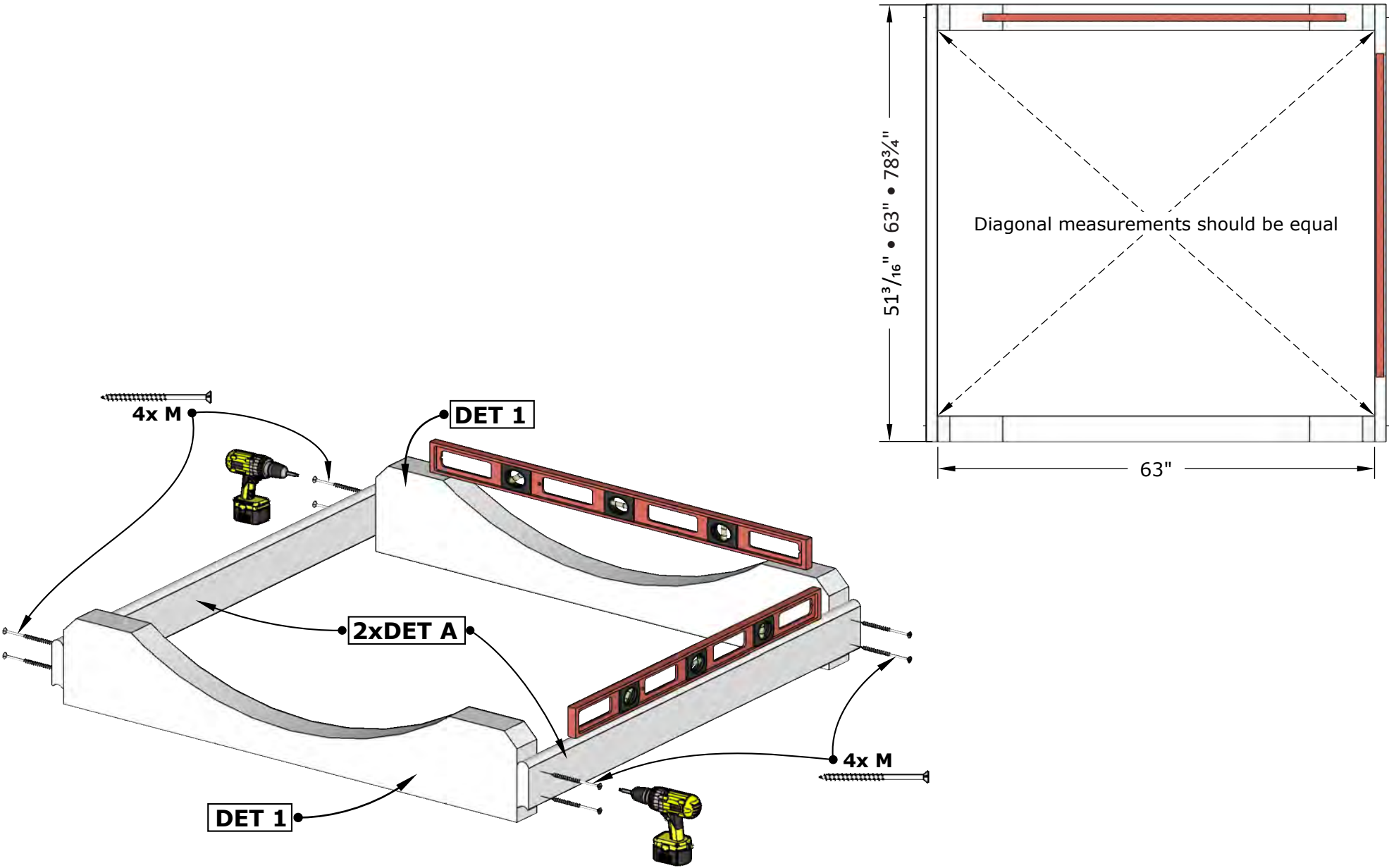
Half-moon wall installation



Check also main installation manual.

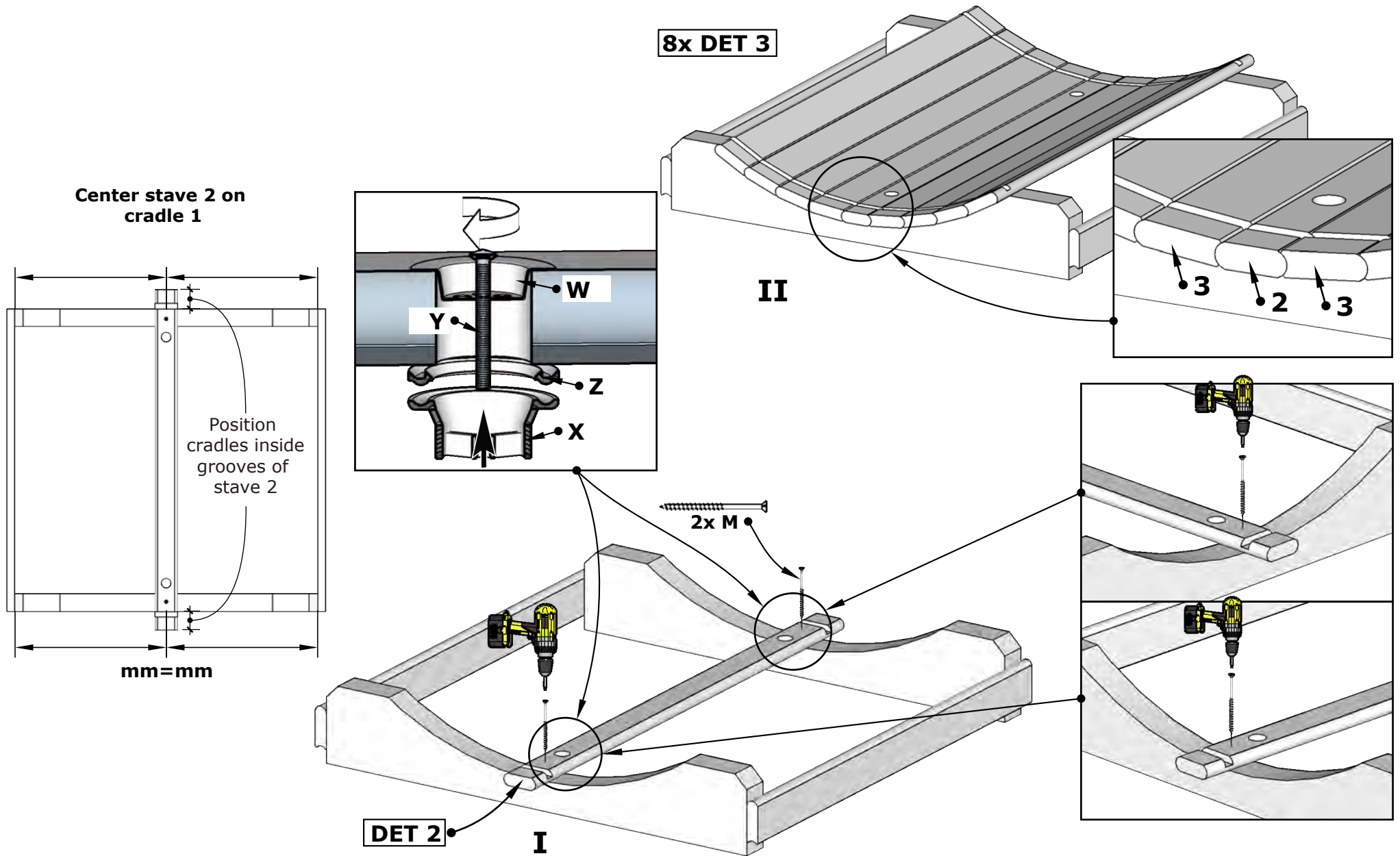


E7W Barrel Sauna 71D" x 81H"

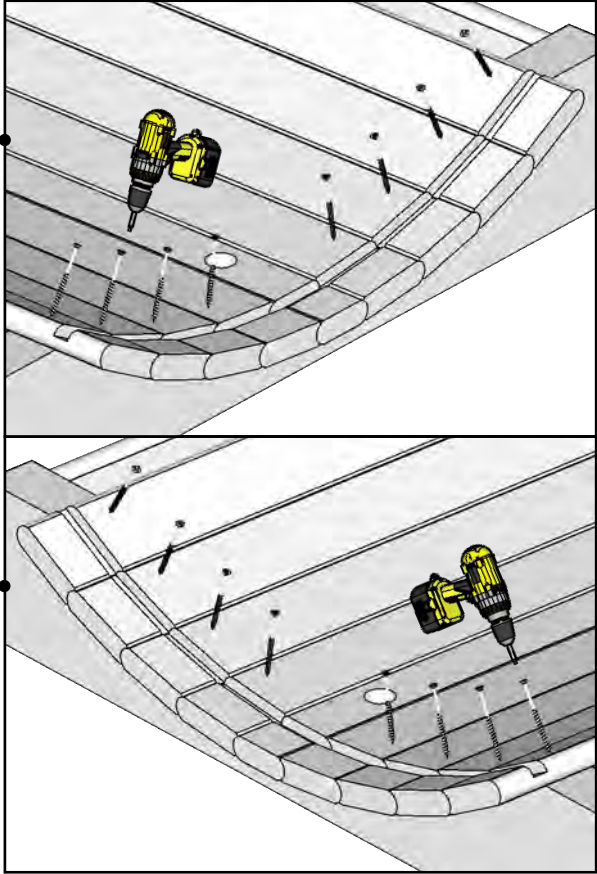
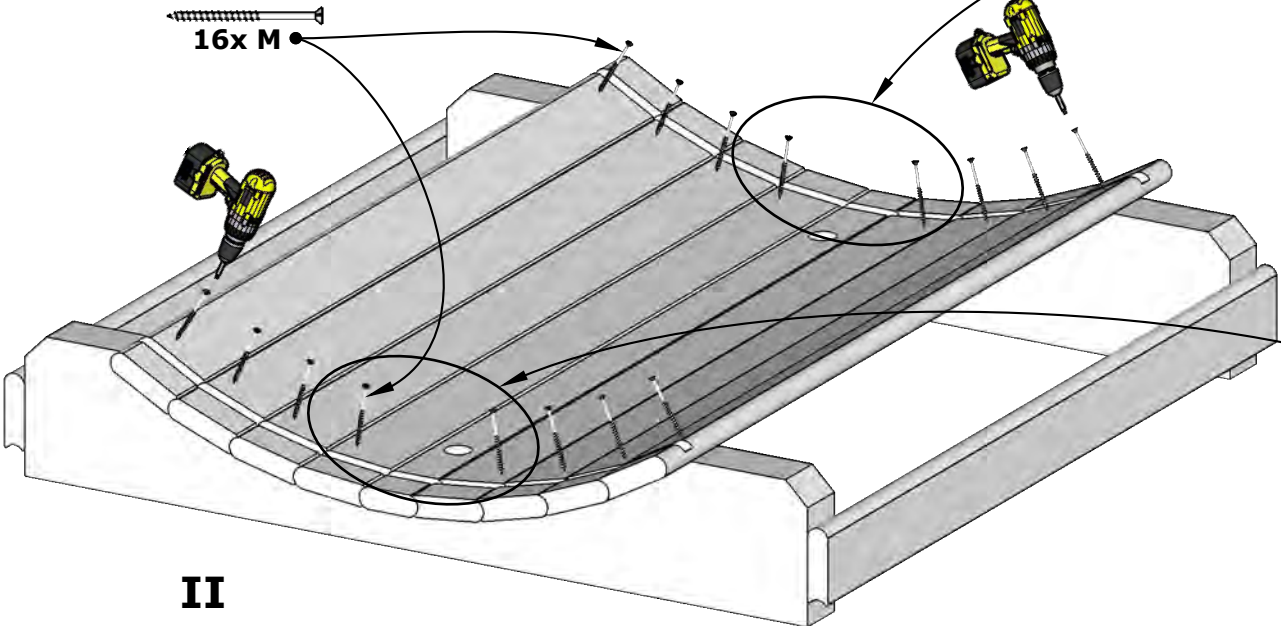
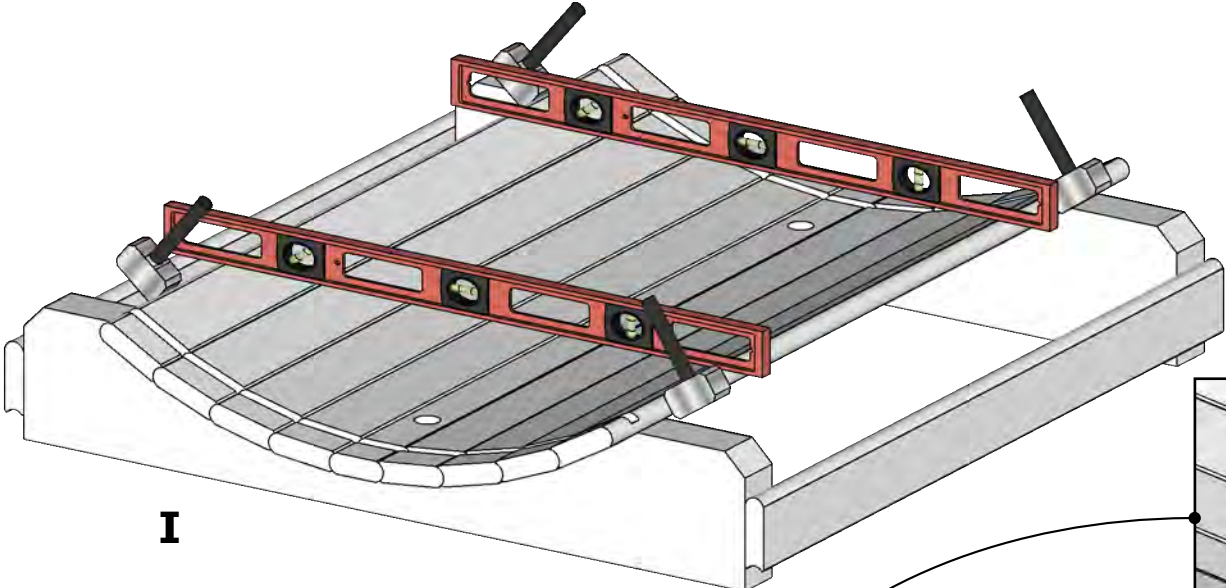


1.

E7W Barrel Sauna 71D" x 81H"

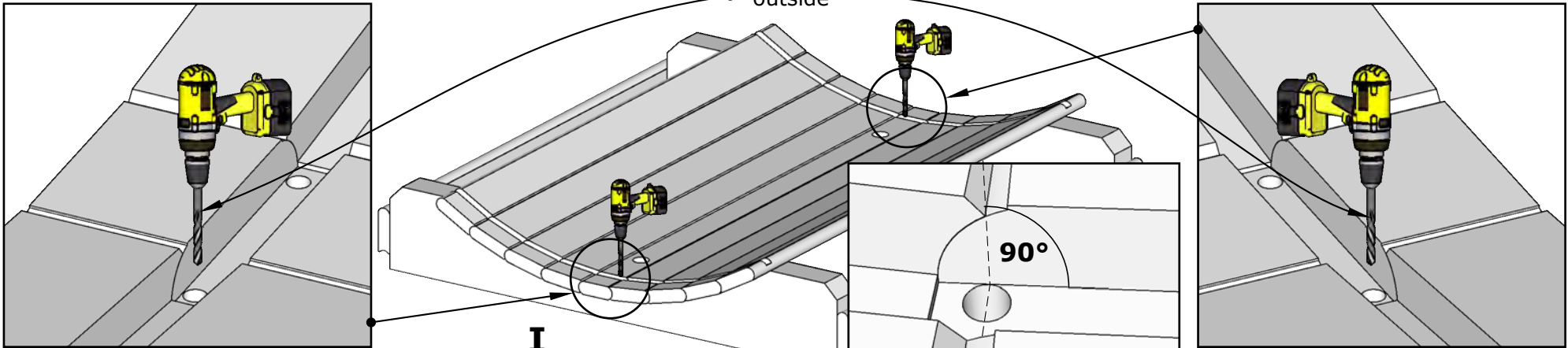


E7W Barrel Sauna 71D" x 81H"

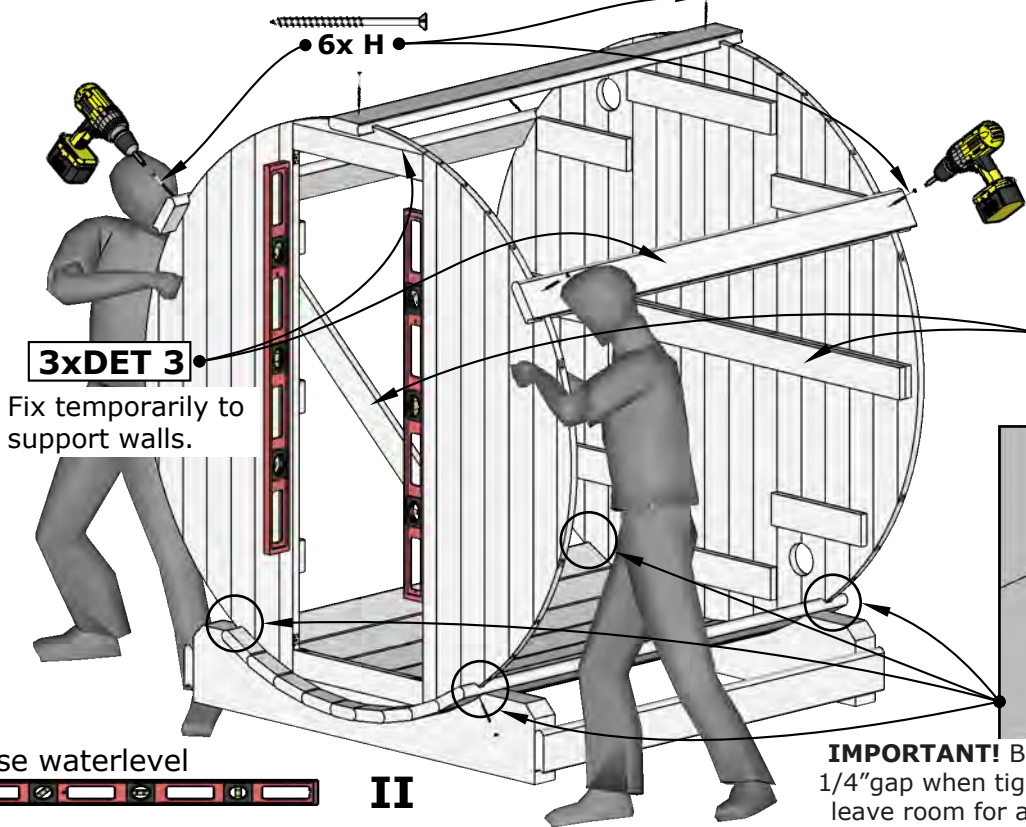


E7W Barrel Sauna 71D" x 81H"

Drill 4 holes $\varnothing 1/2"$
through DET 2
outside



I



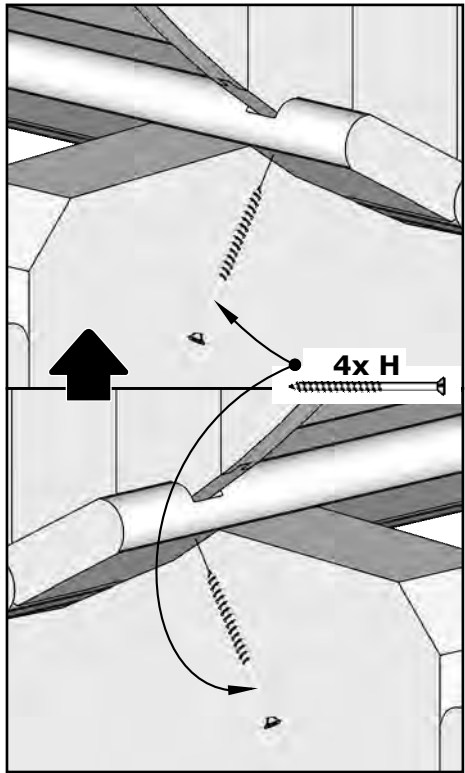
3xDET 3
Fix temporarily to
support walls.

6x H

**Check walls installation
manual on extra pages!**

**Sauna wall configuration
depends on Your model!**

Brackets inside



4x H

$\sim 1/4"$

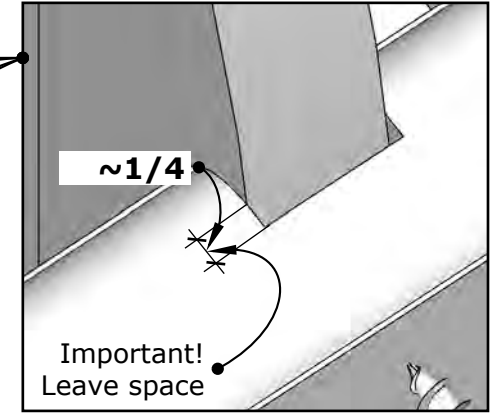
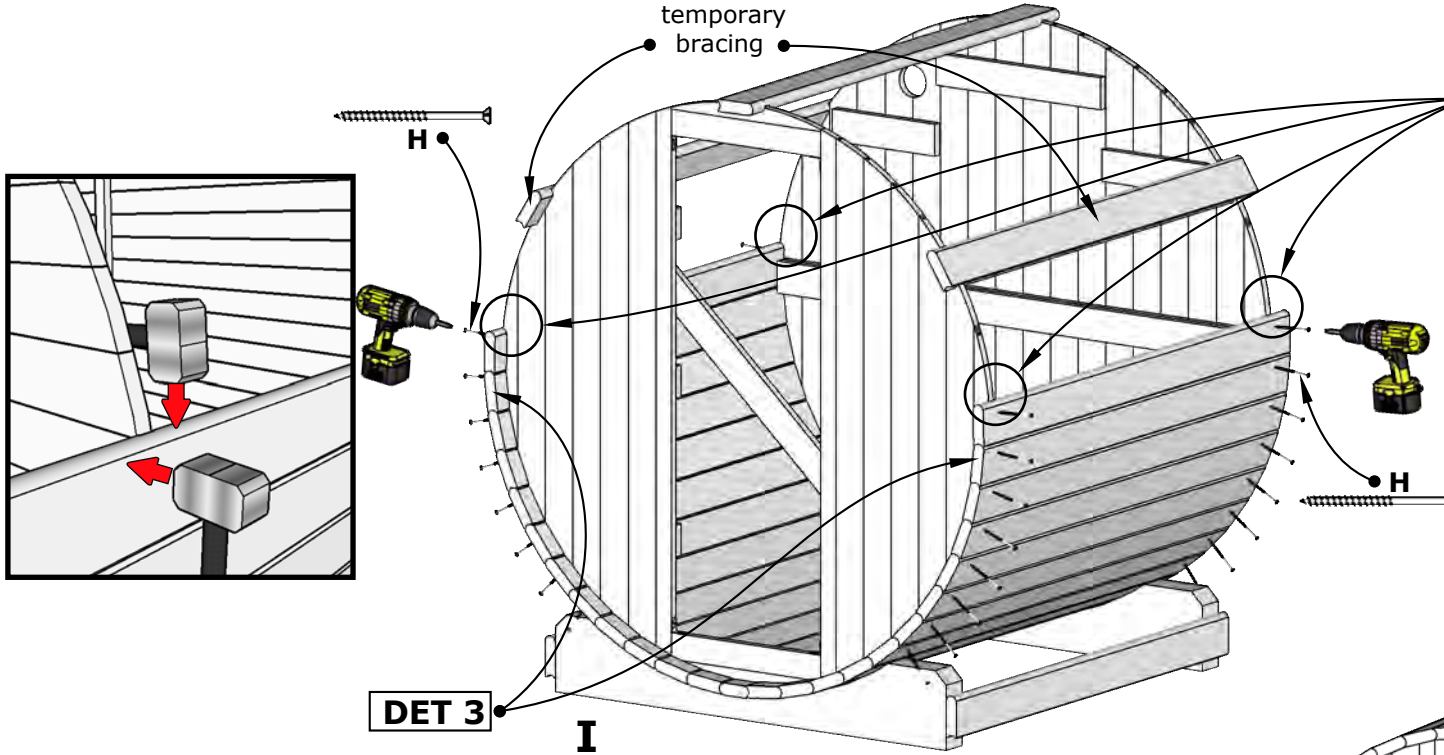
IMPORTANT! Be sure to leave a
 $1/4"$ gap when tightening screws to
leave room for adjustment when
the outer bands (B) are installed.



II

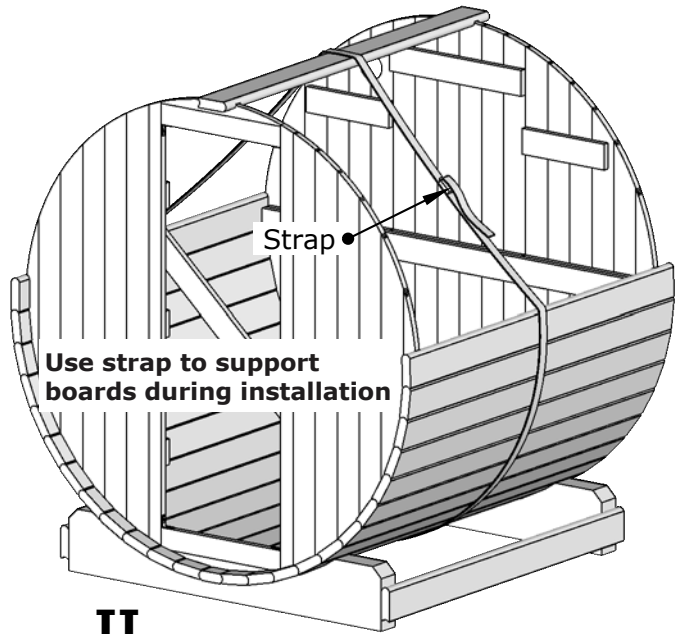
E7W Barrel Sauna 71D" x 81H"

Remove temporary bracing



IMPORTANT! Be sure to leave a 1/4" gap when tightening screws to leave room for adjustment when the outer bands (B) are installed.

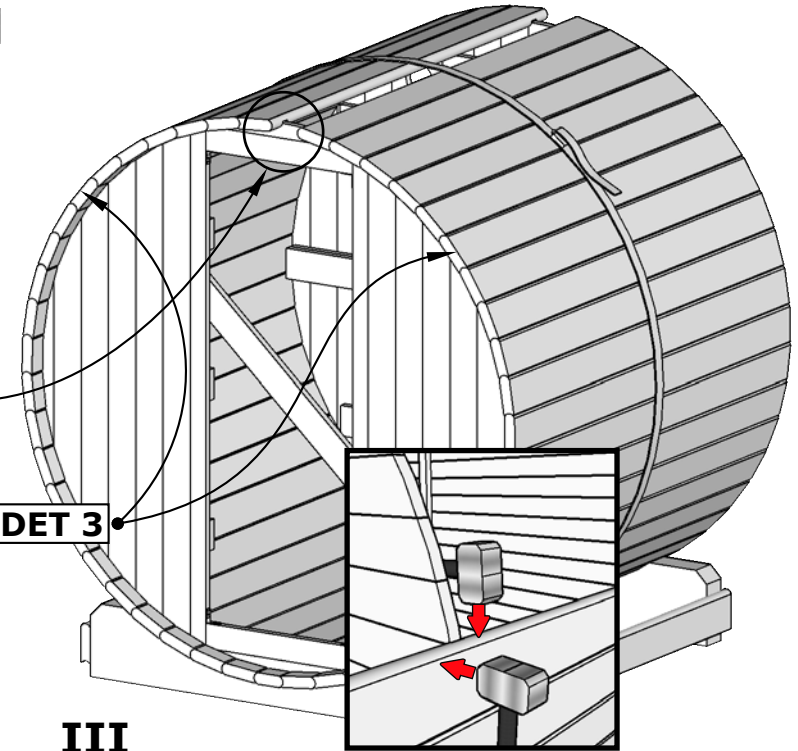
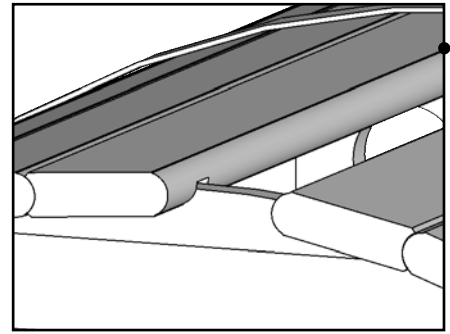
DET 3
I



Use strap to support boards during installation

II

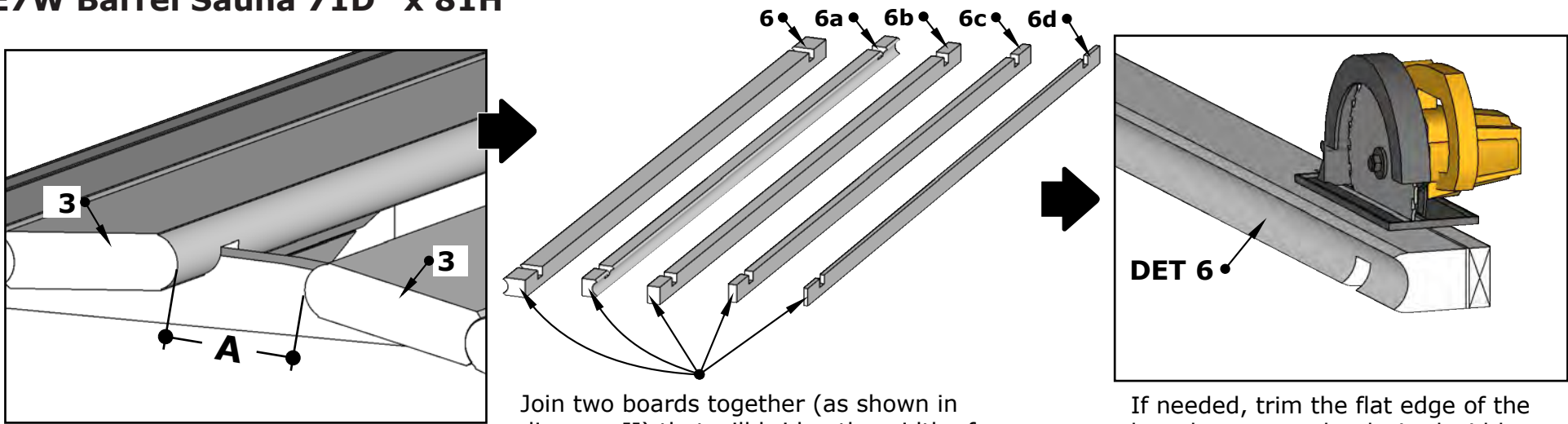
See the next page.



DET 3

III

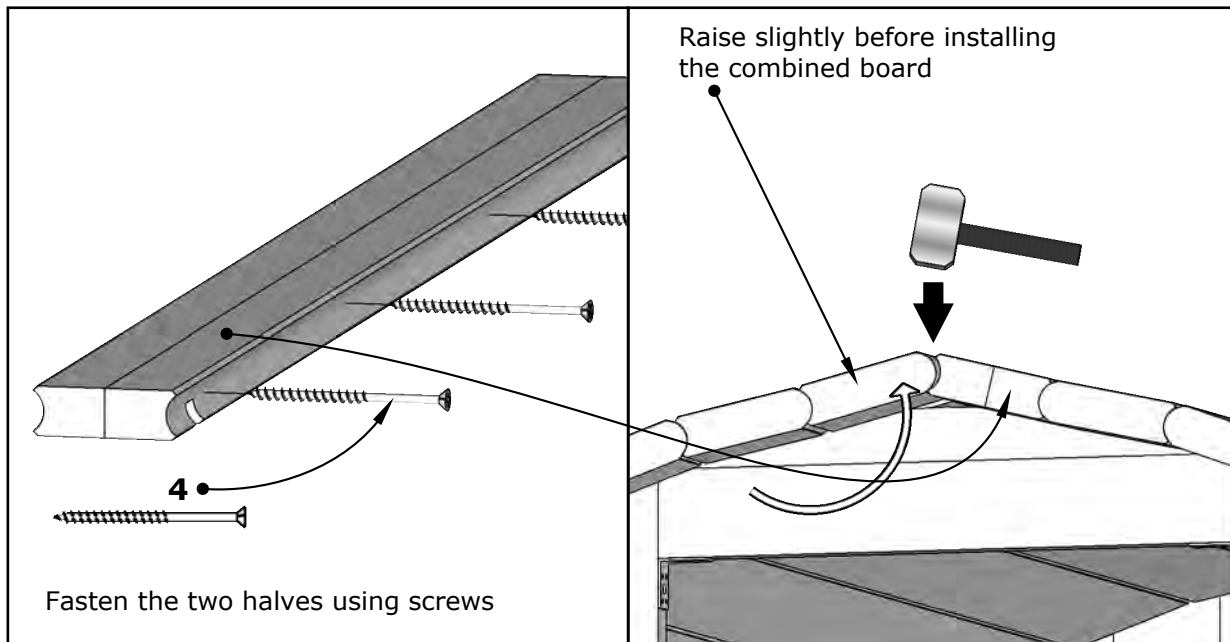
E7W Barrel Sauna 71D" x 81H"



I

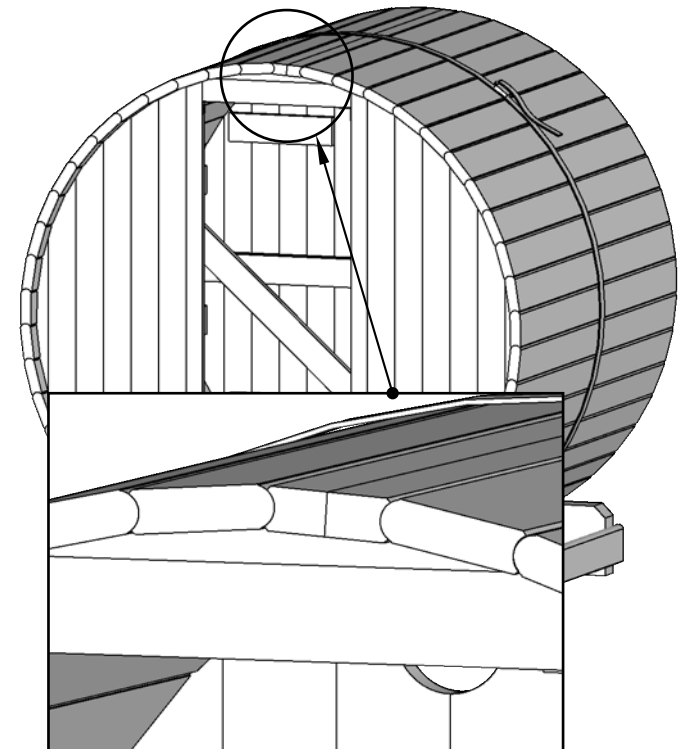
Join two boards together (as shown in diagram II) that will bridge the width of the "A" gap. It is recommended that the combined boards are approximately 1/4" wider than the gap.

If needed, trim the flat edge of the board to create the desired width.



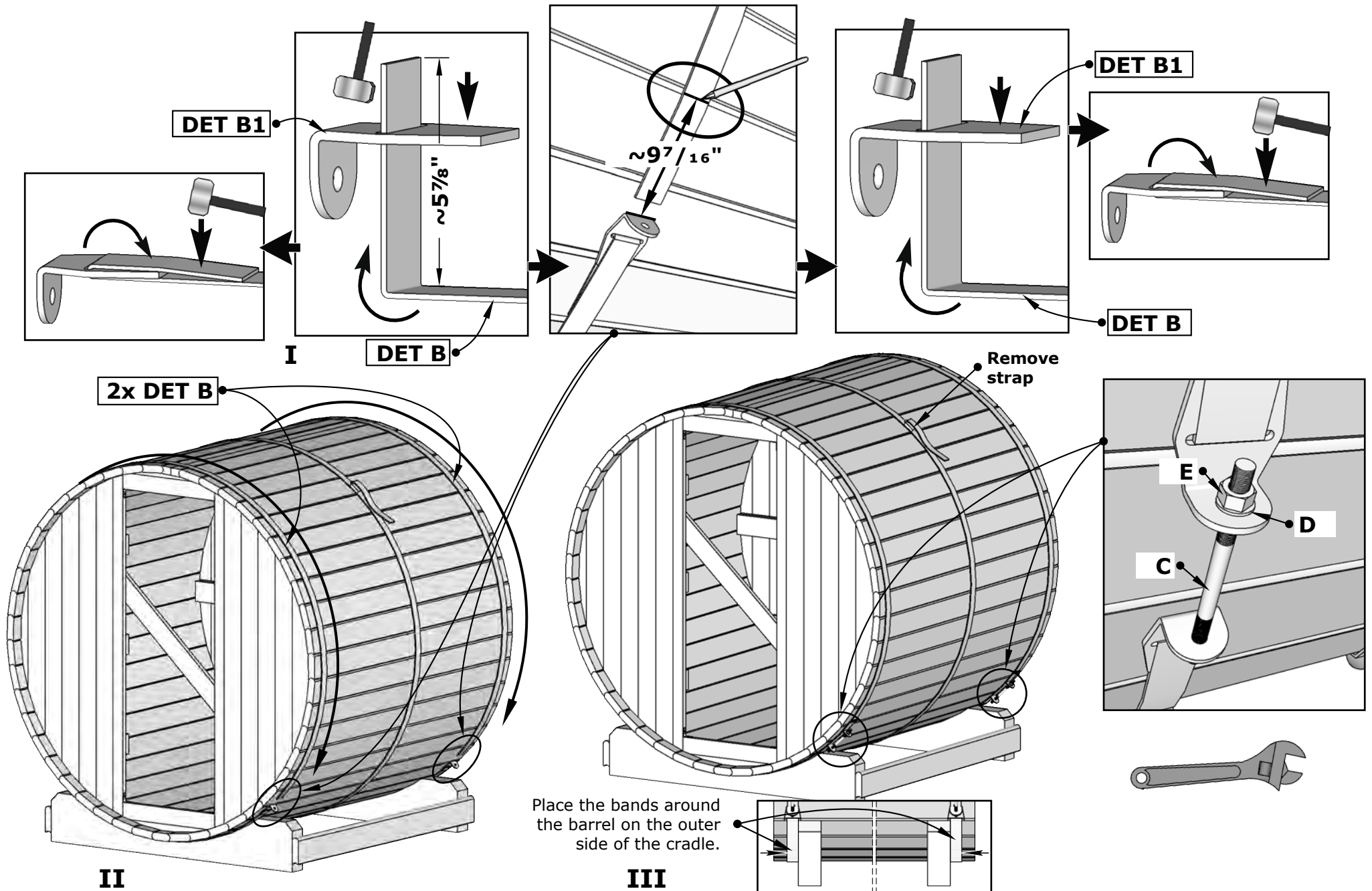
Fasten the two halves using screws

II



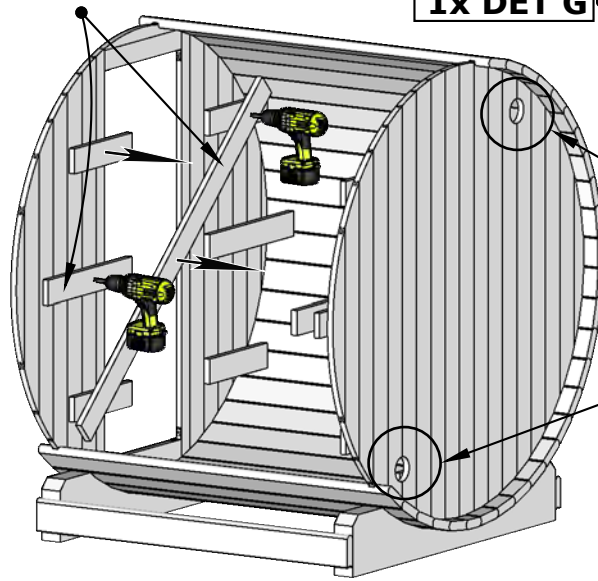
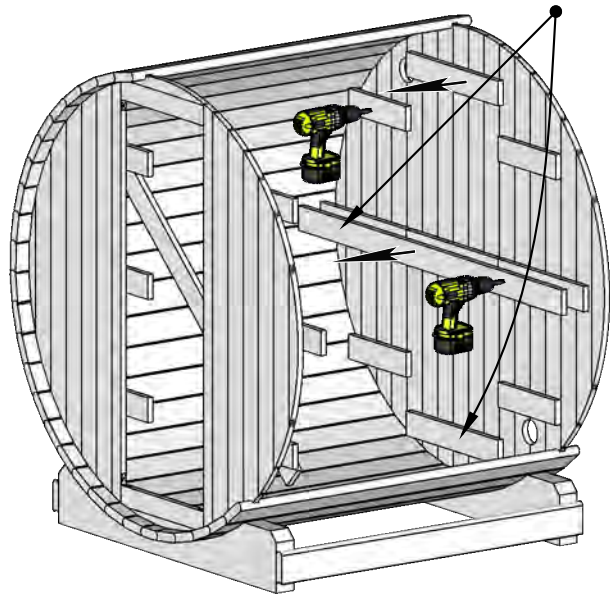
III

E7W Barrel Sauna 71D" x 81H"

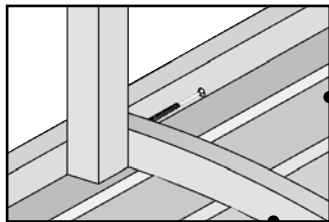
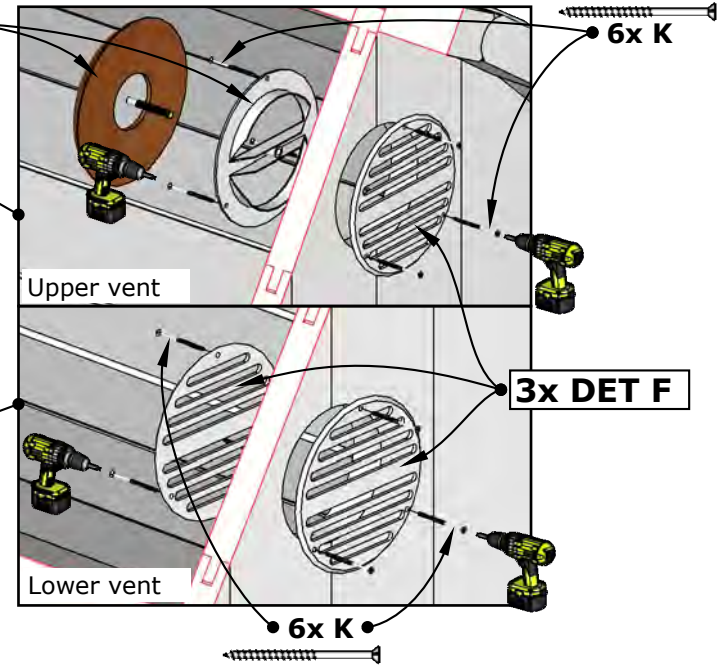


E7W Barrel Sauna 71D" x 81H"

Remove all temporary braces



1x DET G

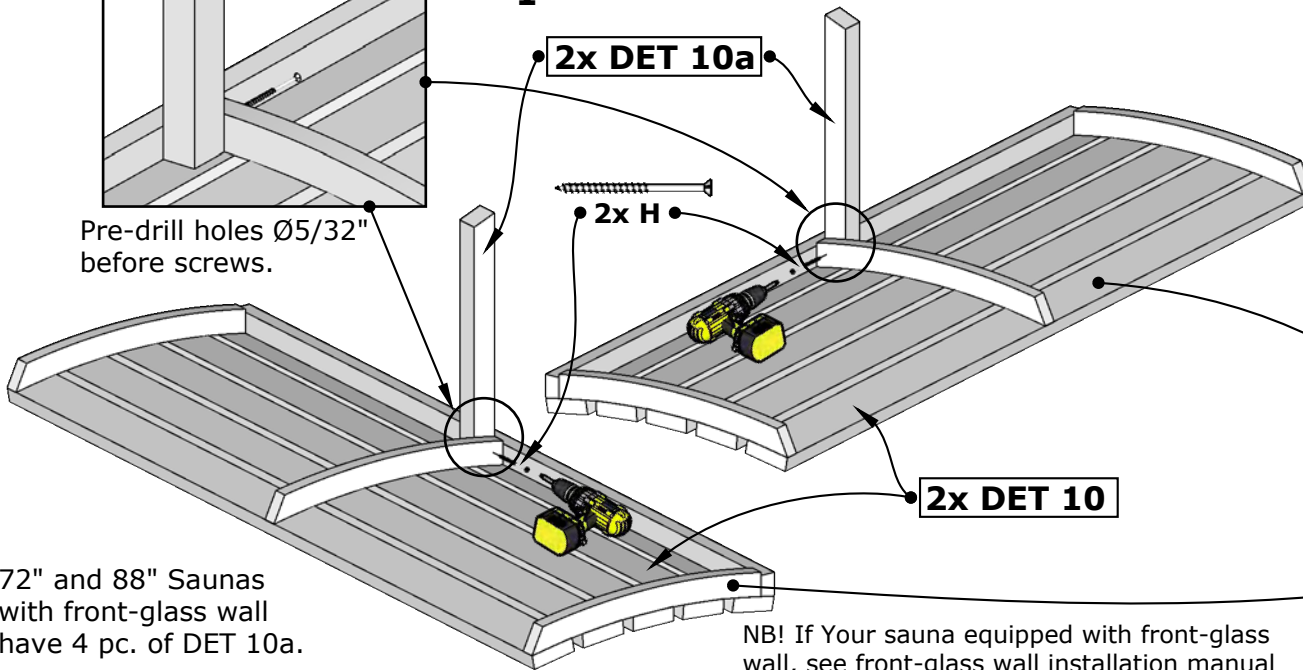


Pre-drill holes $\varnothing 5/32"$ before screws.

I

2x DET 10a

2x H



2x DET 10

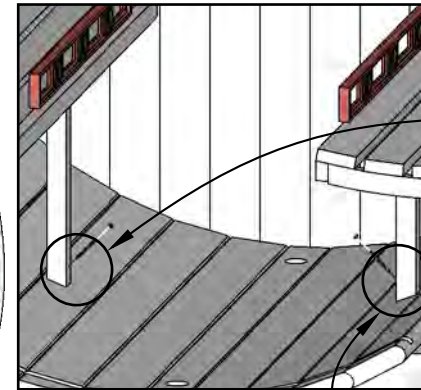
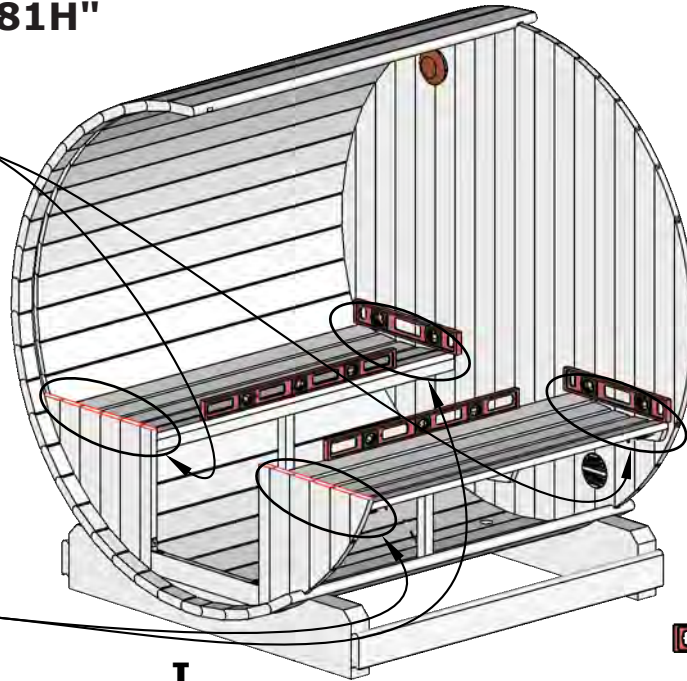
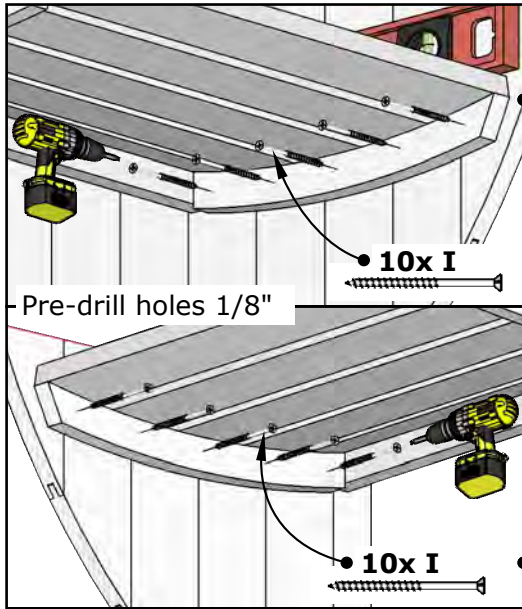
72" and 88" Saunas with front-glass wall have 4 pc. of DET 10a.

NB! If Your sauna equipped with front-glass wall, see front-glass wall installation manual for proper benches installation.

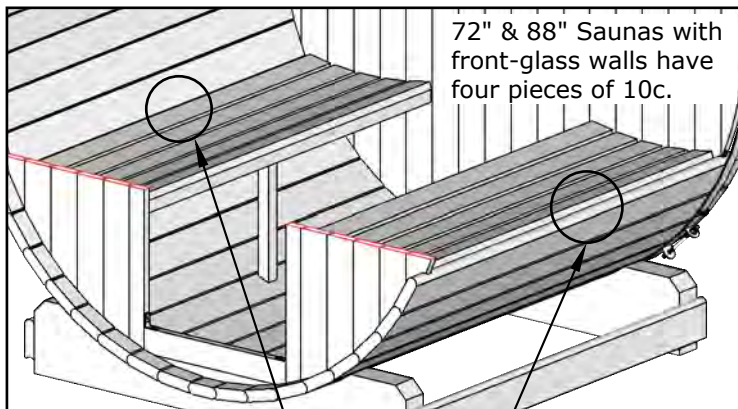
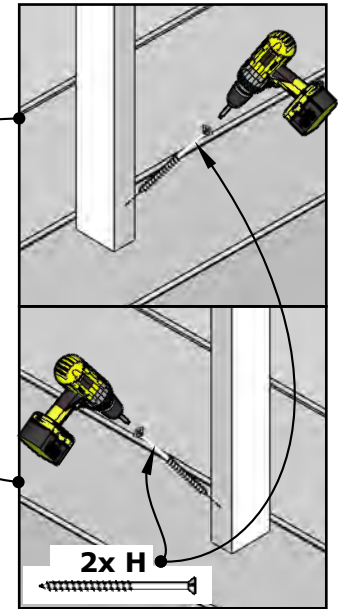


III

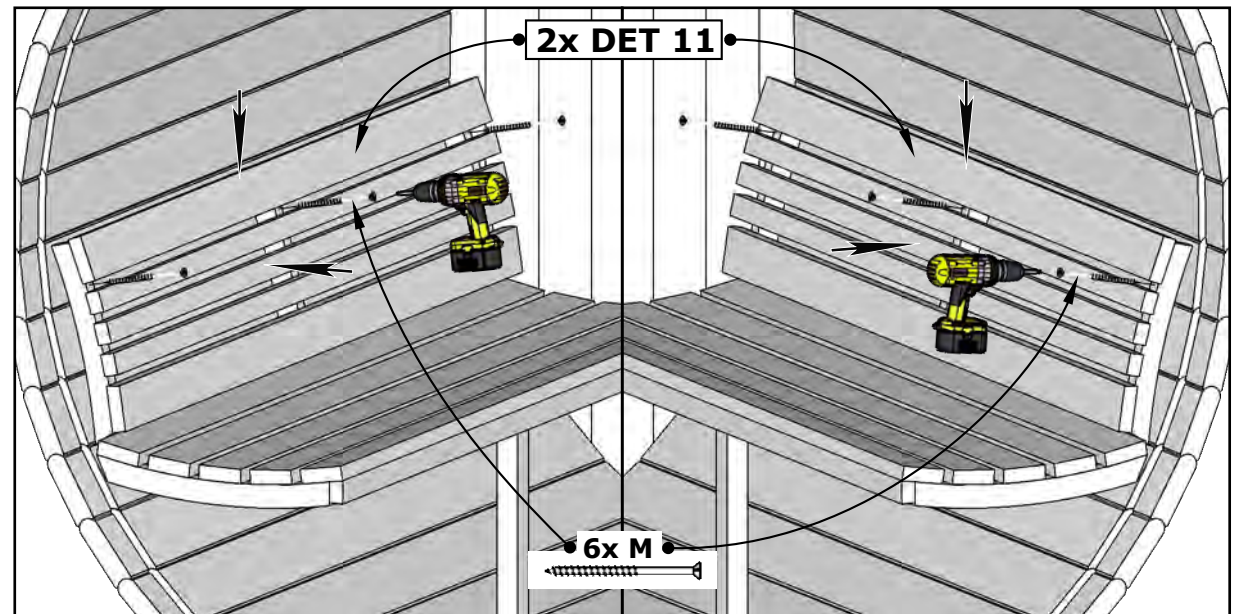
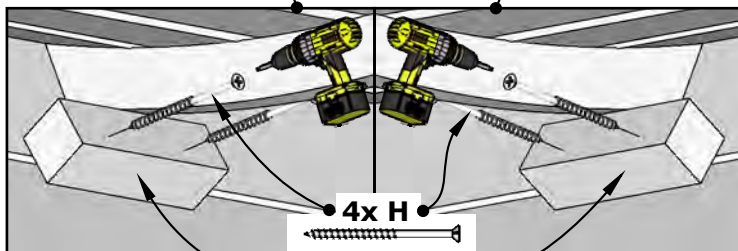
E7W Barrel Sauna 71D" x 81H"



Use level for installation of benches

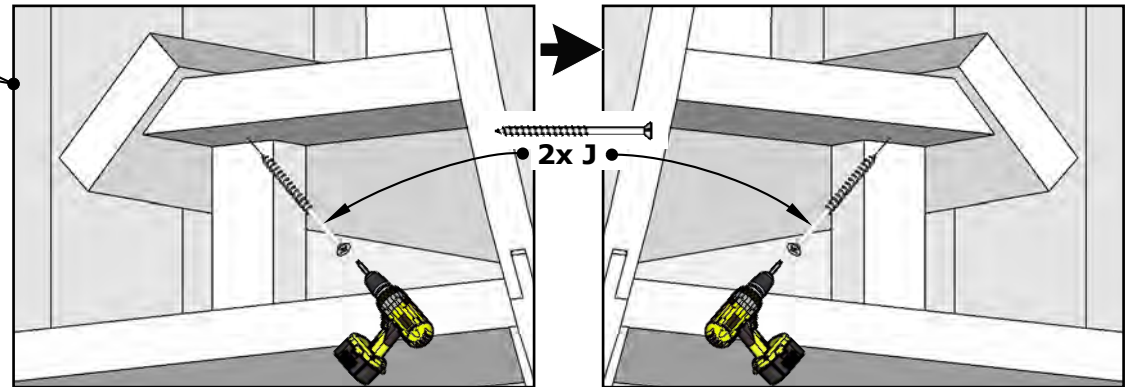
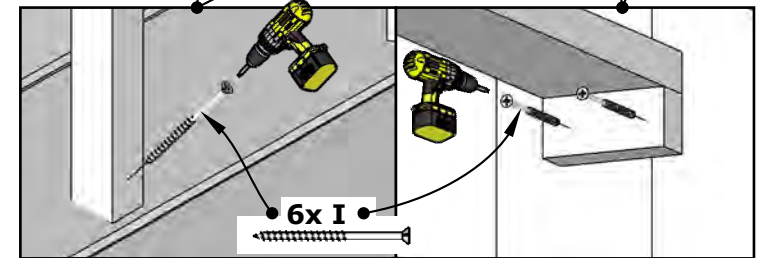
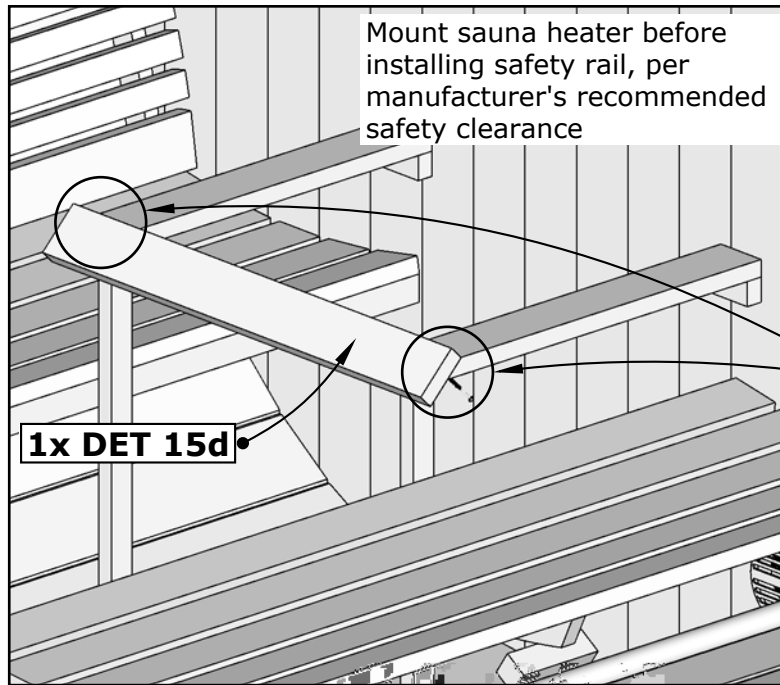
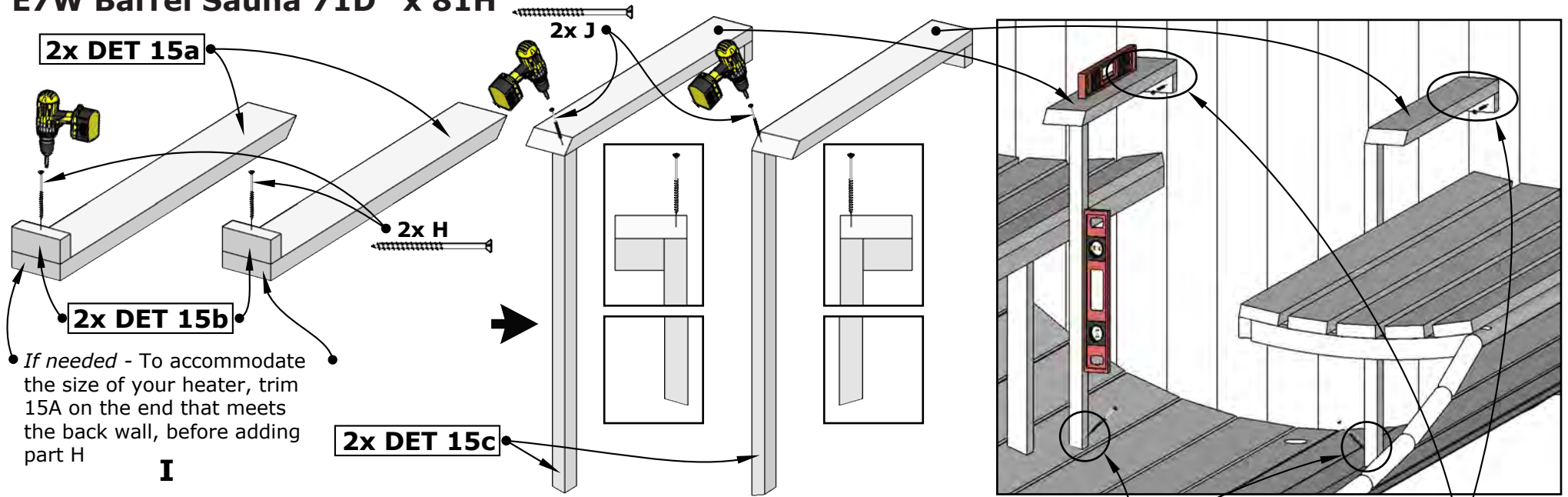


Under the benches



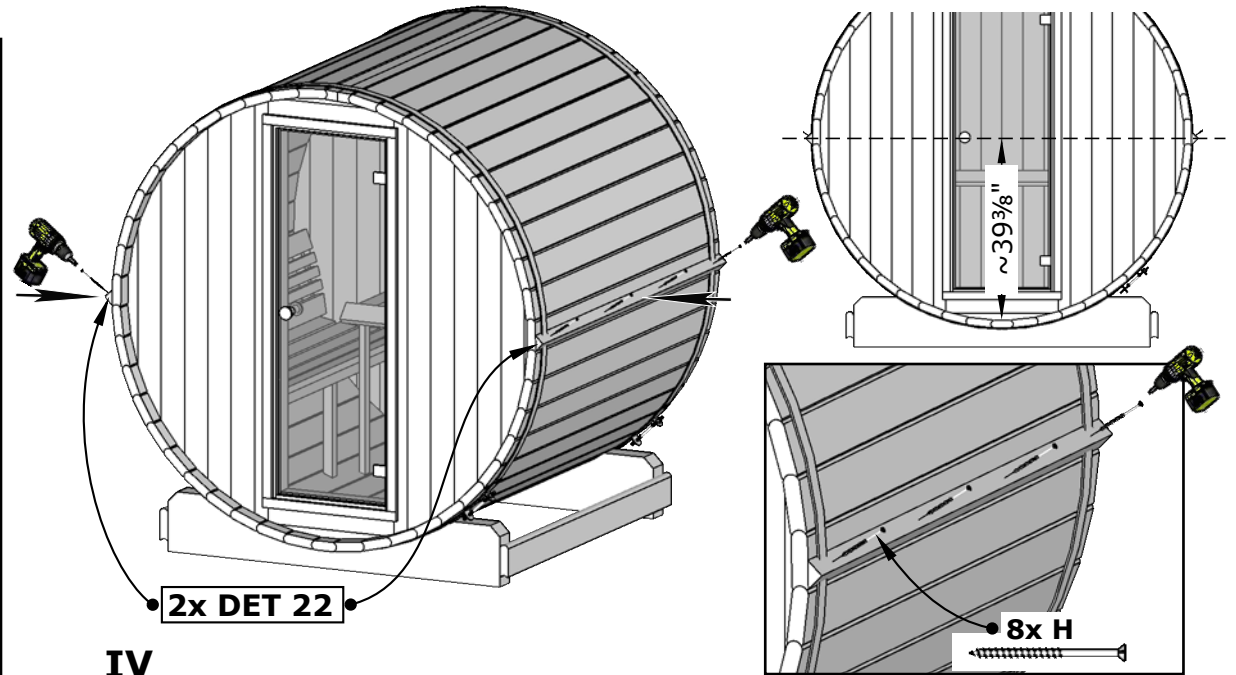
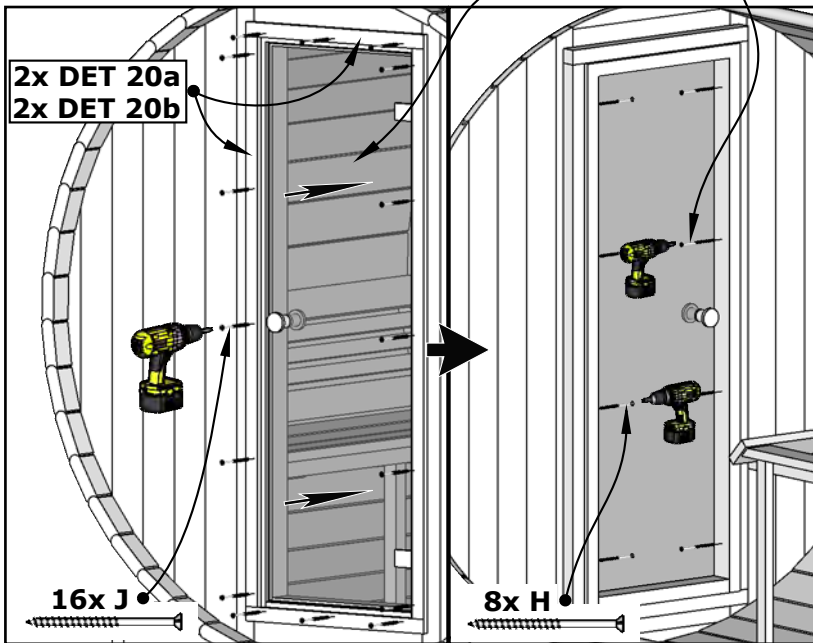
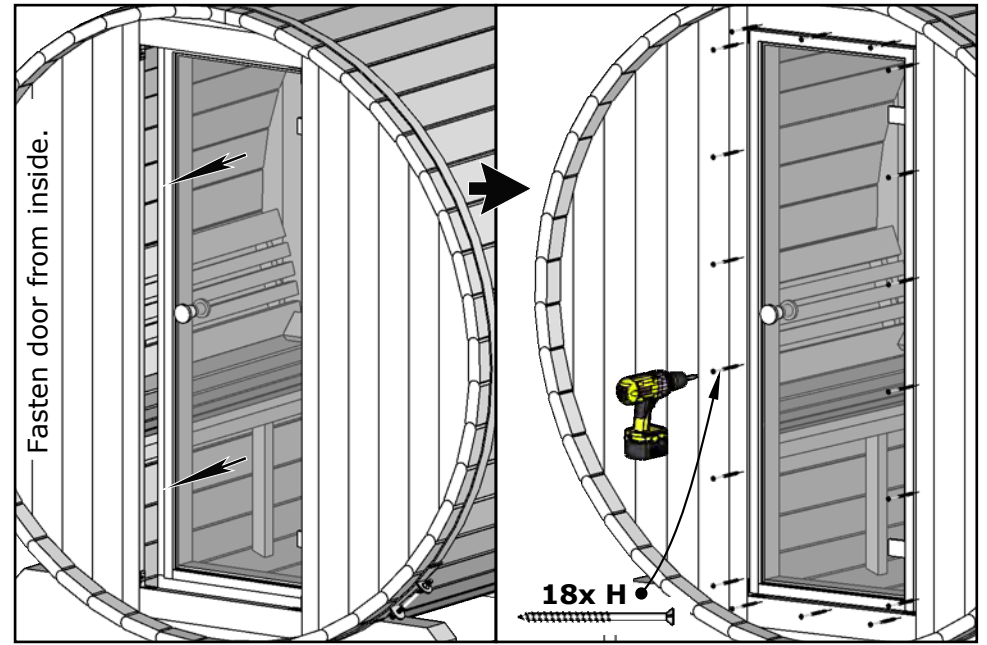
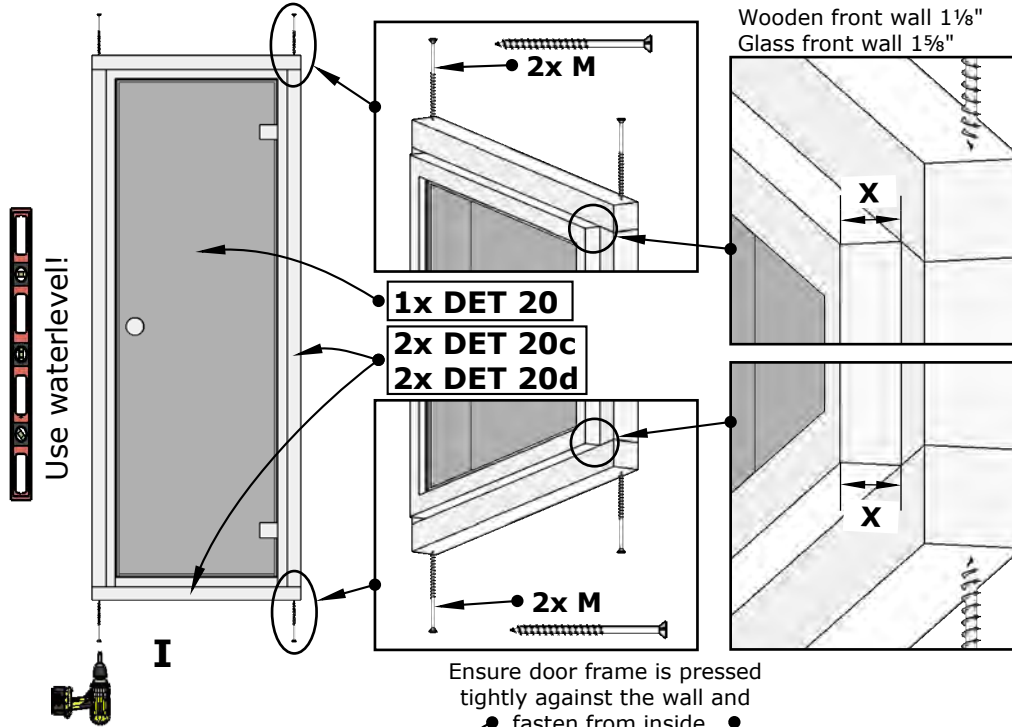
III

E7W Barrel Sauna 71D" x 81H"



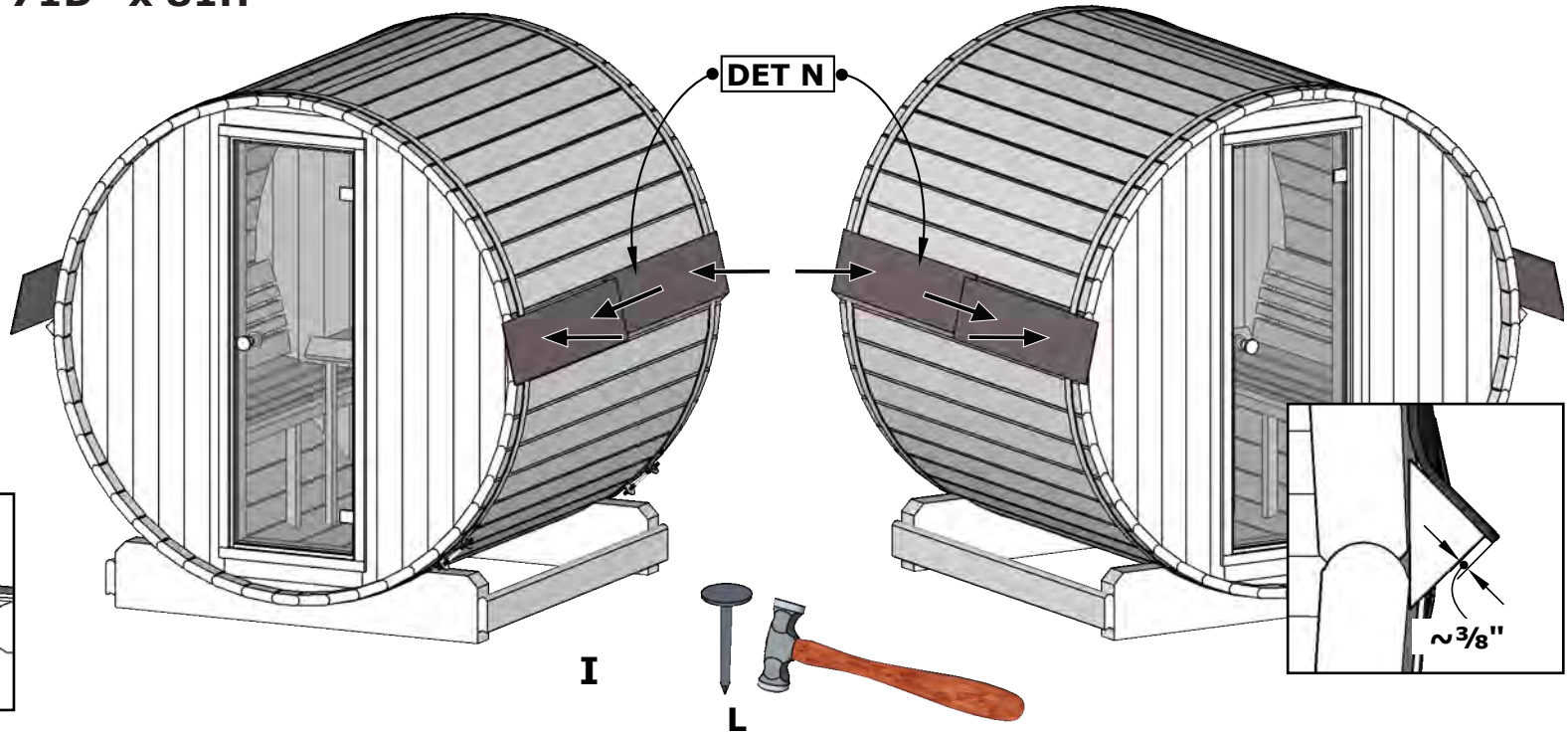
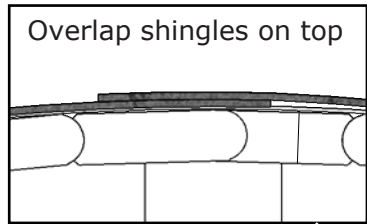
E7W Barrel Sauna 71D" x 81H"

X= Front wall thickness
 Wooden front wall 1 1/8"
 Glass front wall 1 5/8"

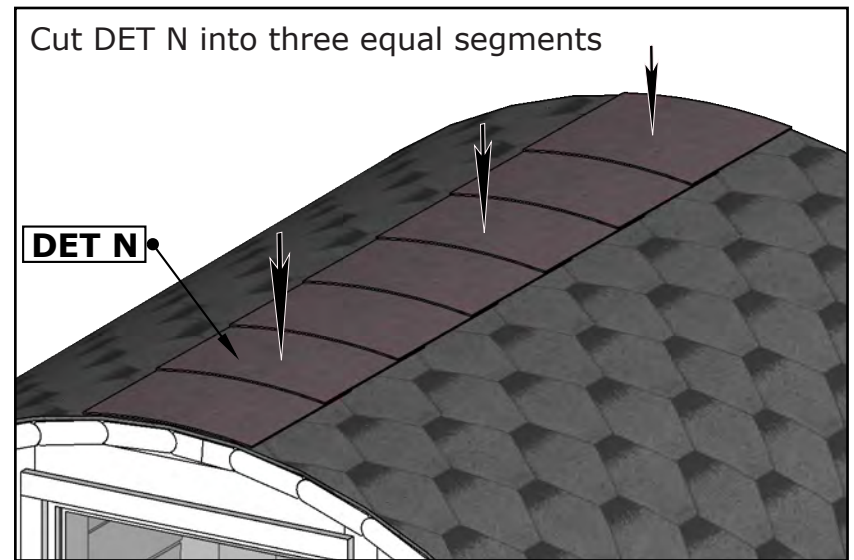
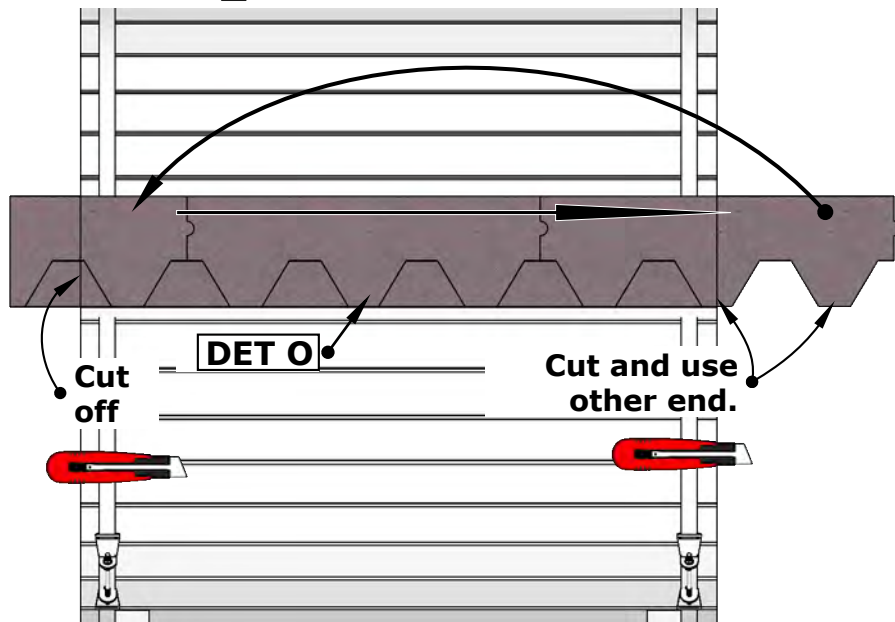


E7W Barrel Sauna 71D" x 81H"

See the installation manual inside the shingles package



Check also roof shingles installation manual inside package.



E7W Barrel Sauna 71D" x 81H"

