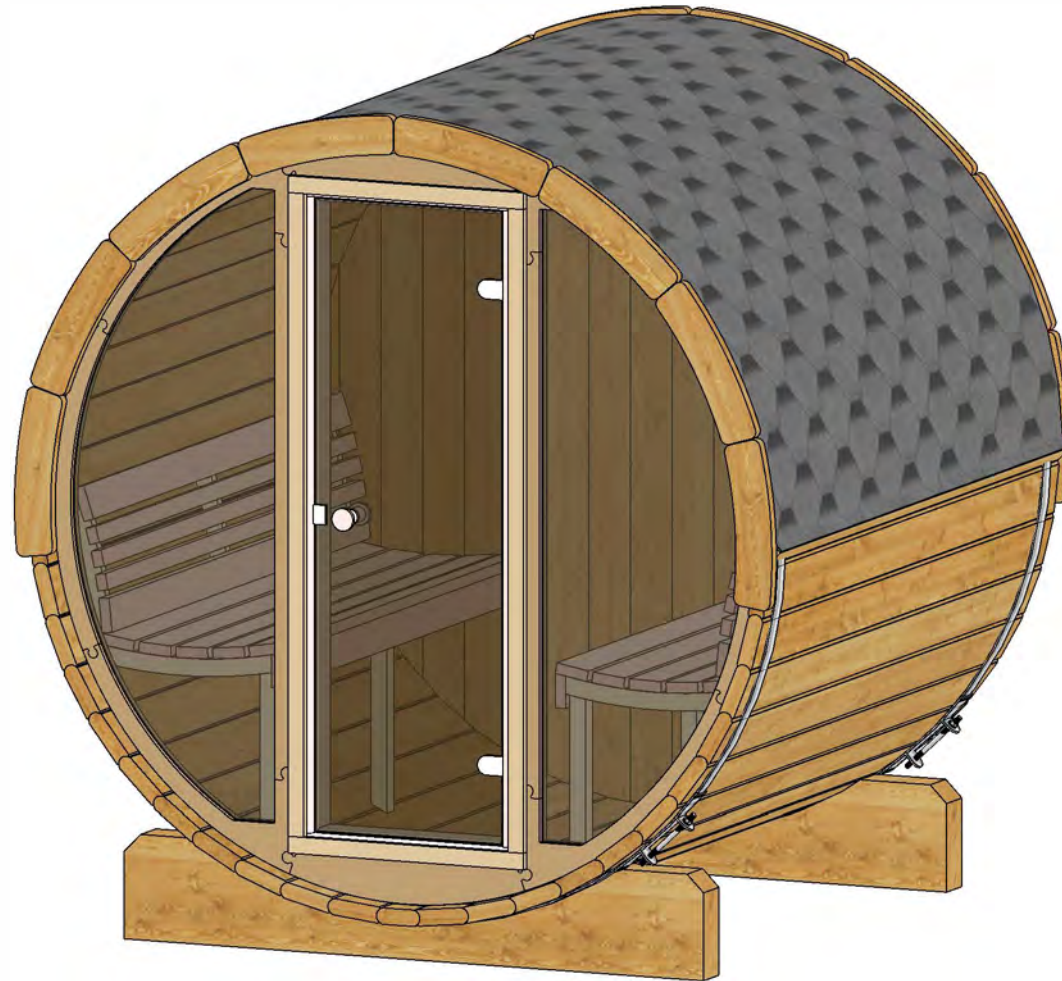




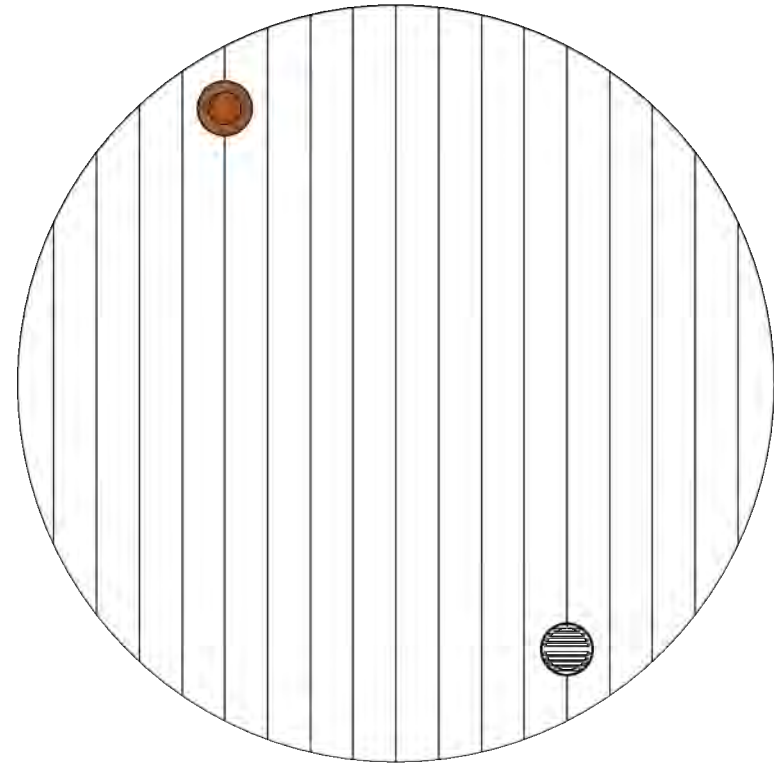
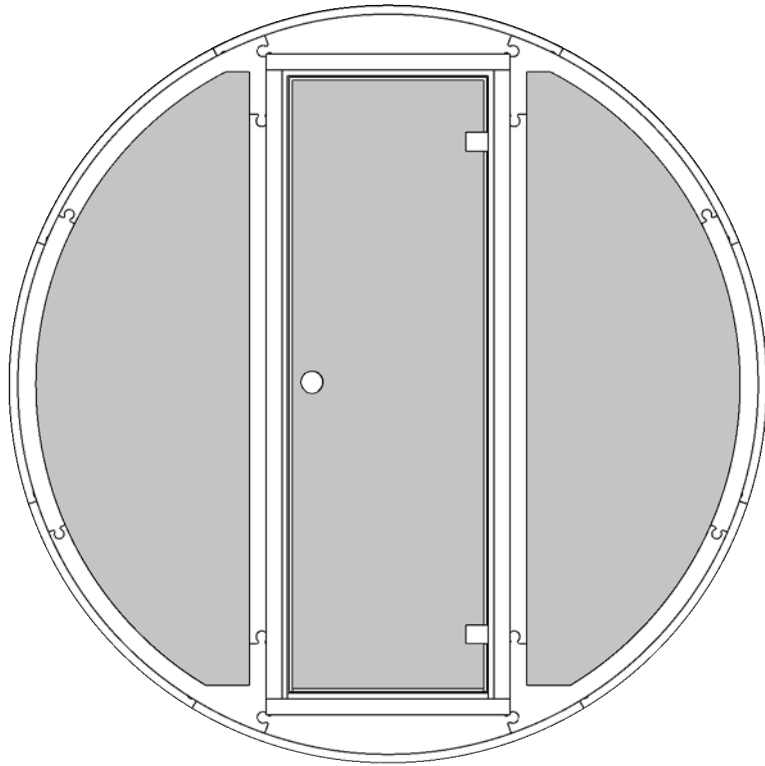
Ergo-Series E7G Barrel Sauna  
Full Glass Front 71D" x 81H"



**Note: Please read manual before construction**

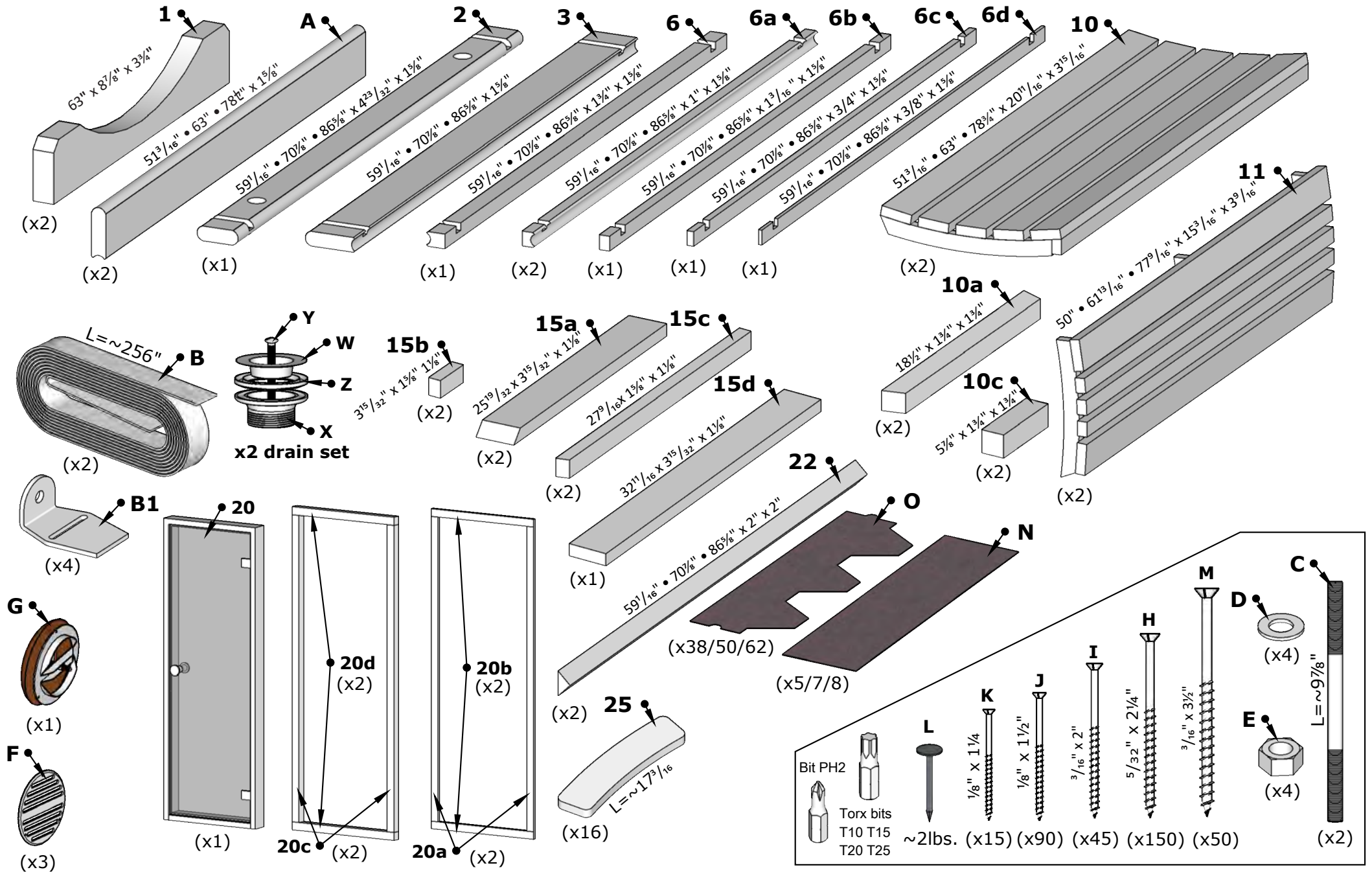
Rev 4/2023

# Front & Back Walls

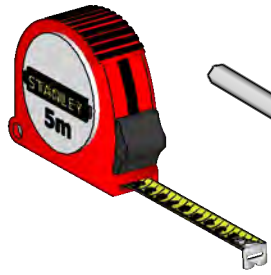


# E7G Barrel Sauna 71D" x 81H"

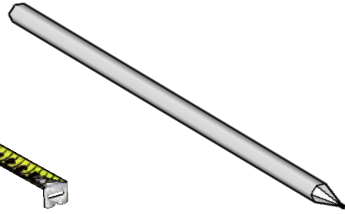
## Details list.



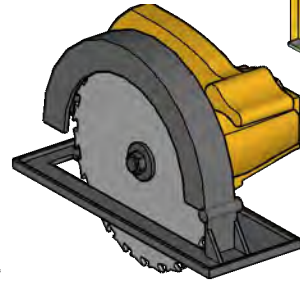
# Tools needed



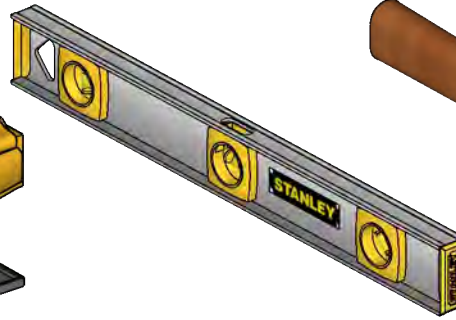
Measuring tape



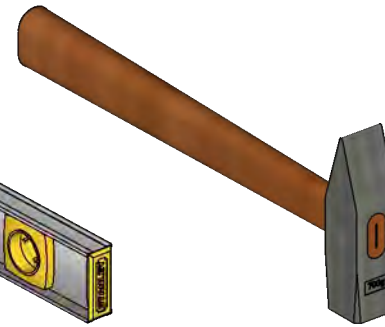
Marker pen



Circular saw



Water level



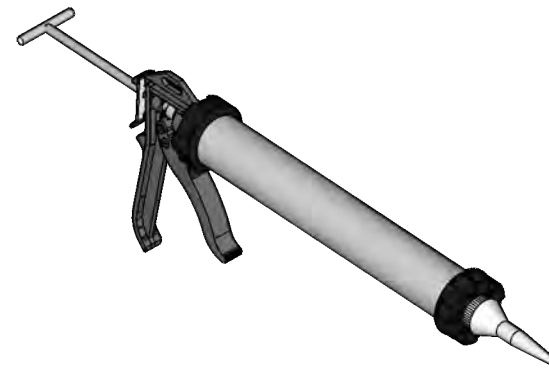
Hammer



Extra hands



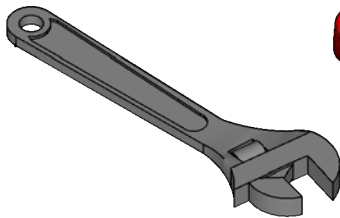
Ratchet strap



Silicone gun  
(Only glass-wall models)



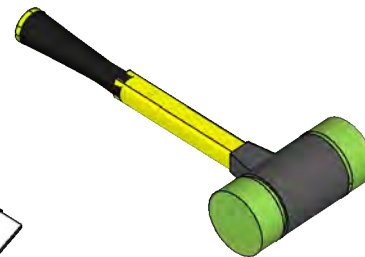
Drill



Crescent wrench

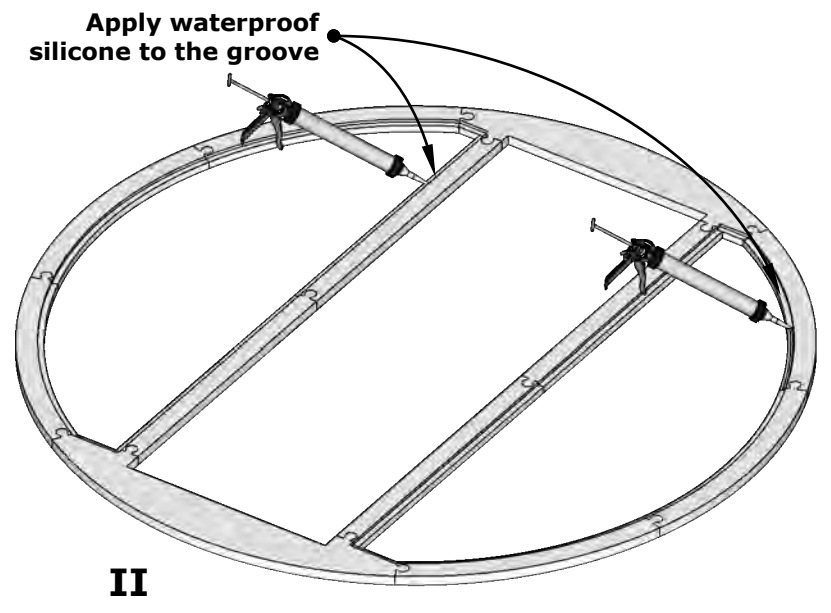
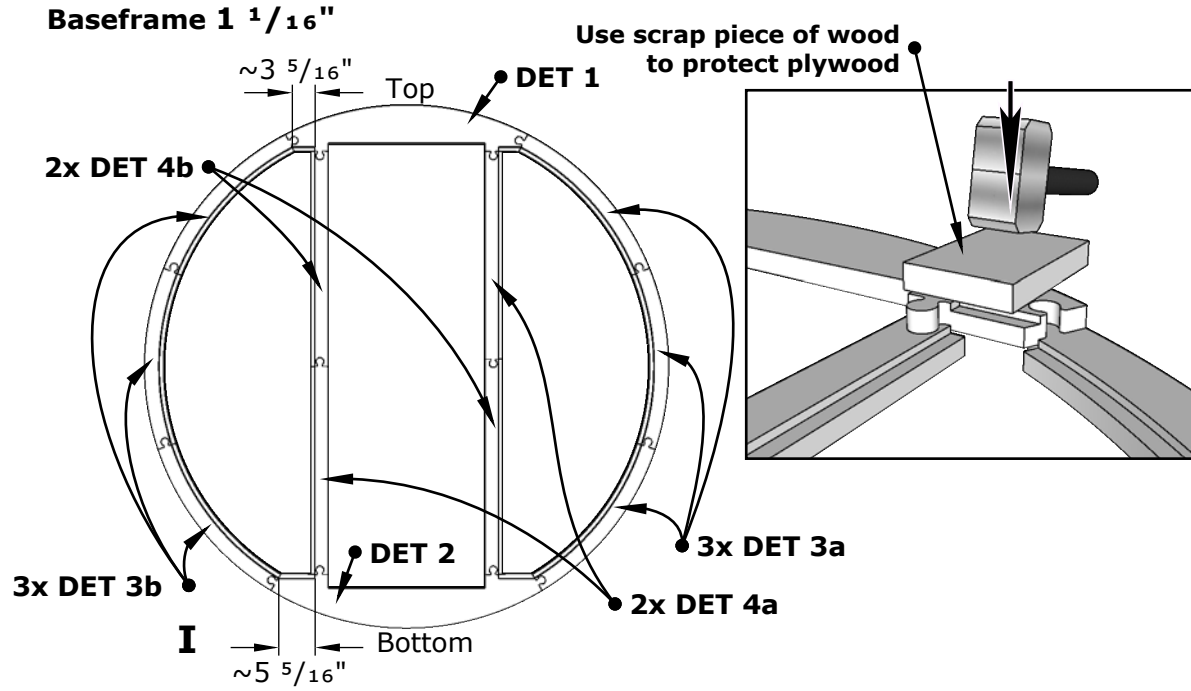
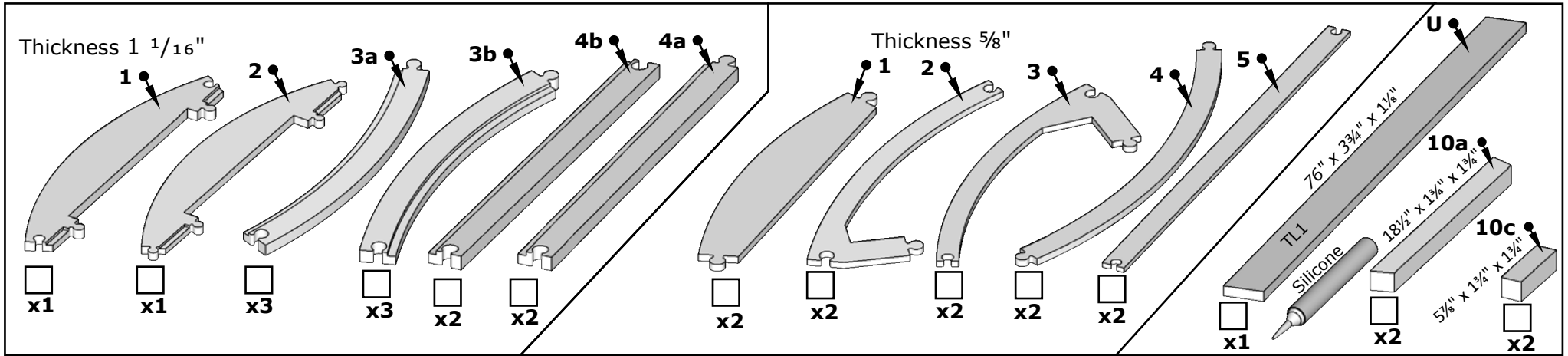


Utility knife



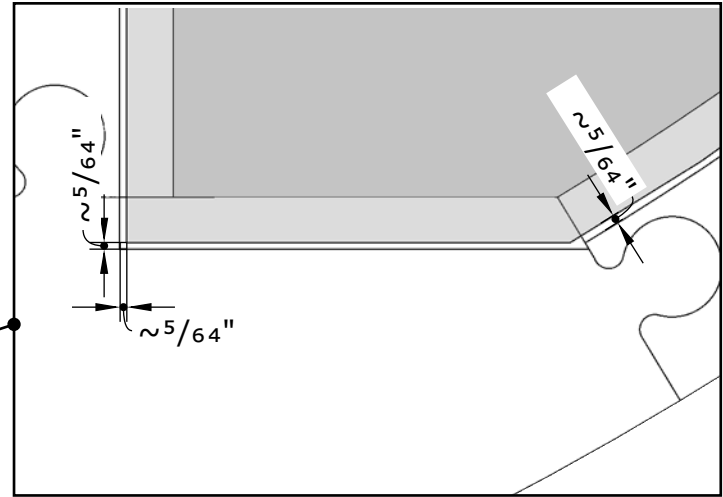
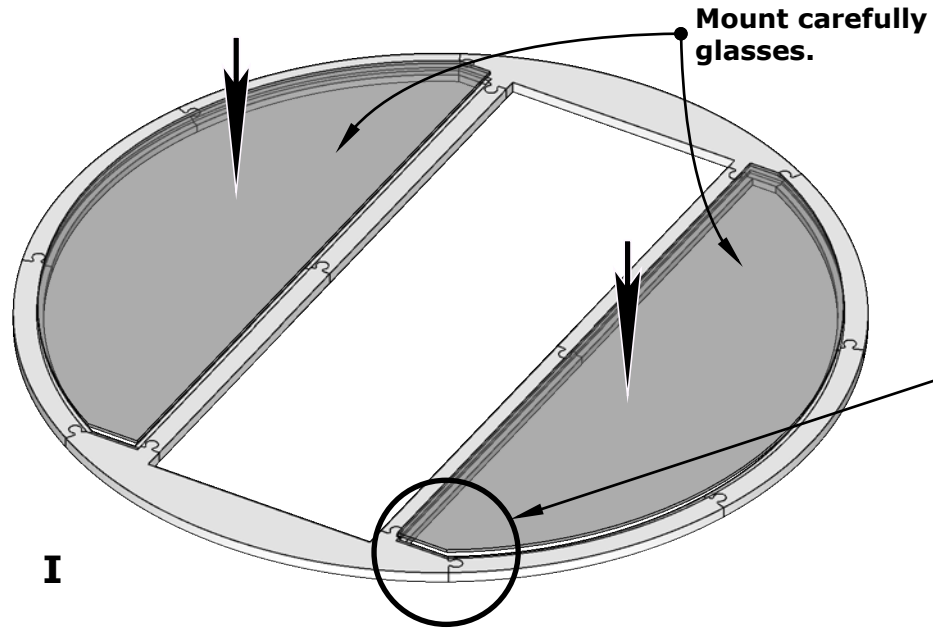
Rubber mallet

# Front glass wall installation

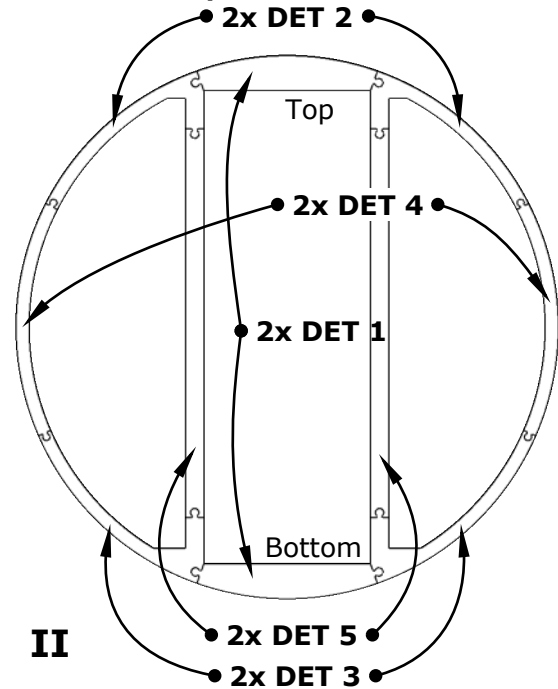


1.

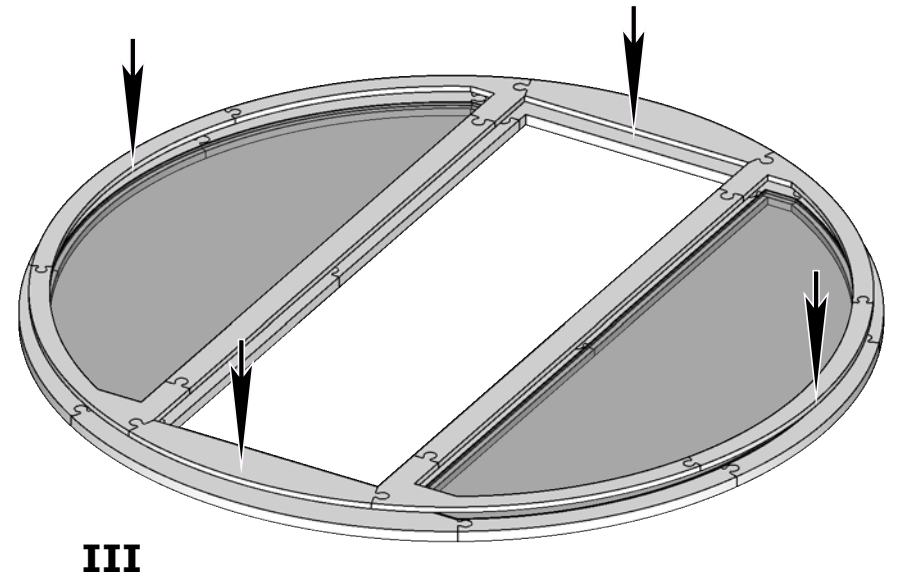
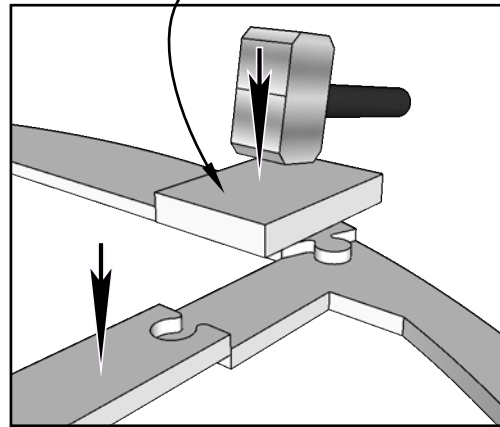
# Front glass wall installation



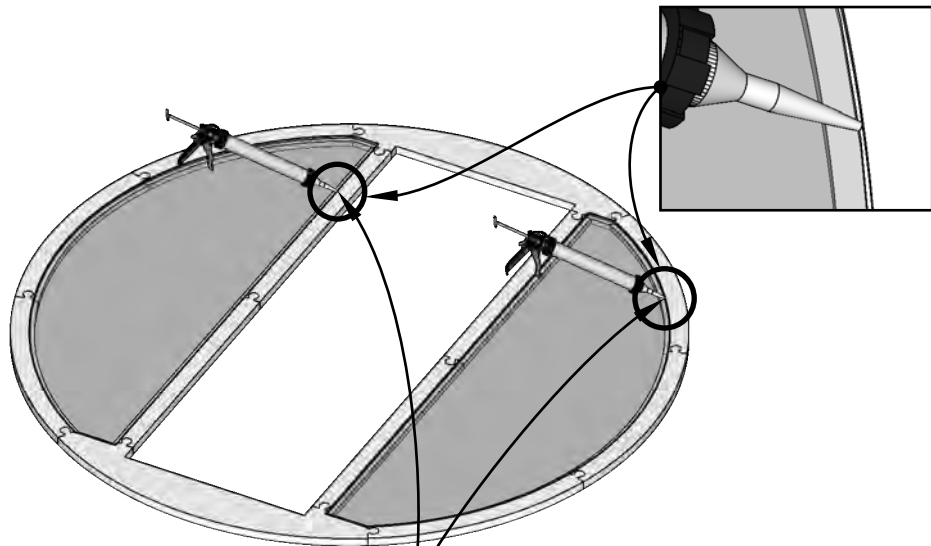
Coverframe  $19/32''$



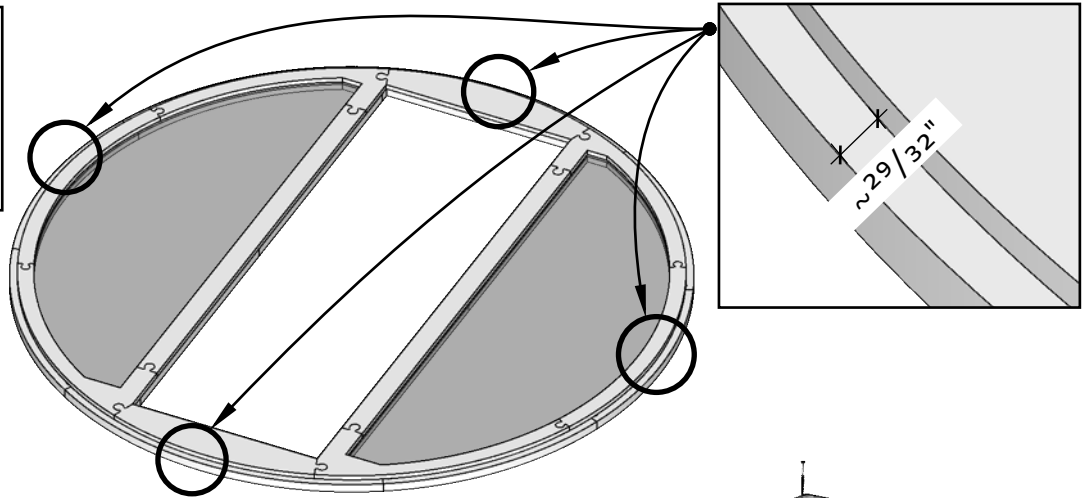
Use scrap piece of wood to protect plywood



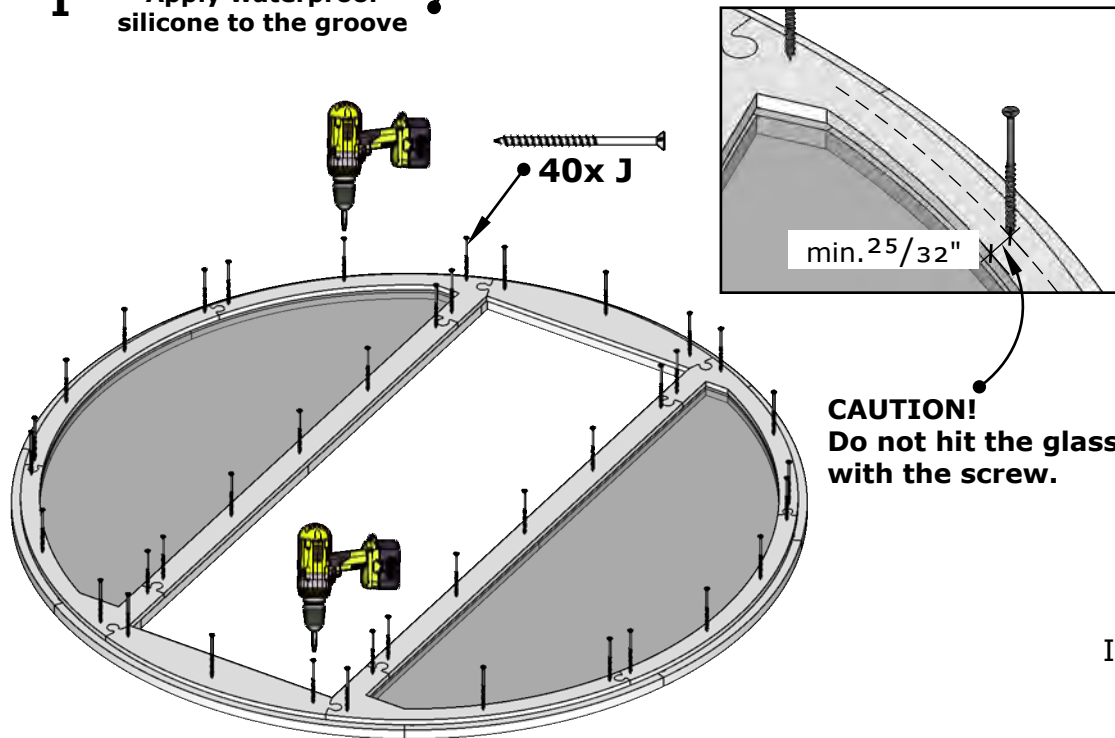
# Front glass wall installation



**I** Apply waterproof silicone to the groove

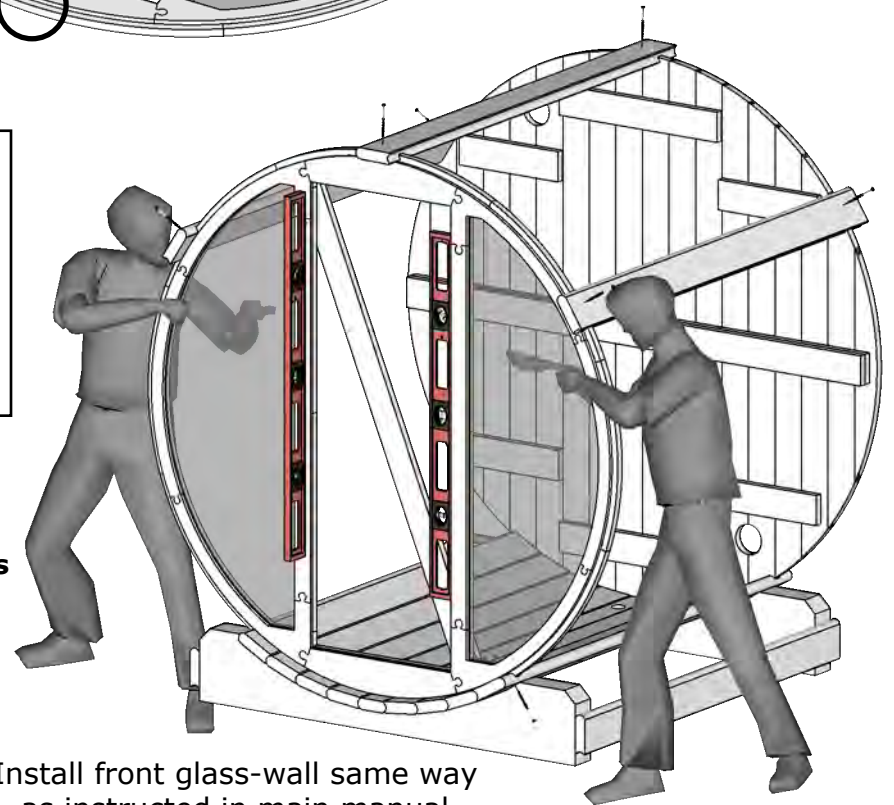


**II**



**CAUTION!**  
Do not hit the glass with the screw.

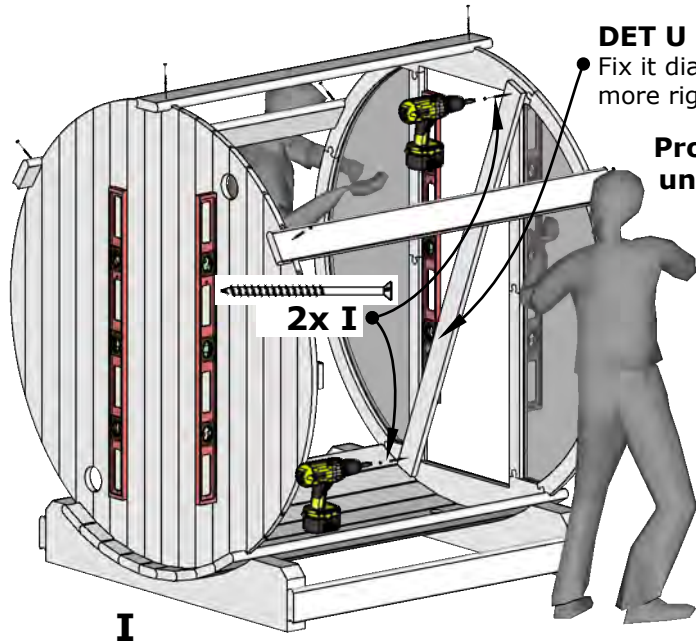
**III**



Install front glass-wall same way as instructed in main manual.

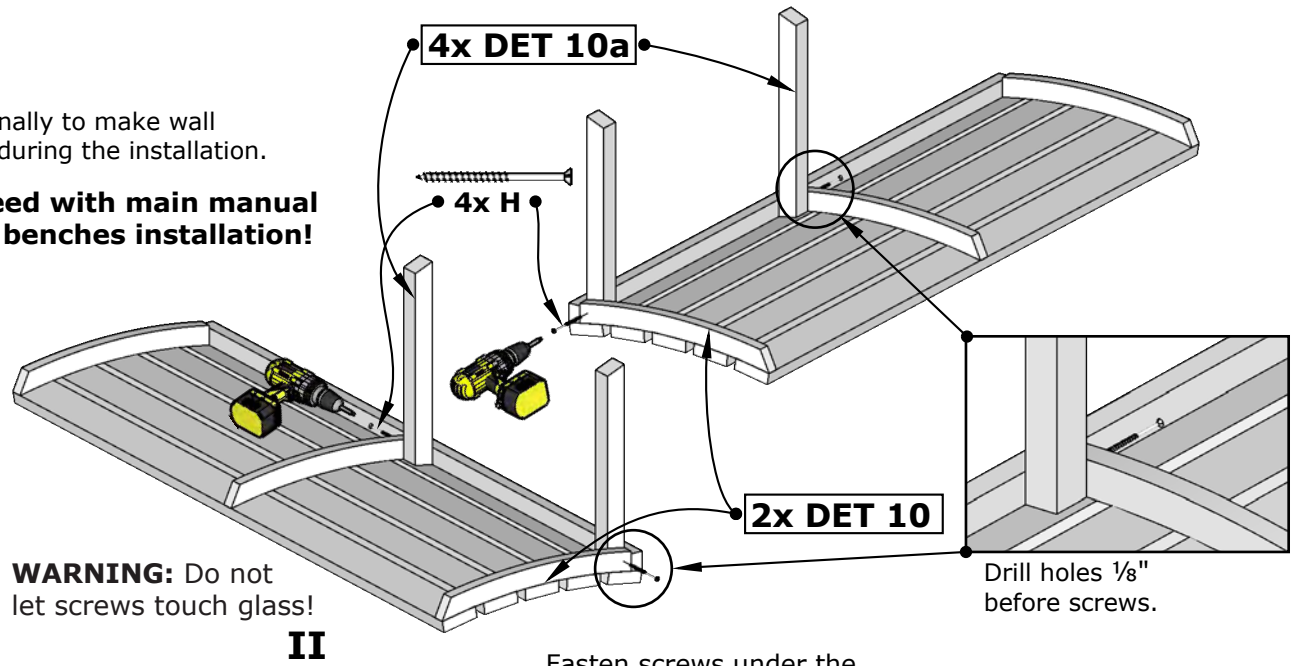
**IV**

# Front glass wall installation



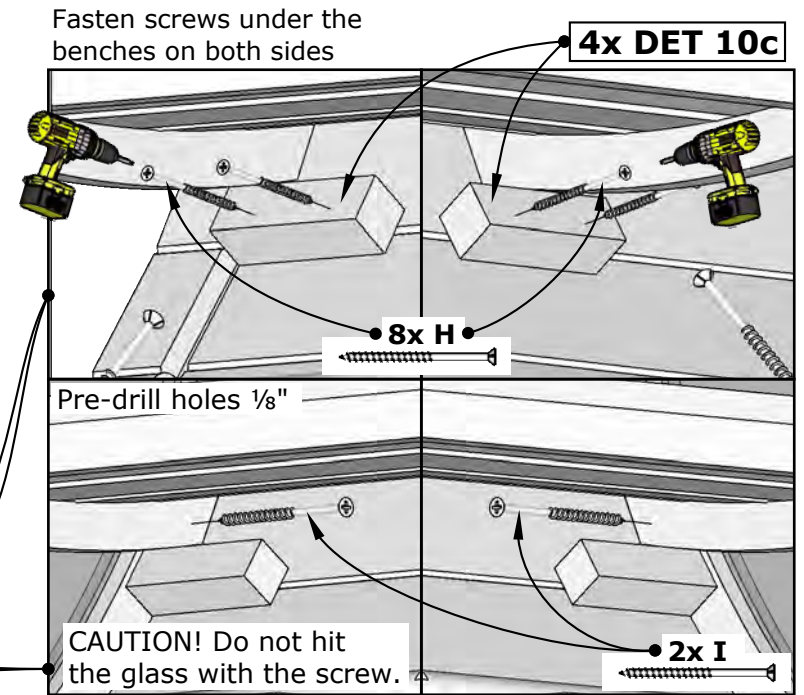
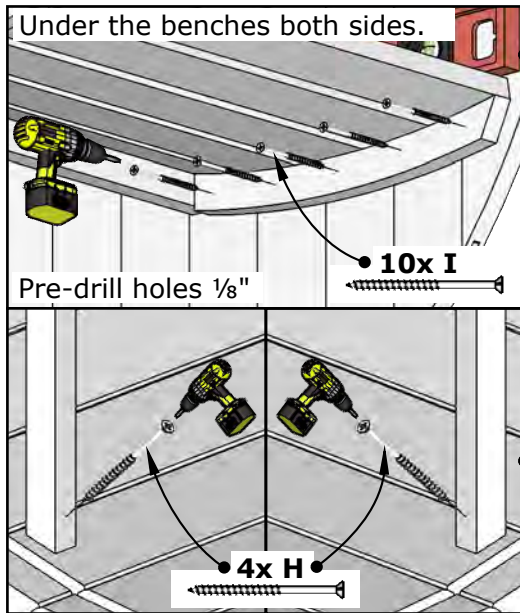
**DET U**  
 Fix it diagonally to make wall more rigid during the installation.

**Proceed with main manual until benches installation!**



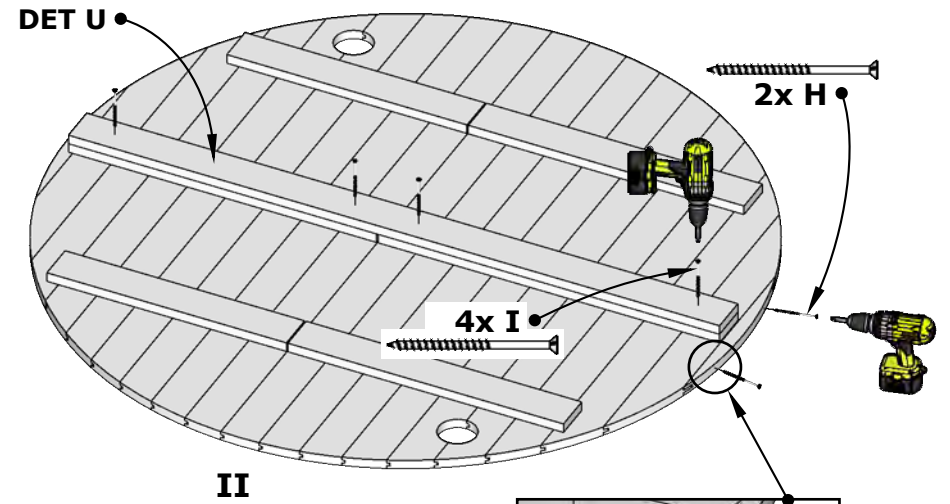
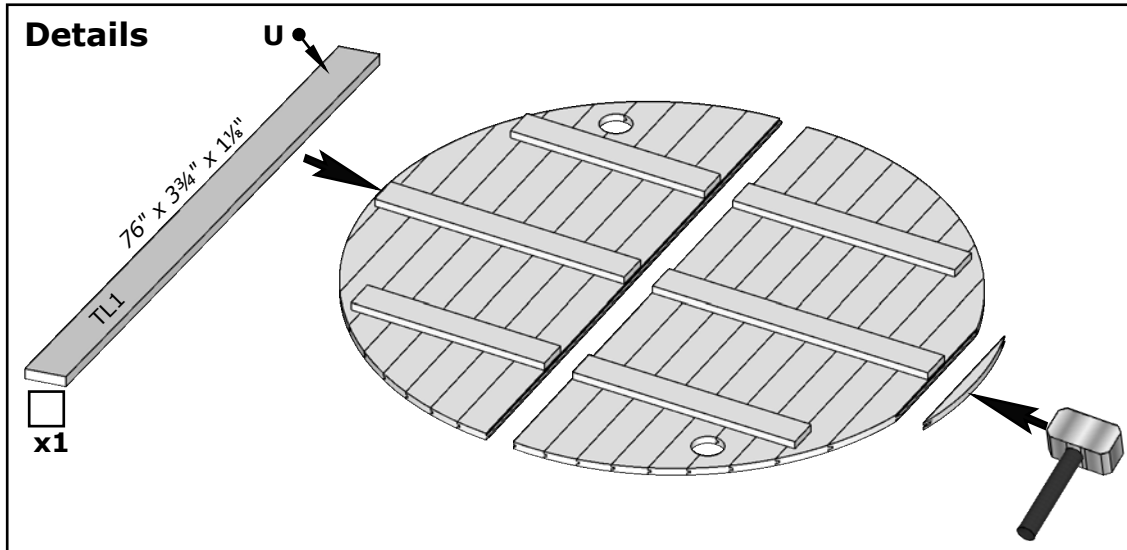
**WARNING:** Do not let screws touch glass!

Drill holes 1/8" before screws.

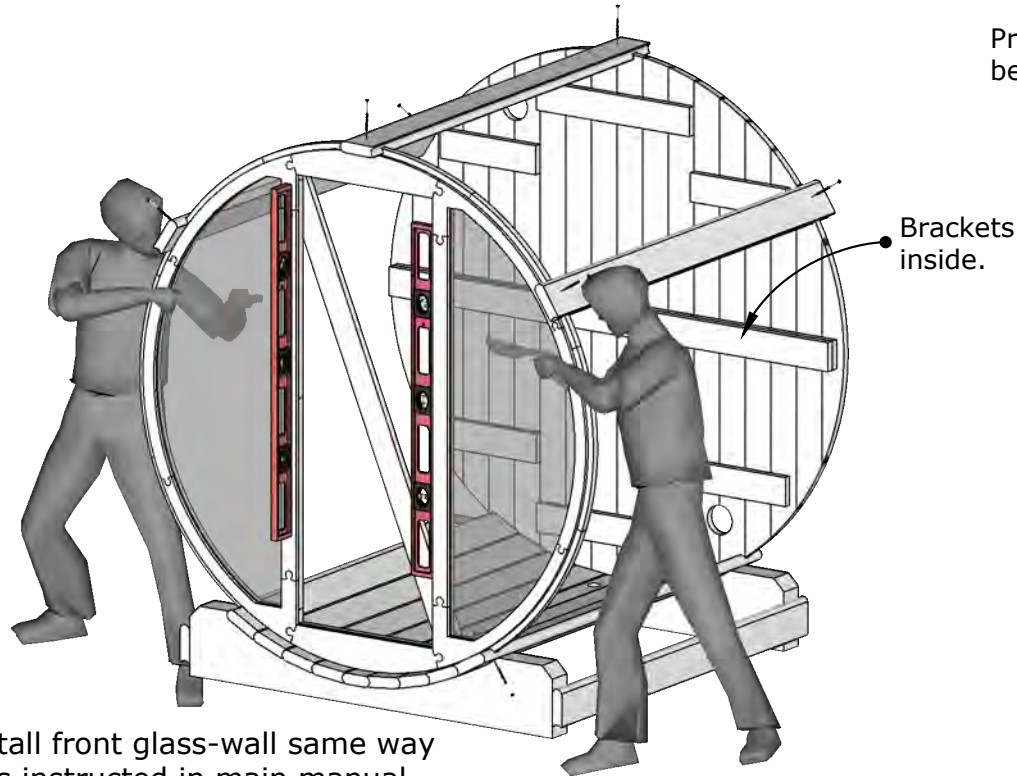
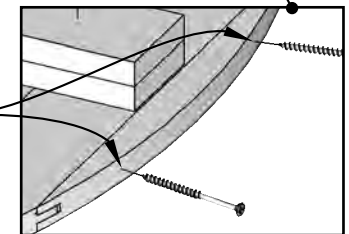




# Wooden back wall assembly



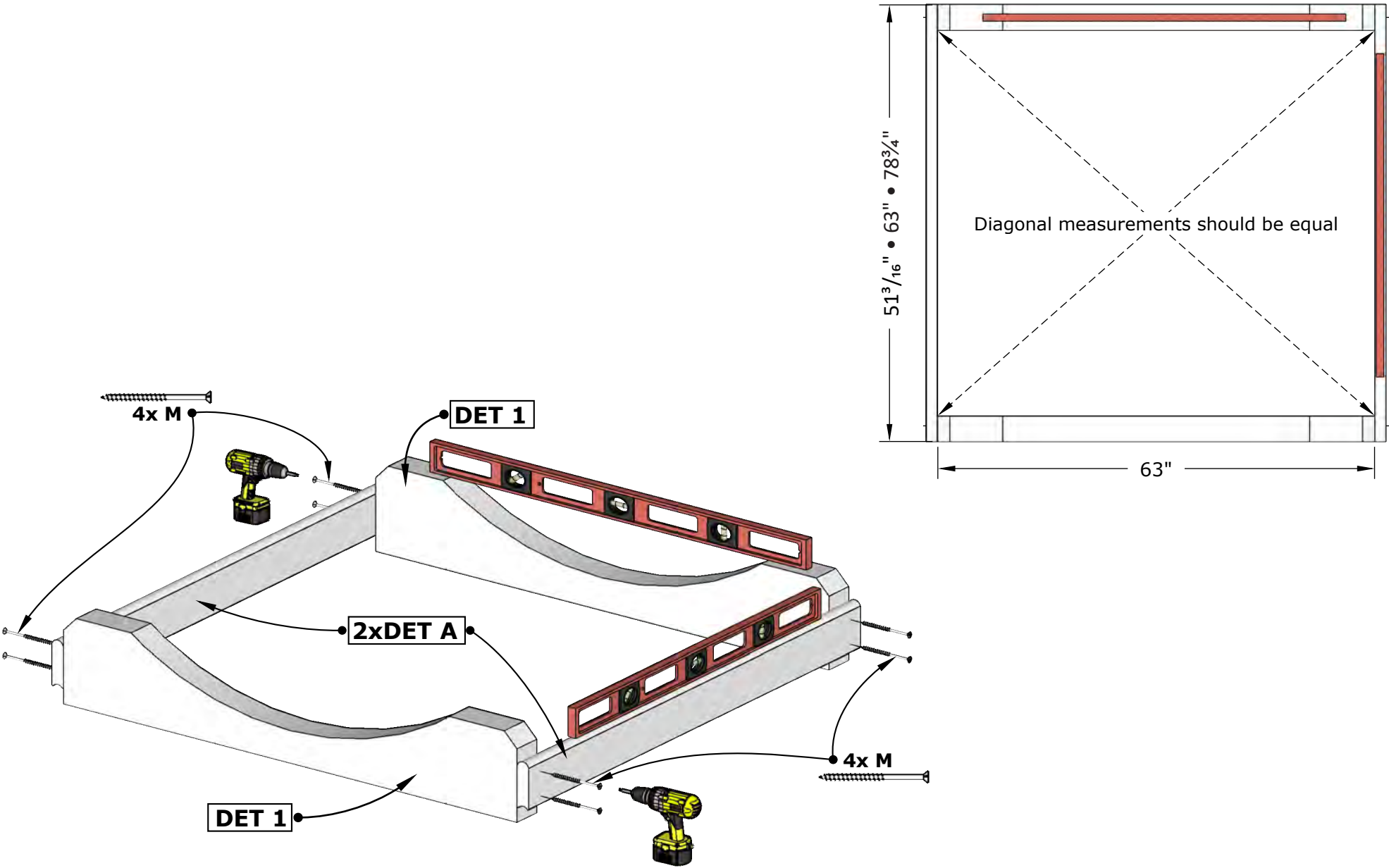
Pre-drill holes 5/32" before screws.



Install front glass-wall same way as instructed in main manual.

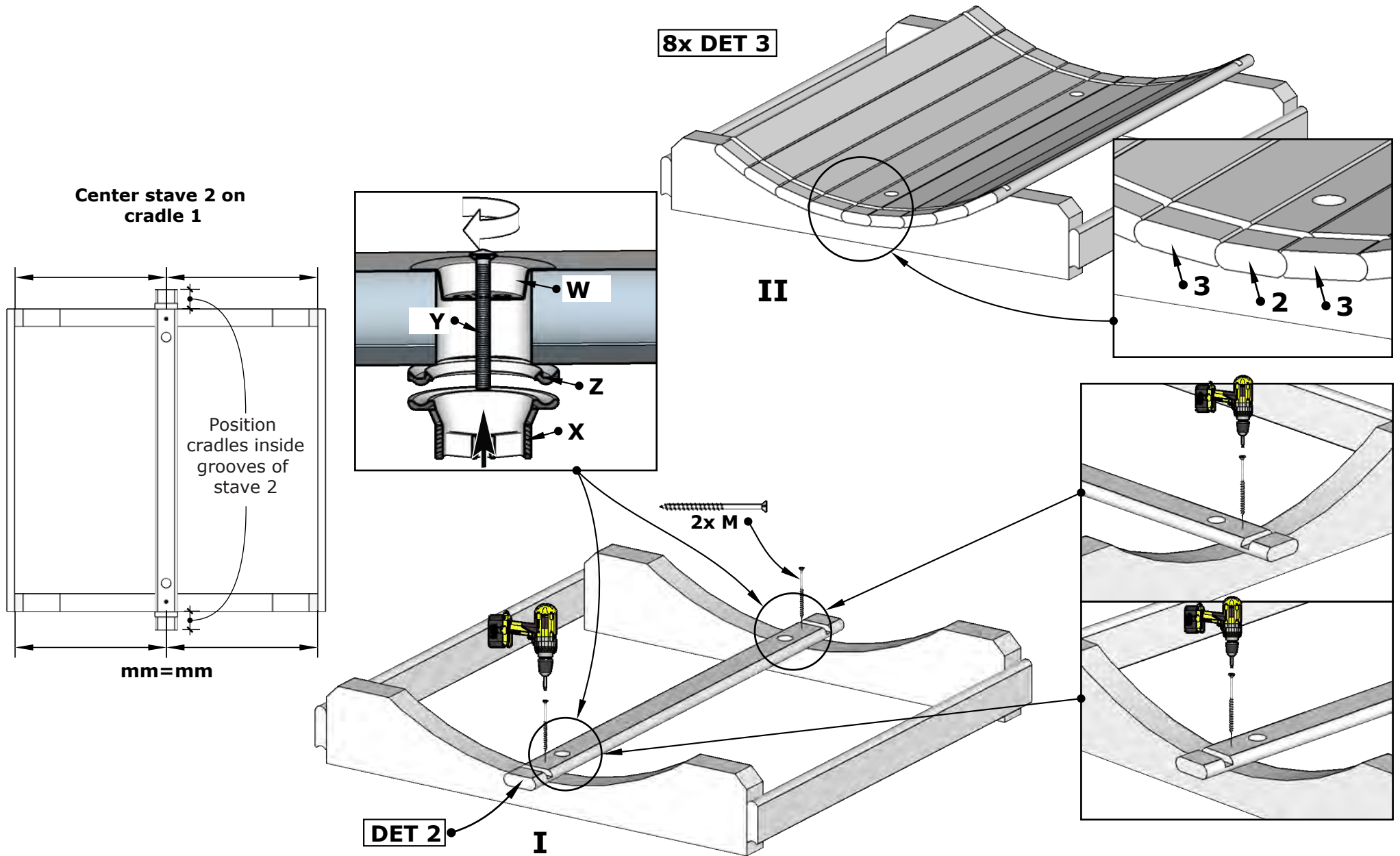
## III

# E7G Barrel Sauna 71D" x 81H"

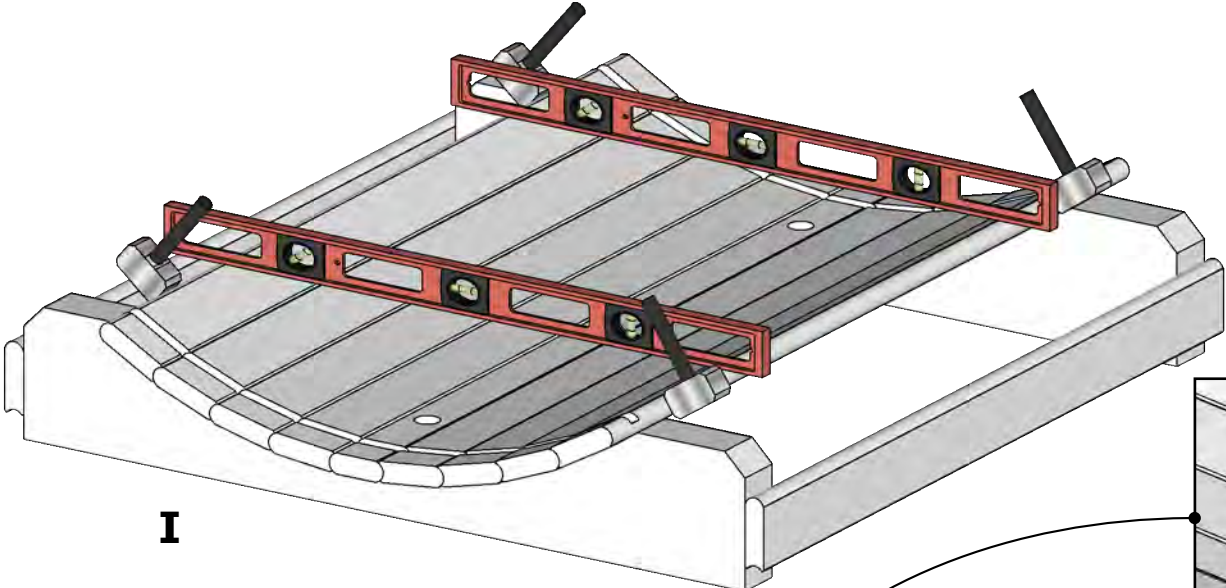


1.

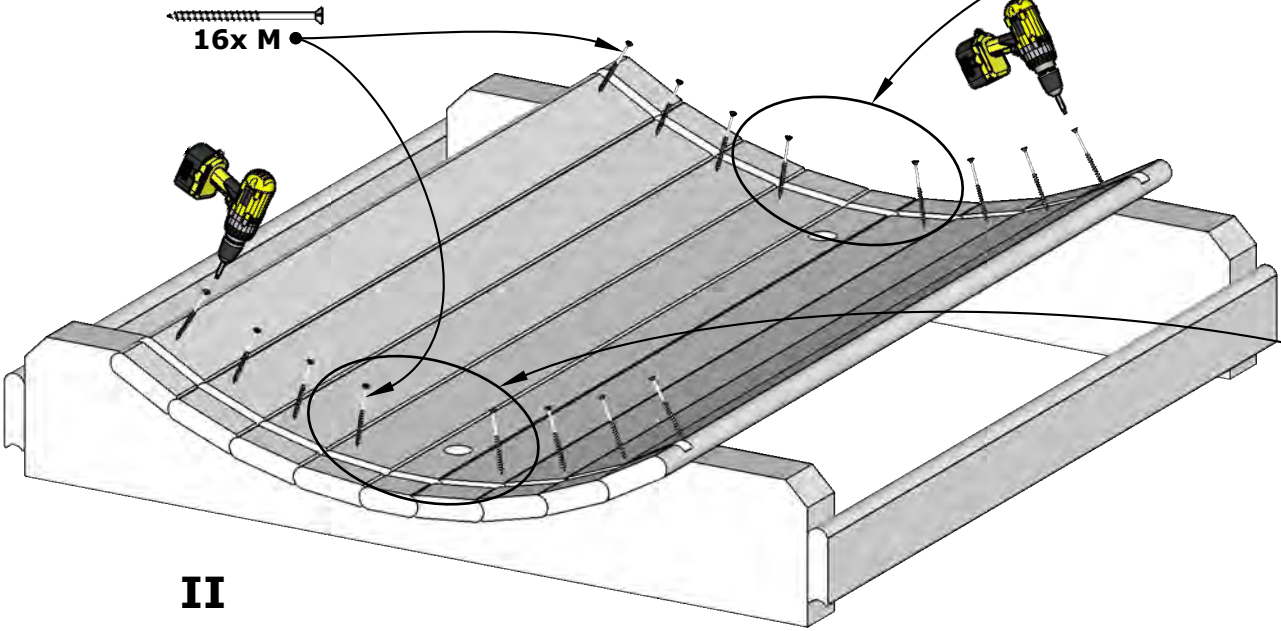
# E7G Barrel Sauna 71D" x 81H"



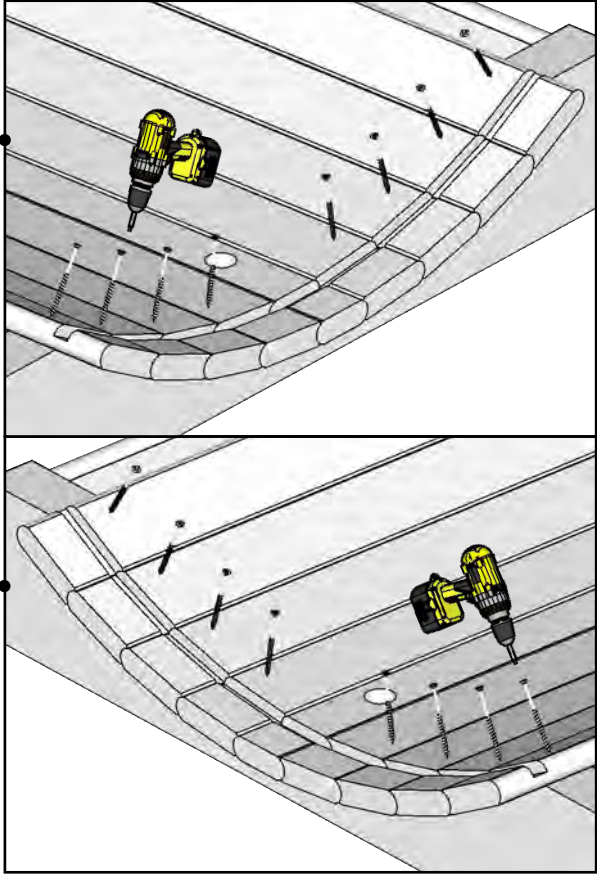
E7G Barrel Sauna 71D" x 81H"



I

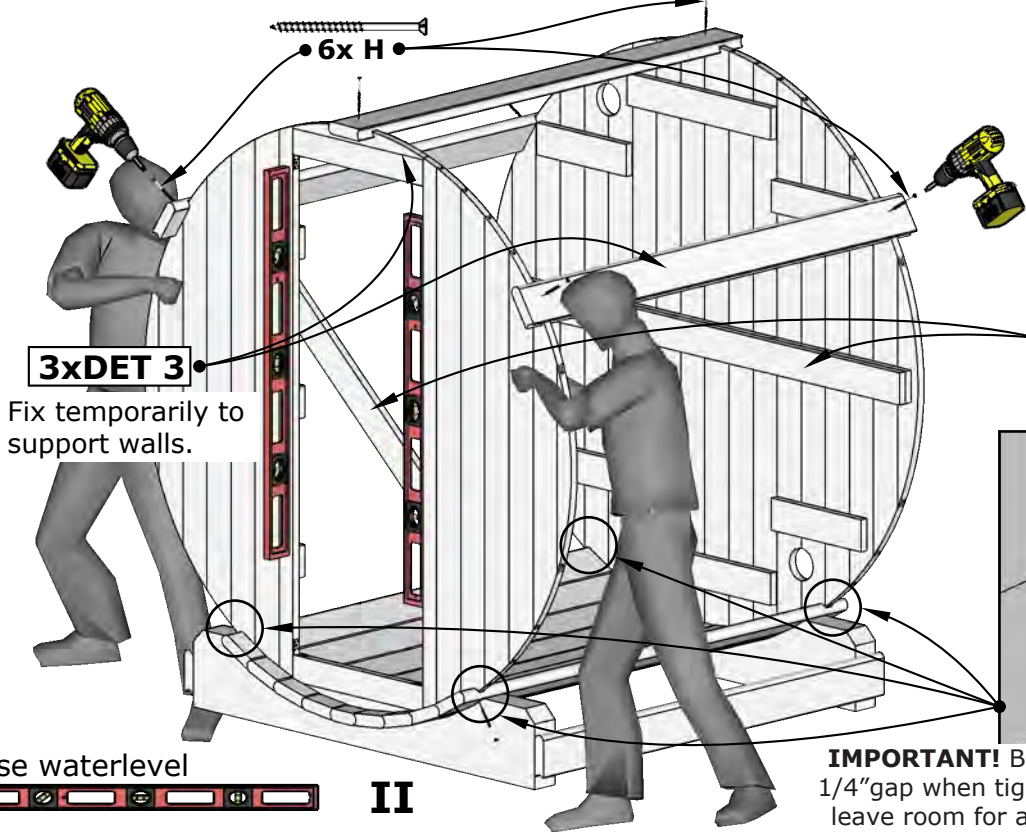
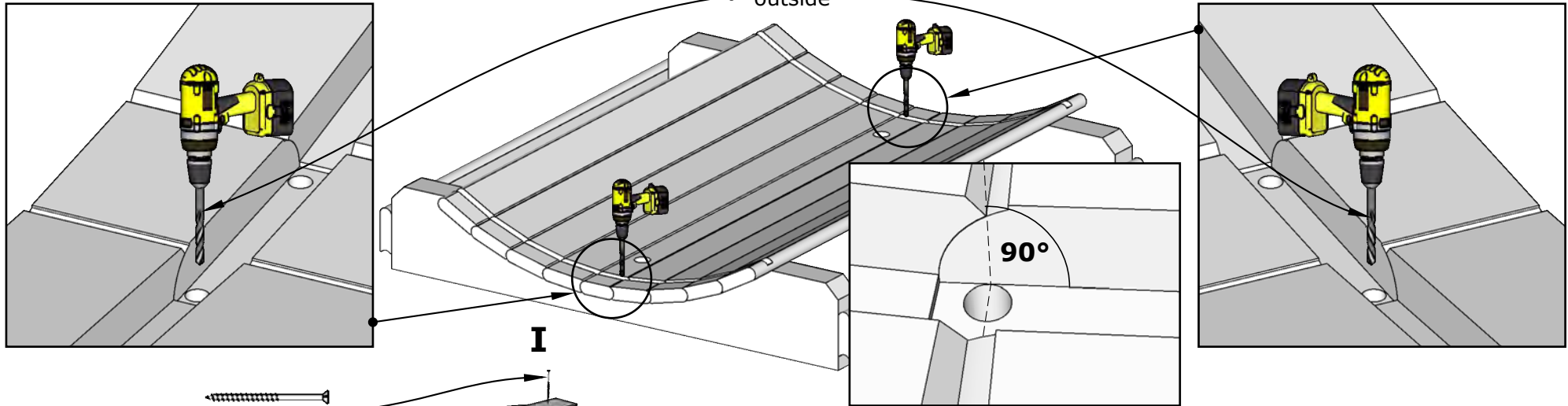


II



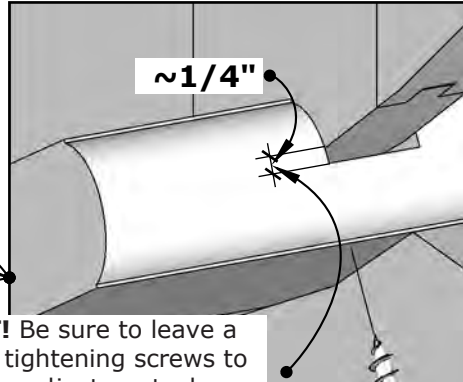
# E7G Barrel Sauna 71D" x 81H"

Drill 4 holes  $\varnothing 1/2"$   
through DET 2  
outside

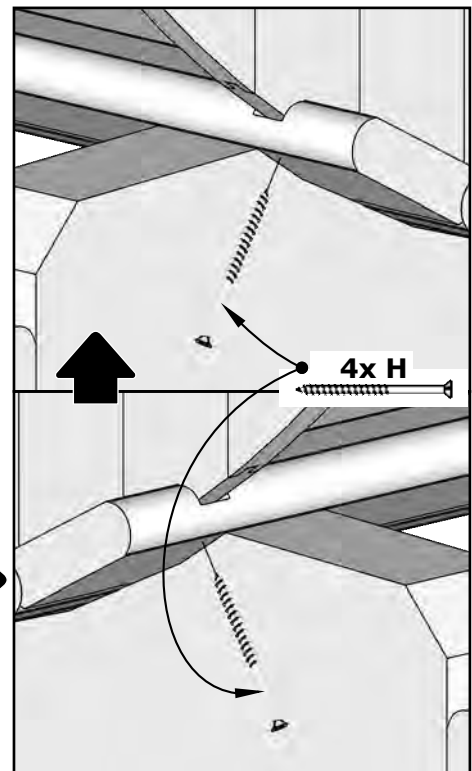


**Check walls installation  
manual on extra pages!**

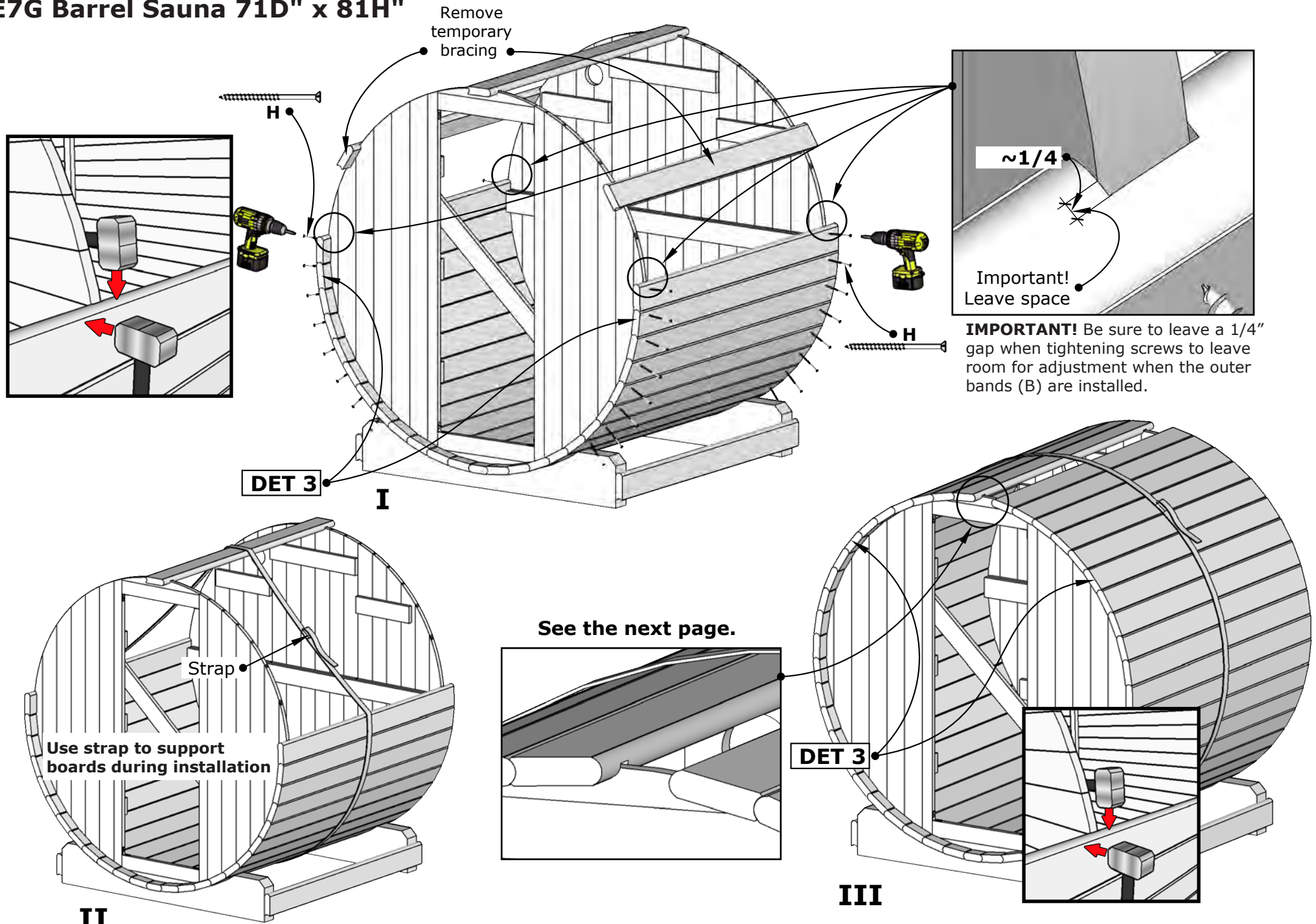
**Sauna wall configuration  
depends on Your model!**



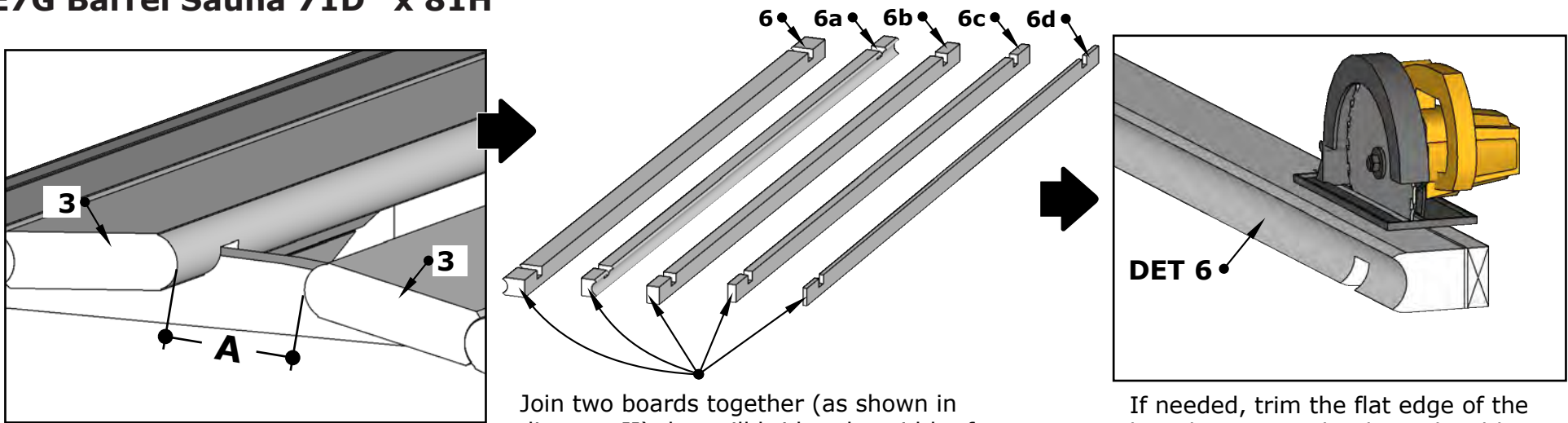
**IMPORTANT!** Be sure to leave a  
1/4" gap when tightening screws to  
leave room for adjustment when  
the outer bands (B) are installed.



# E7G Barrel Sauna 71D" x 81H"



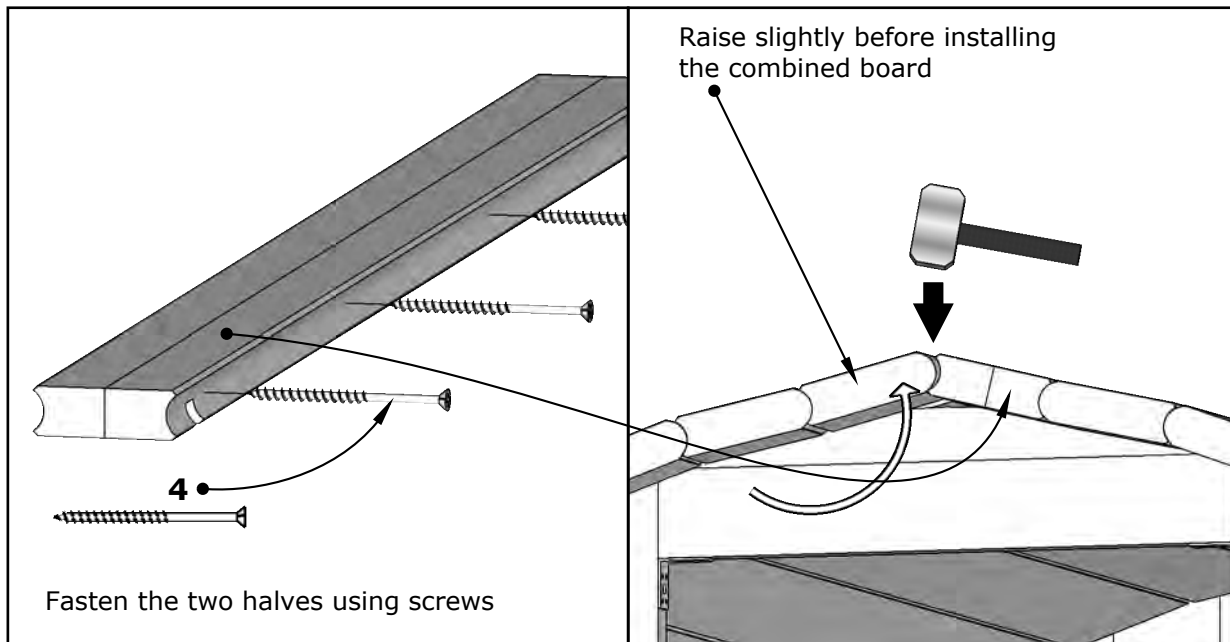
# E7G Barrel Sauna 71D" x 81H"



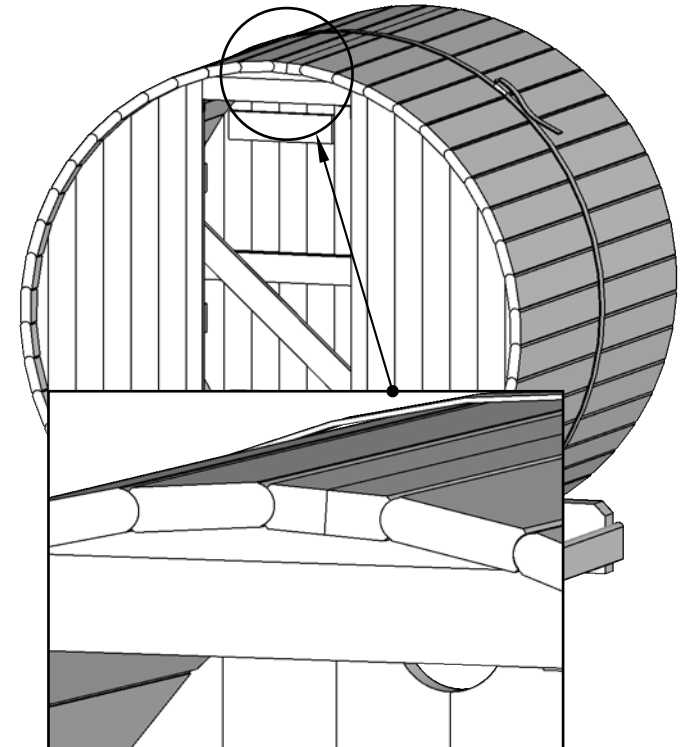
**I**

Join two boards together (as shown in diagram II) that will bridge the width of the "A" gap. It is recommended that the combined boards are approximately 1/4" wider than the gap.

If needed, trim the flat edge of the board to create the desired width.

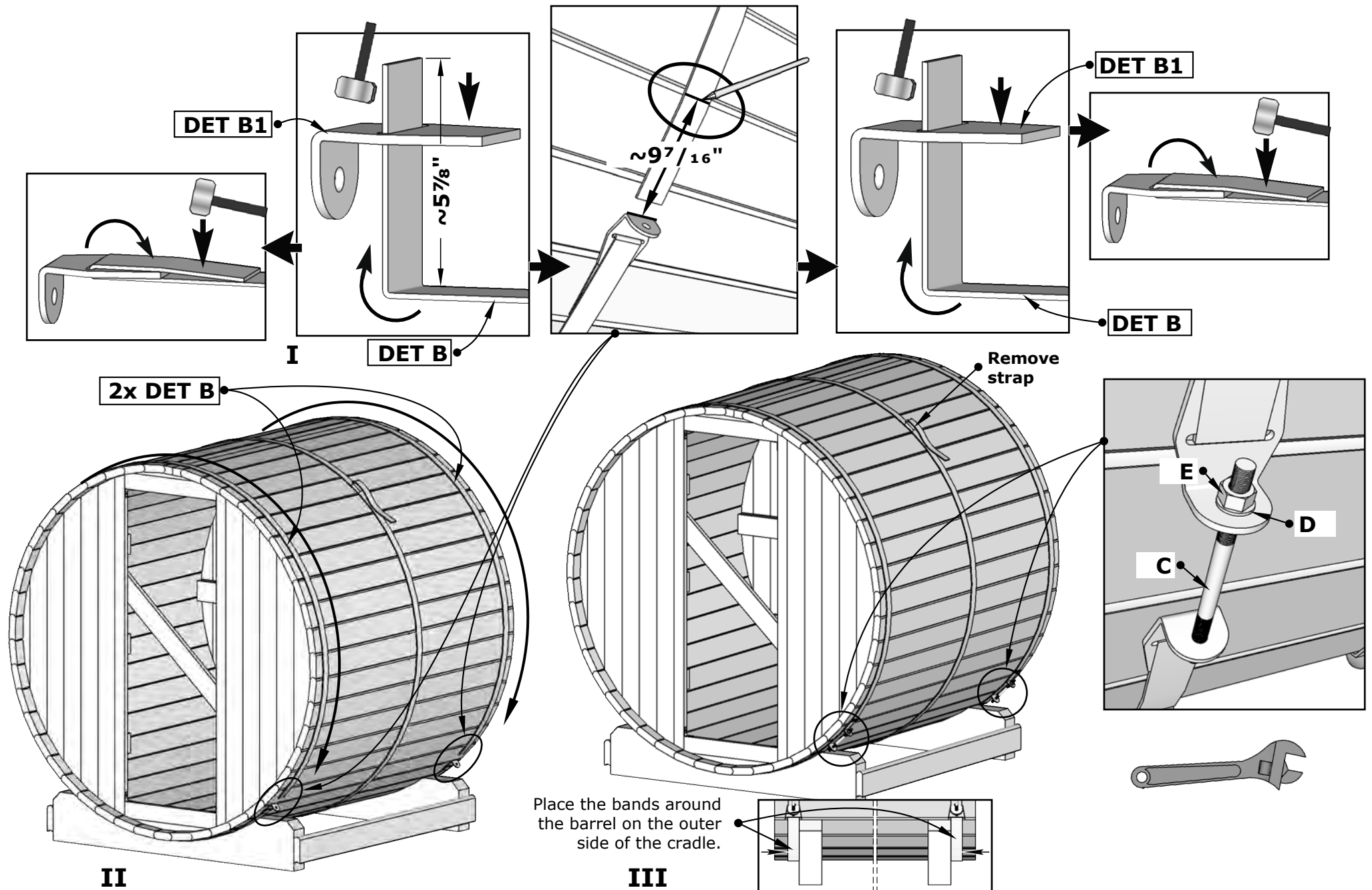


**II**



**III**

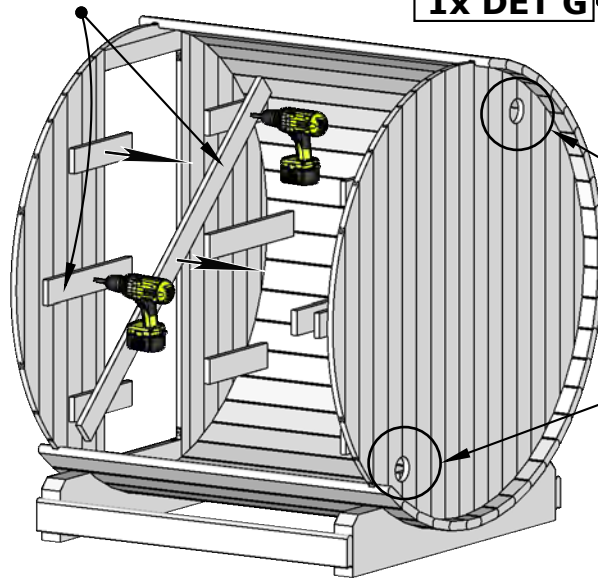
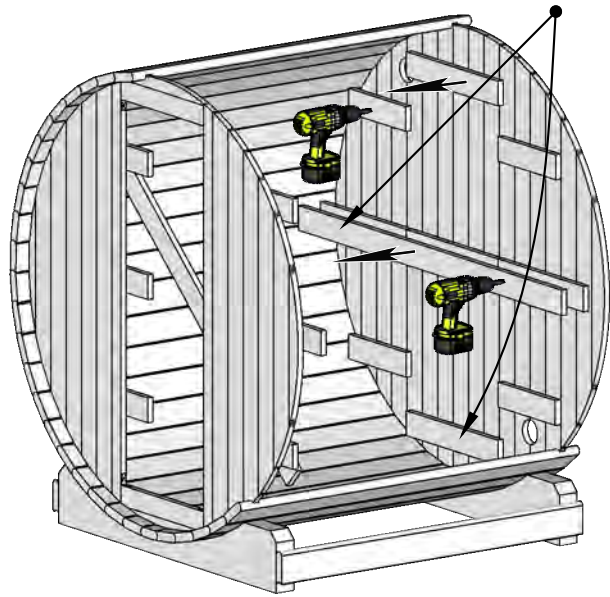
# E7G Barrel Sauna 71D" x 81H"



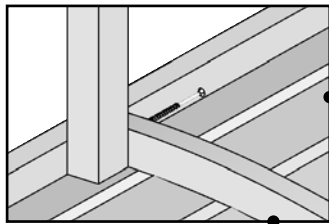
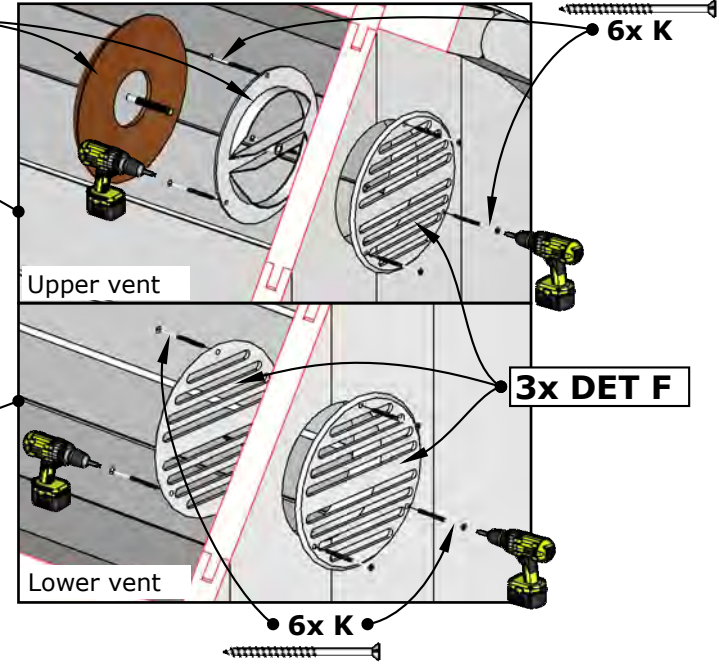


# E7G Barrel Sauna 71D" x 81H"

Remove all temporary braces



1x DET G



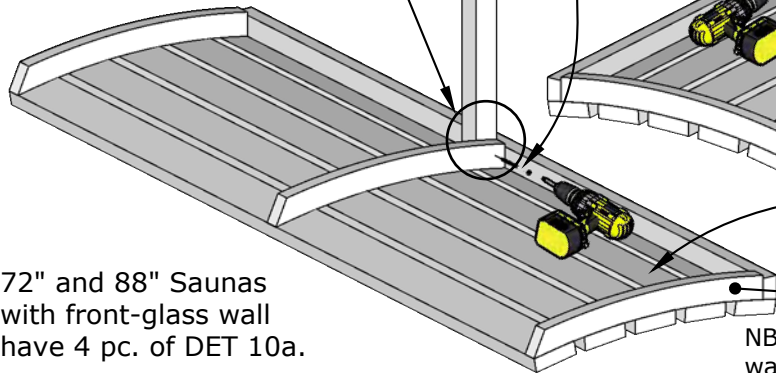
Pre-drill holes  $\varnothing 5/32"$  before screws.

I

2x DET 10a

2x H

2x DET 10

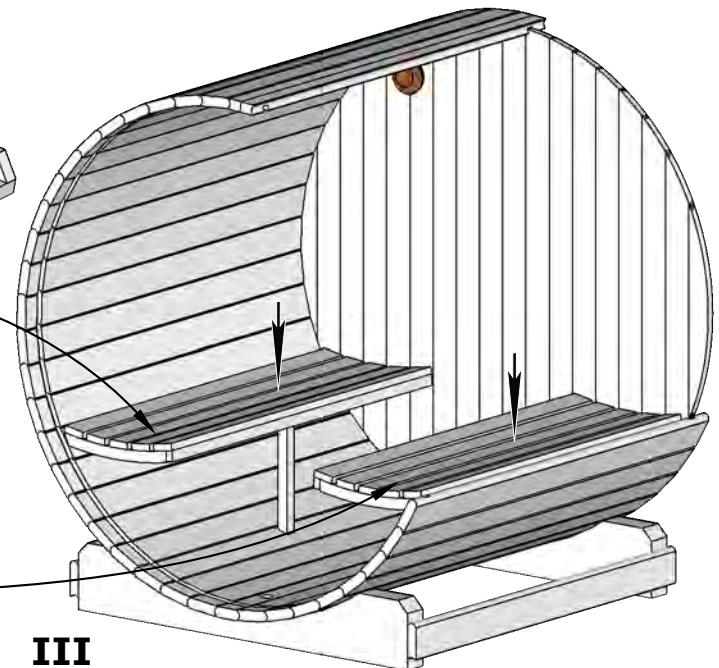


72" and 88" Saunas with front-glass wall have 4 pc. of DET 10a.

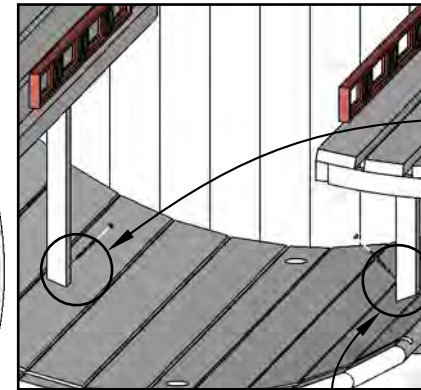
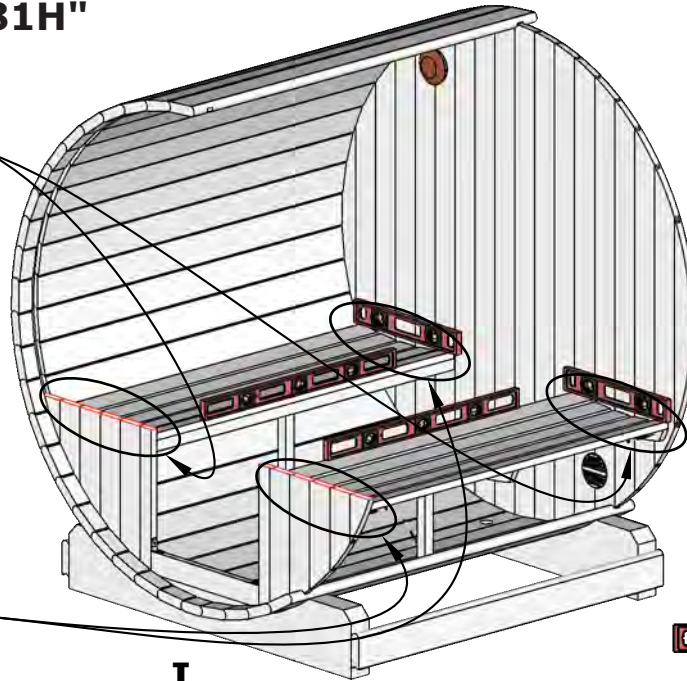
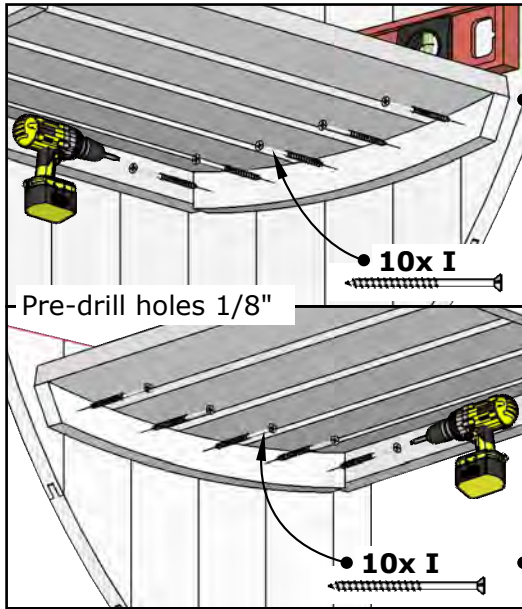
II

NB! If Your sauna equipped with front-glass wall, see front-glass wall installation manual for proper benches installation.

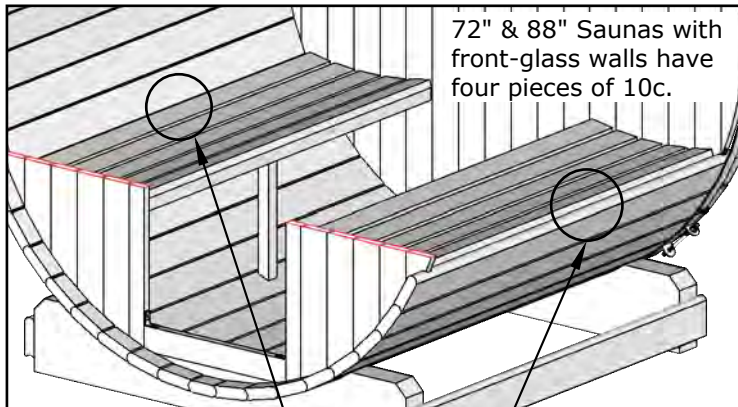
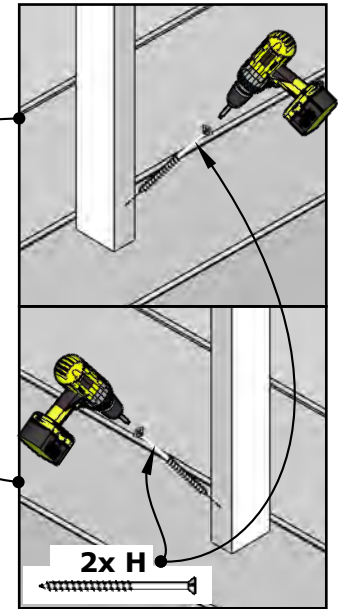
III



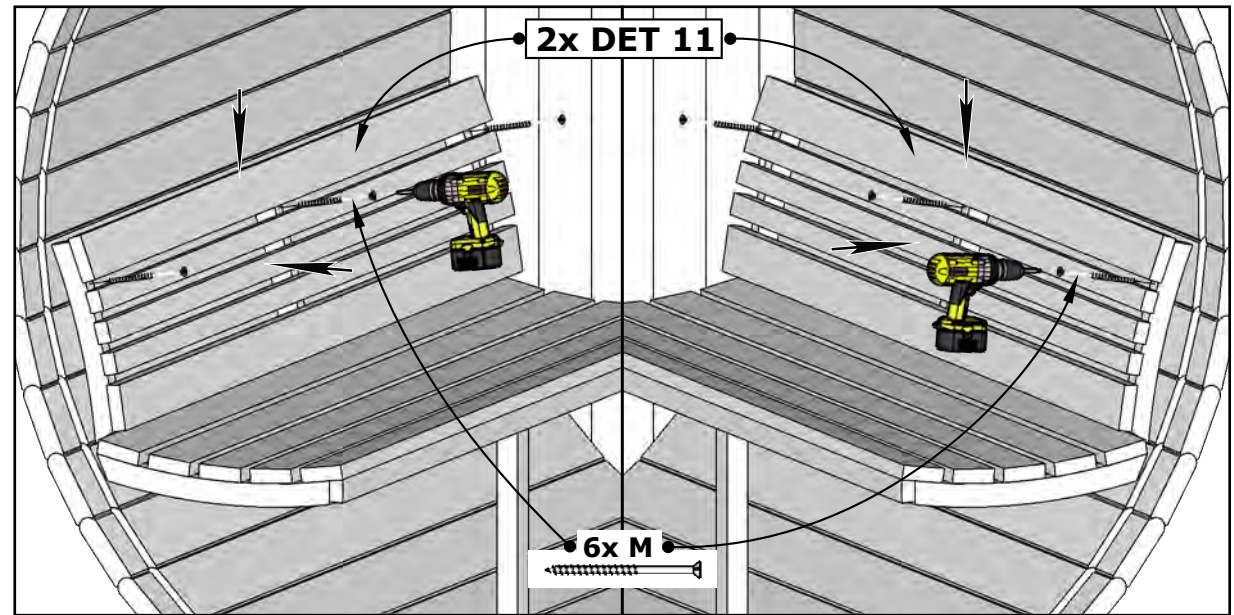
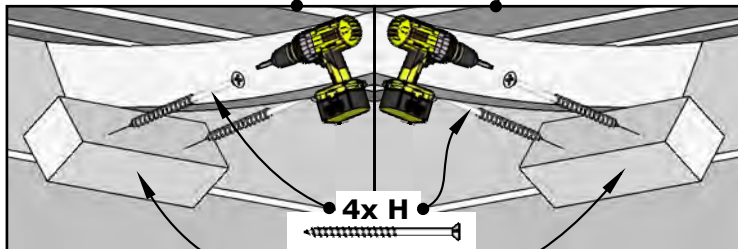
# E7G Barrel Sauna 71D" x 81H"



Use level for installation of benches

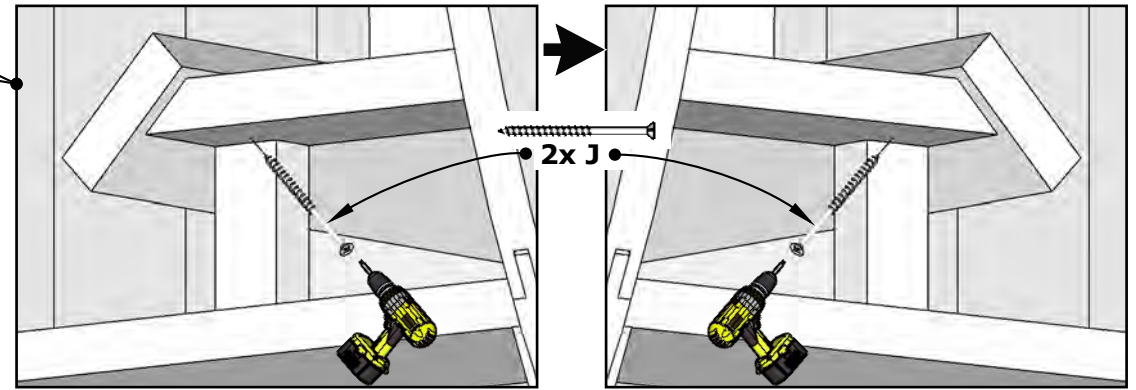
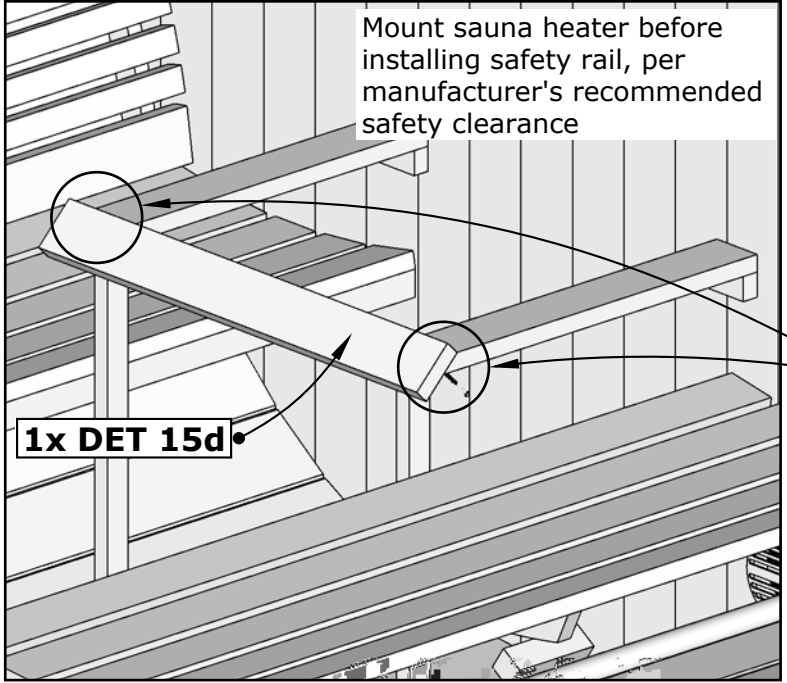
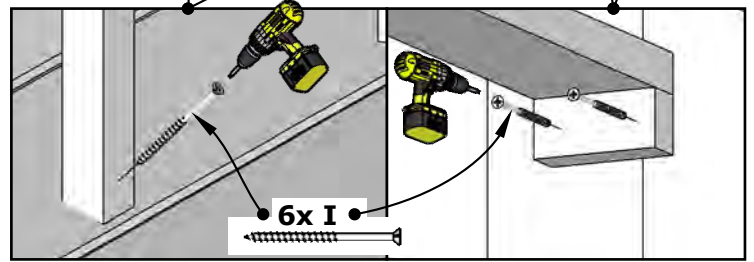
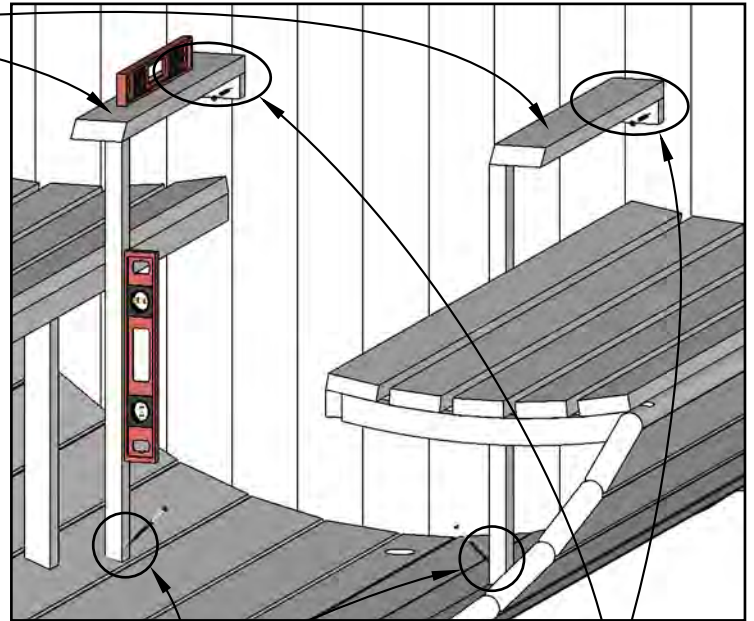
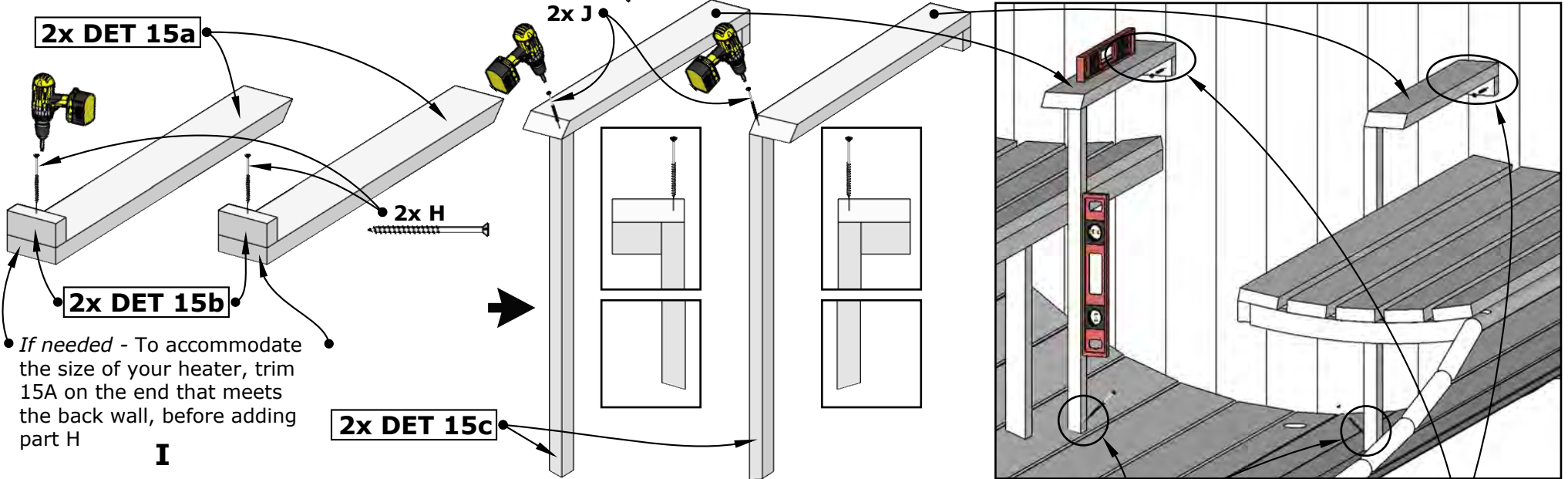


Under the benches



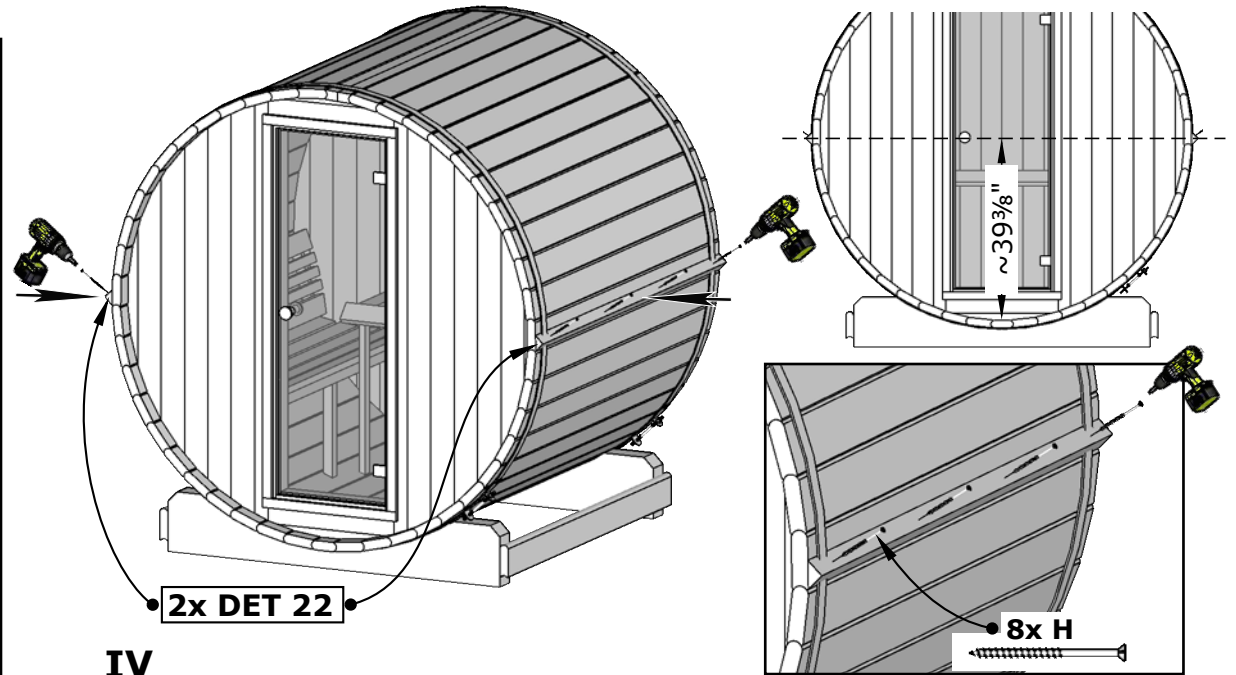
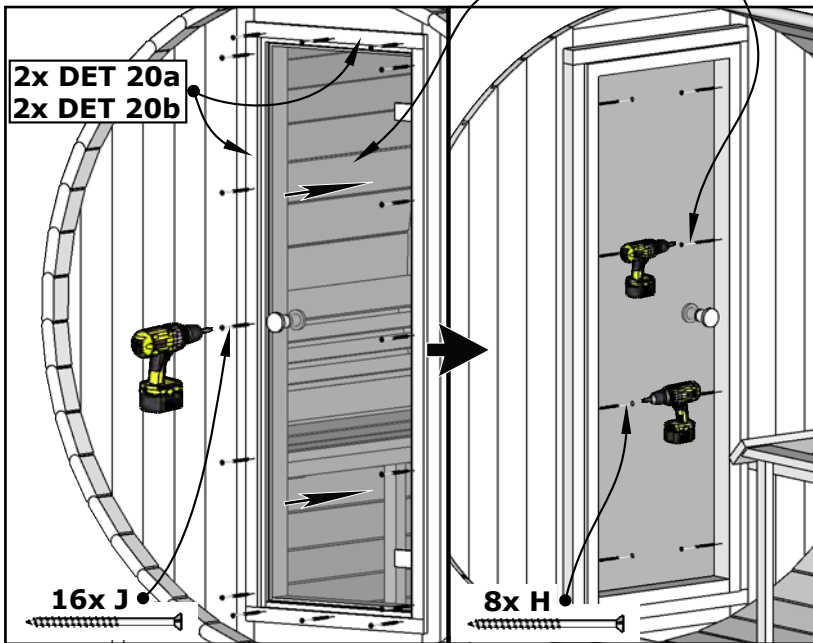
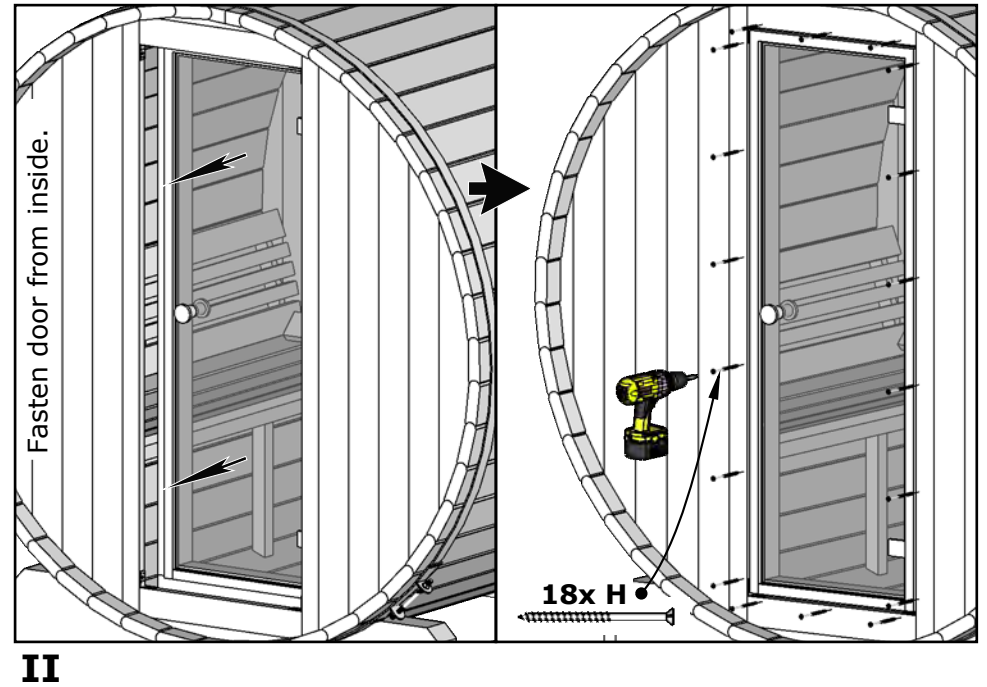
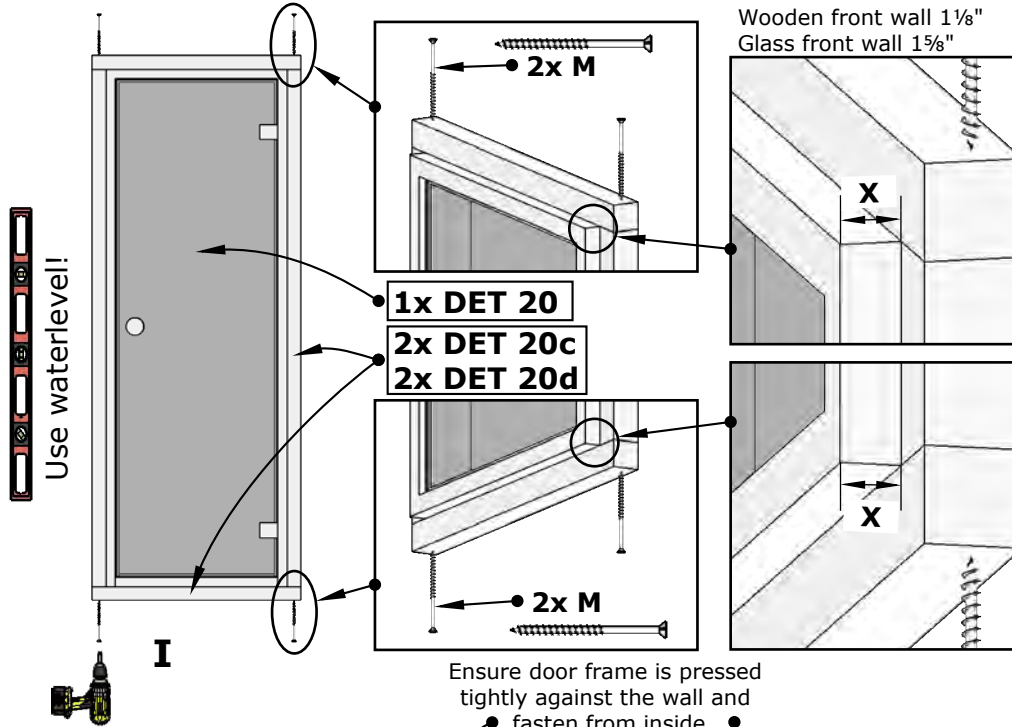
III

# E7G Barrel Sauna 71D" x 81H"



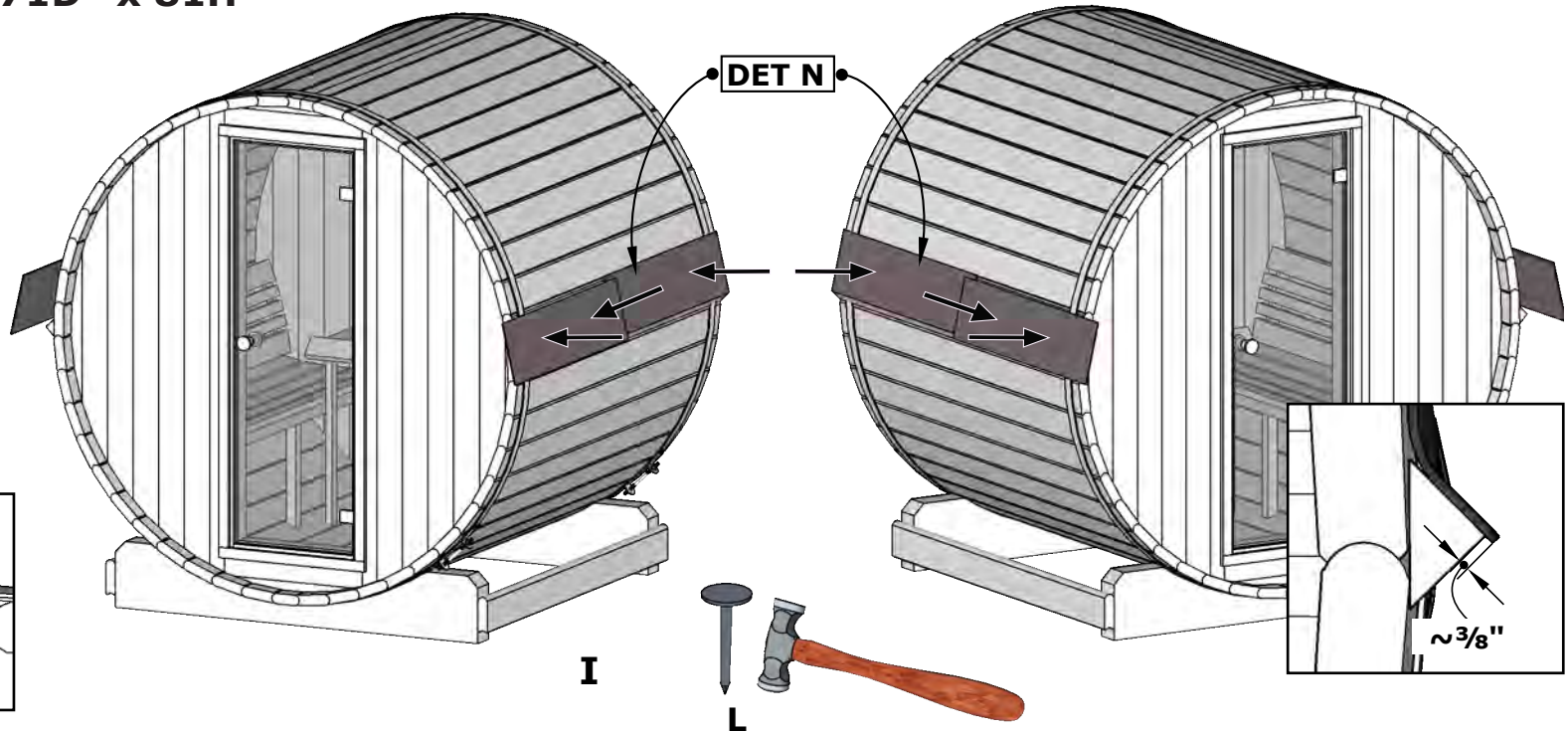
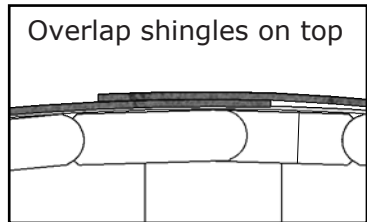
# E7G Barrel Sauna 71D" x 81H"

X= Front wall thickness  
 Wooden front wall 1 1/8"  
 Glass front wall 1 5/8"

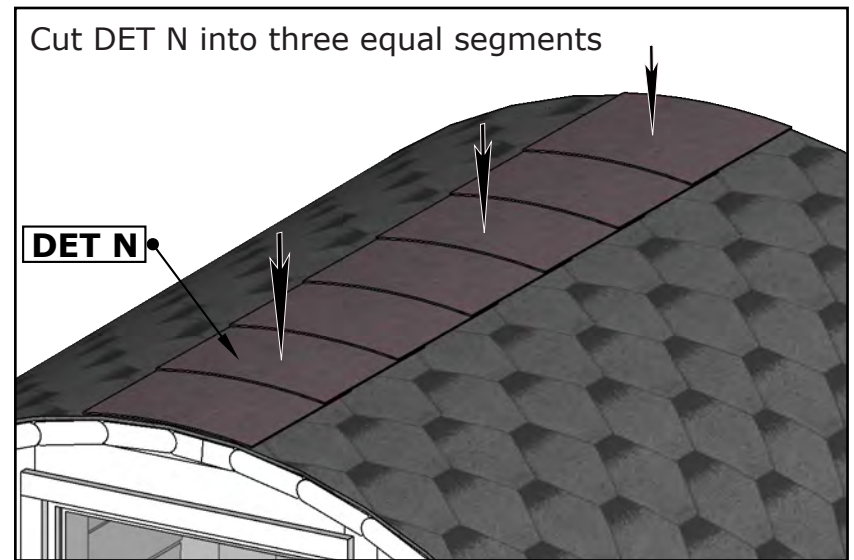
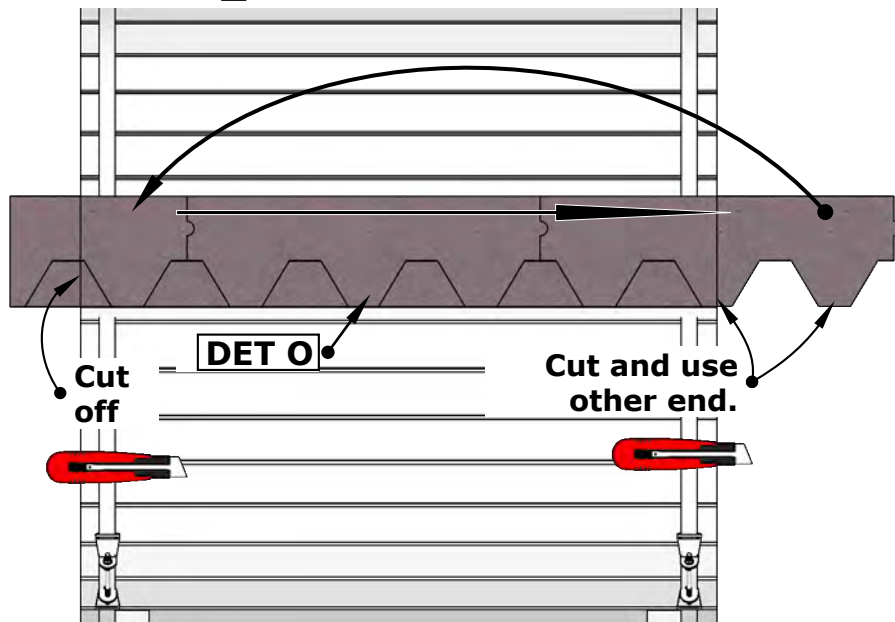


# E7G Barrel Sauna 71D" x 81H"

See the installation manual inside the shingles package



Check also roof shingles installation manual inside package.



# E7G Barrel Sauna 71D" x 81H"

