



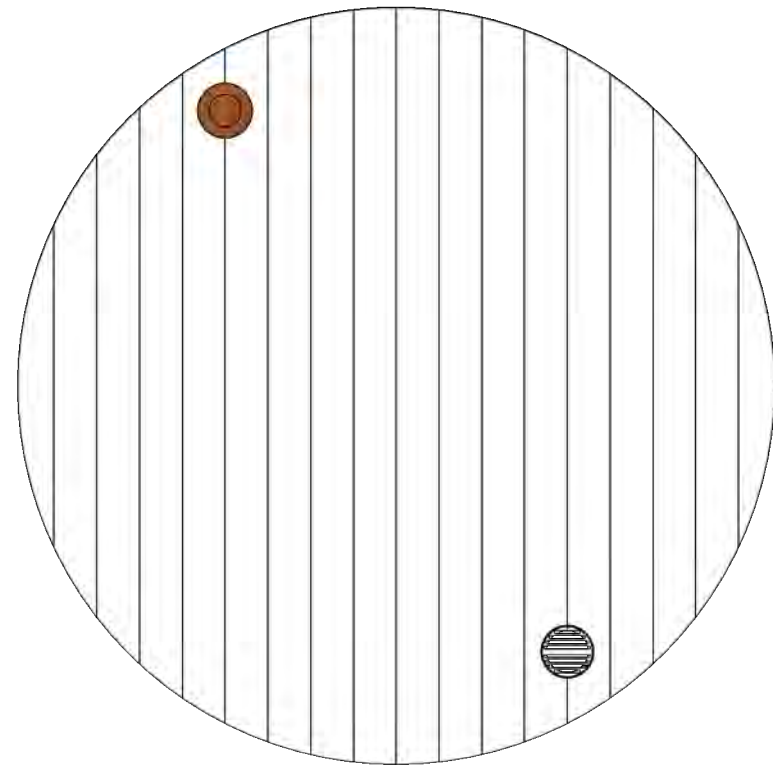
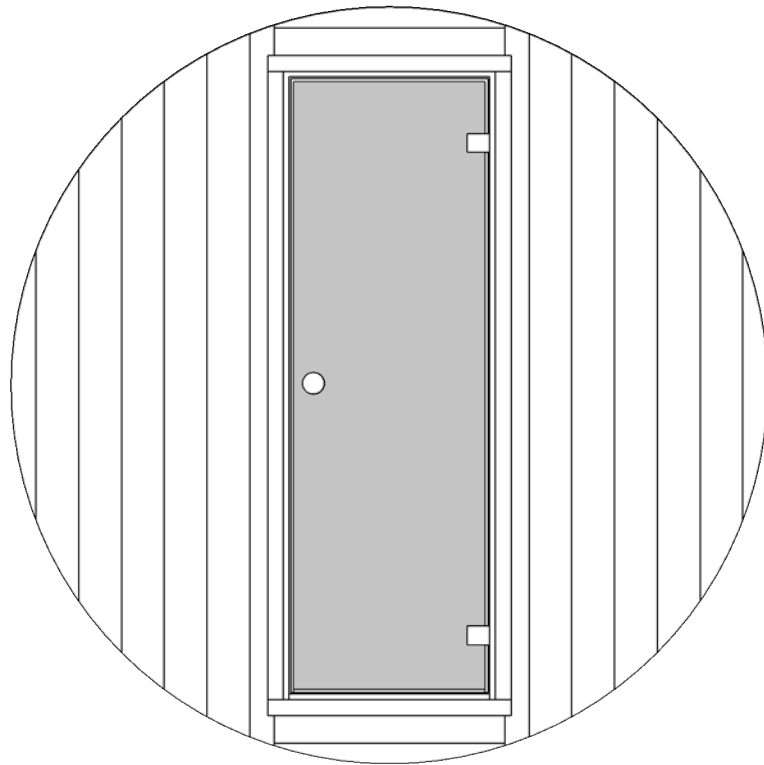
Ergo-Series E7 Barrel Sauna  
71D" x 81H"



**Note: Please read manual before construction**

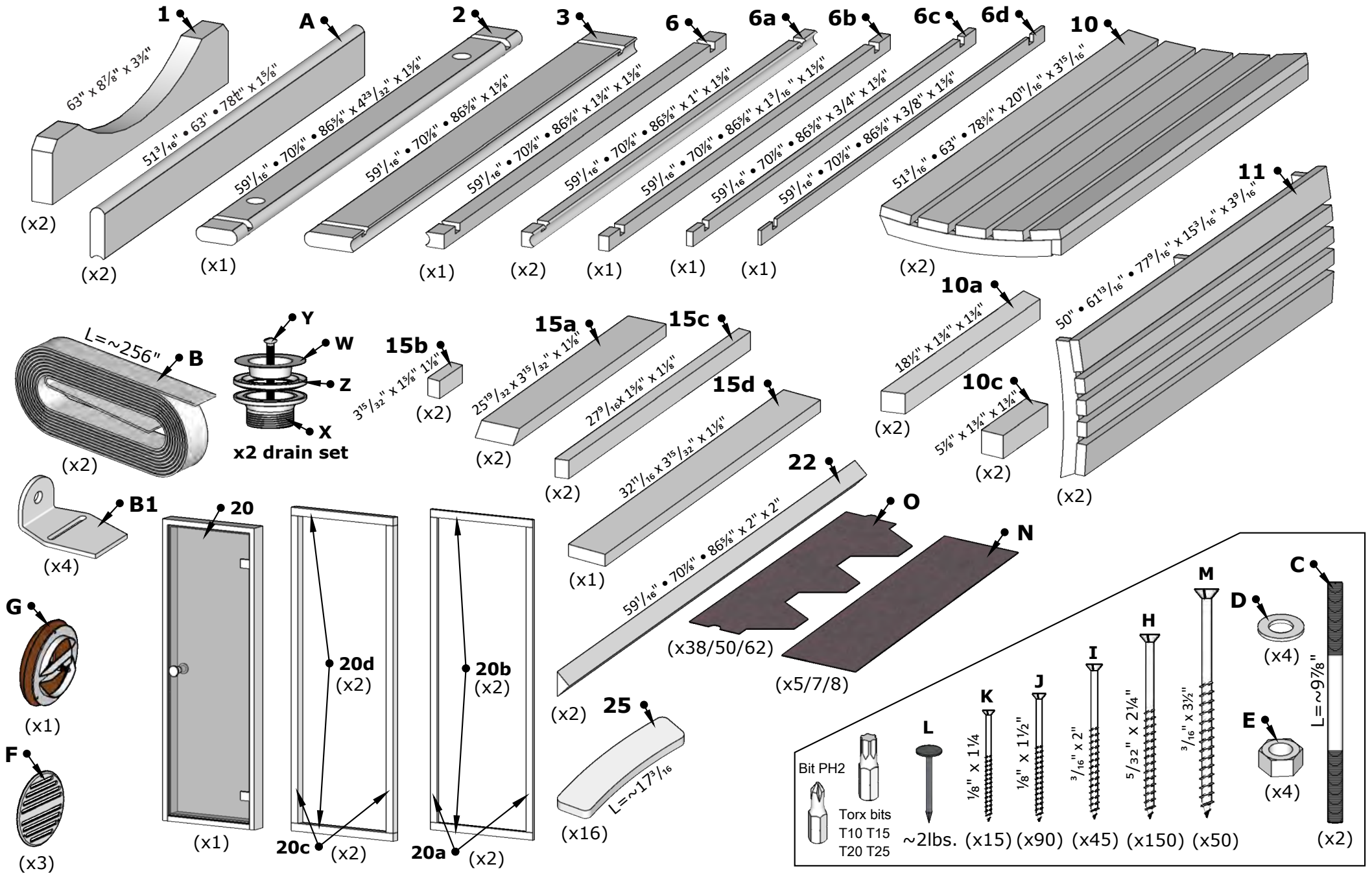
Rev 4/2023

# Front & Back Walls

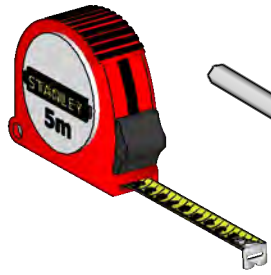


# E7 Barrel Sauna 71D" x 81H"

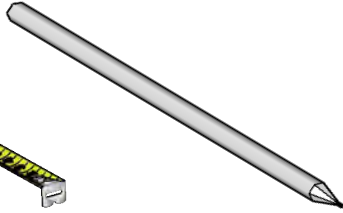
## Details list.



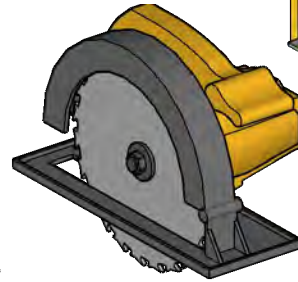
## Tools needed



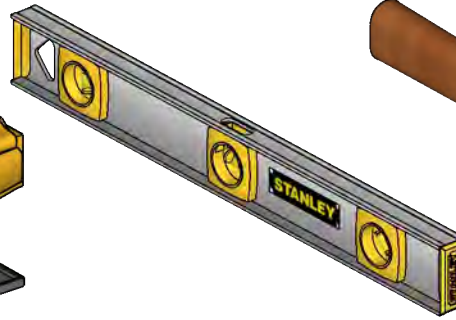
Measuring tape



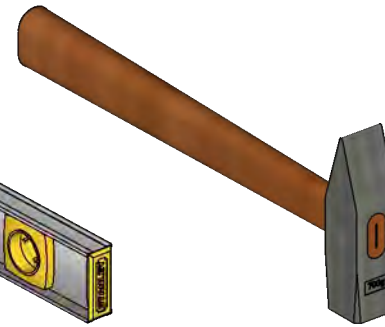
Marker pen



Circular saw



Water level



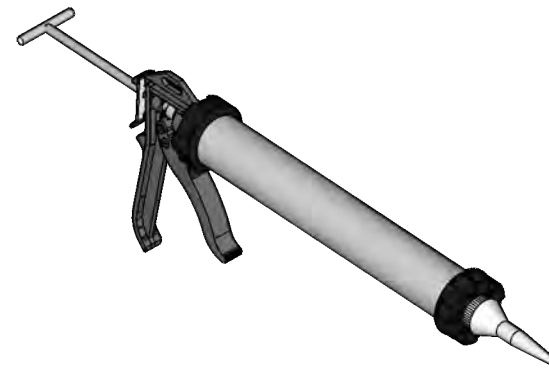
Hammer



Extra hands



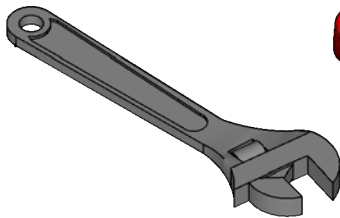
Ratchet strap



Silicone gun  
(Only glass-wall models)



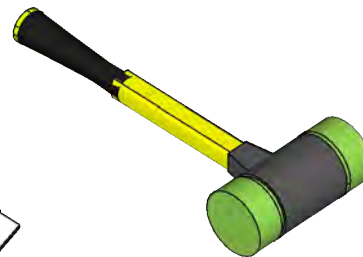
Drill



Crescent wrench



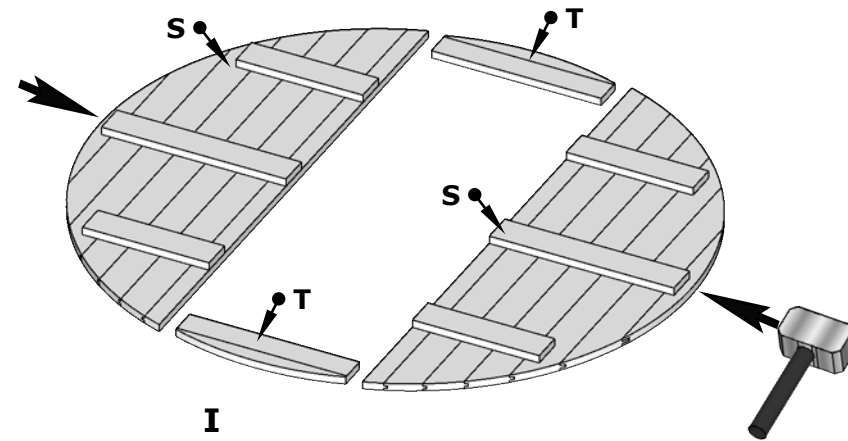
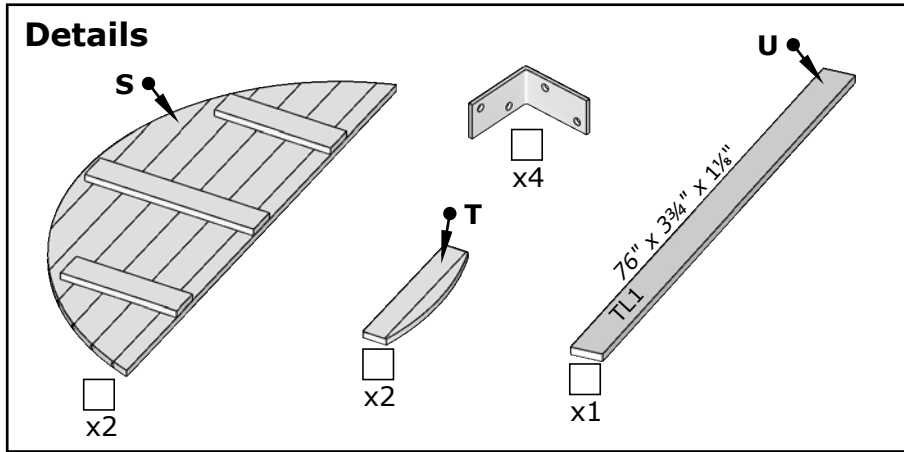
Utility knife



Rubber mallet

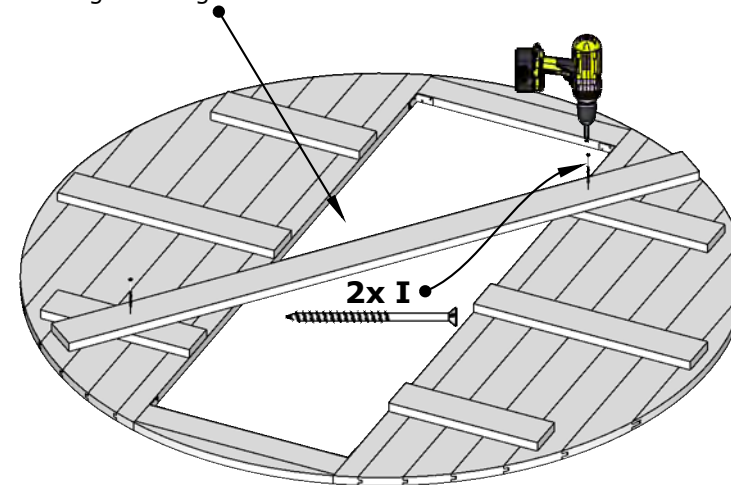
# Wooden front wall installation

## Details

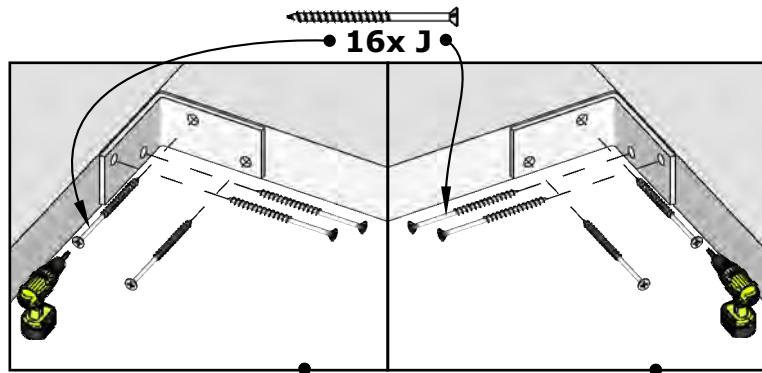


I

DET U Fix it diagonally to make wall more rigid during the installation.

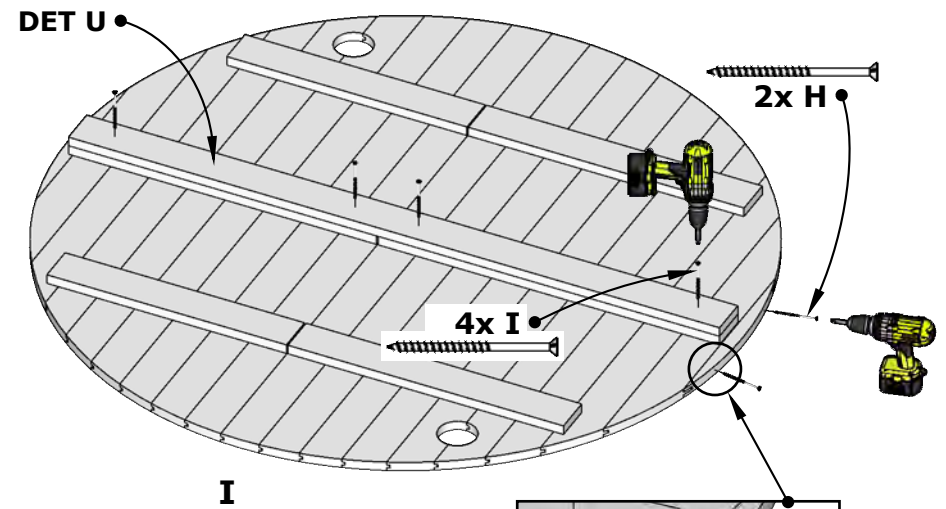
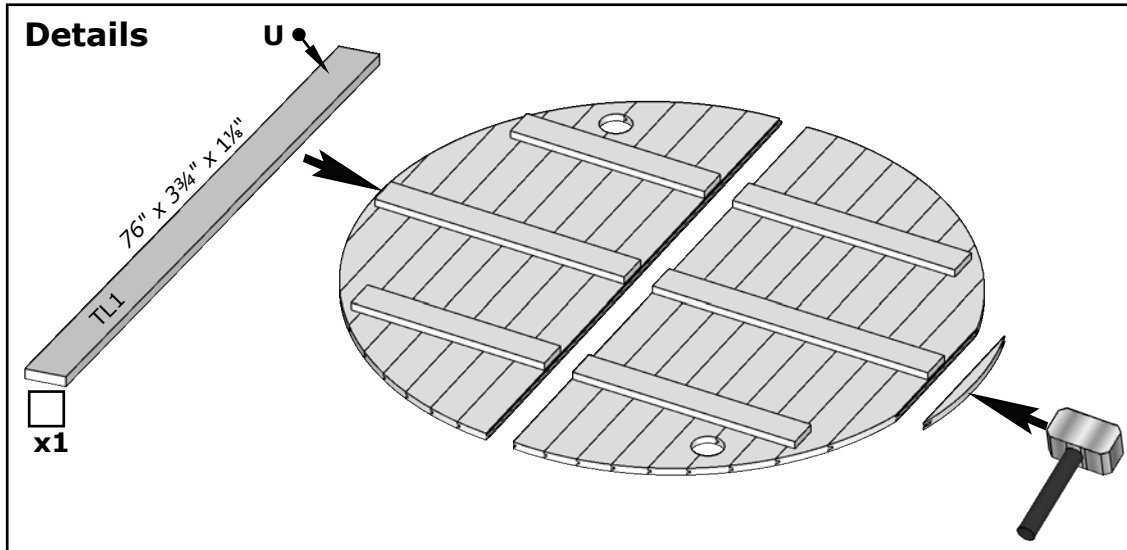


III

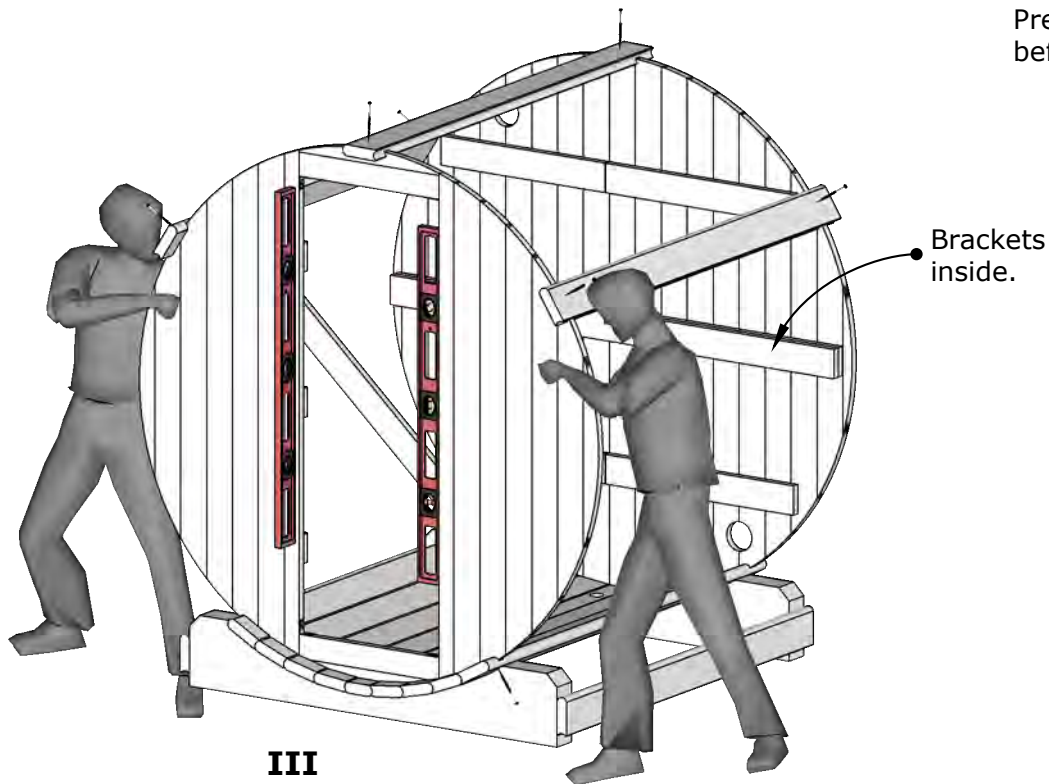


II

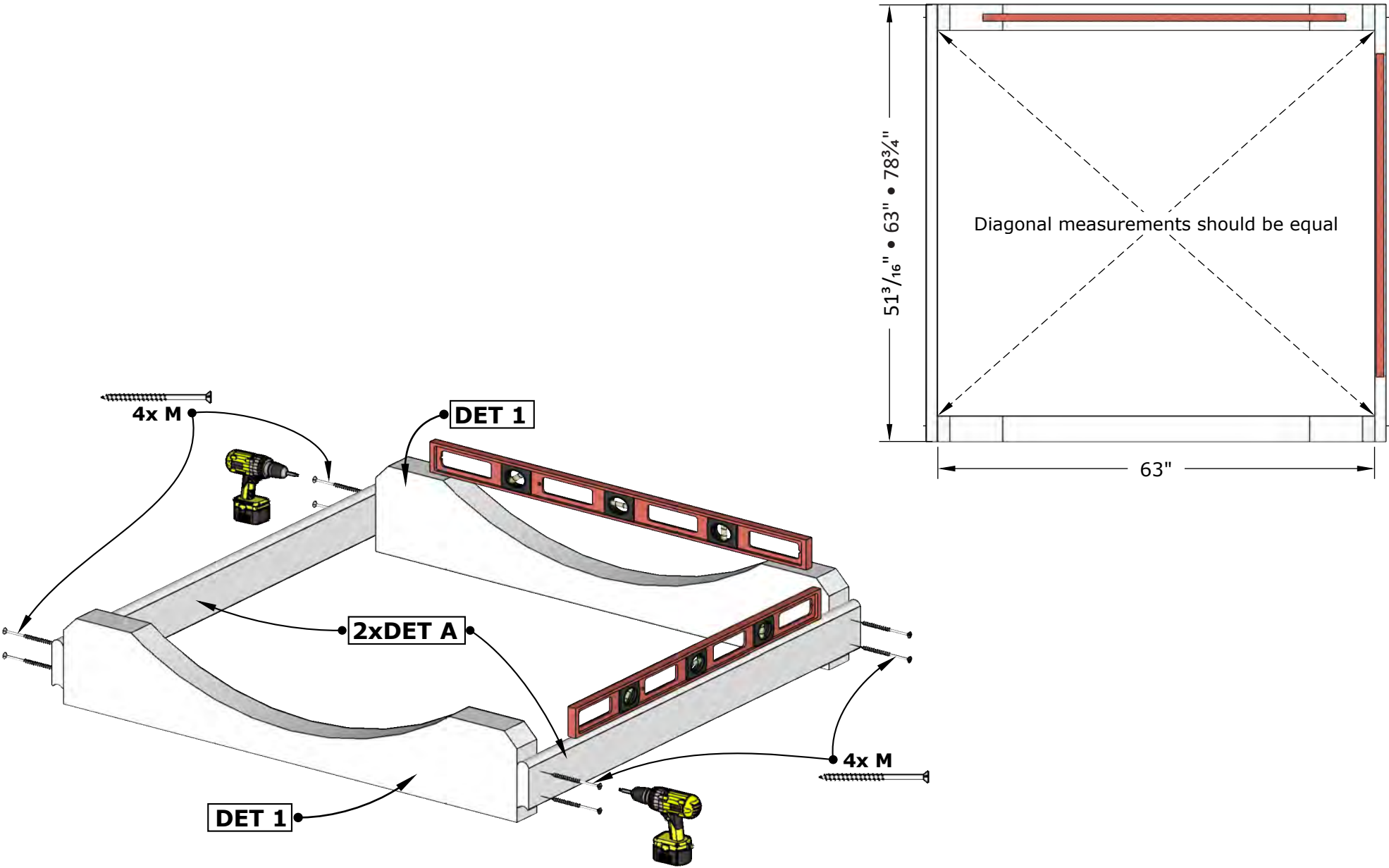
# Wooden back wall installation



Pre-drill holes 5/32"  
before screws.

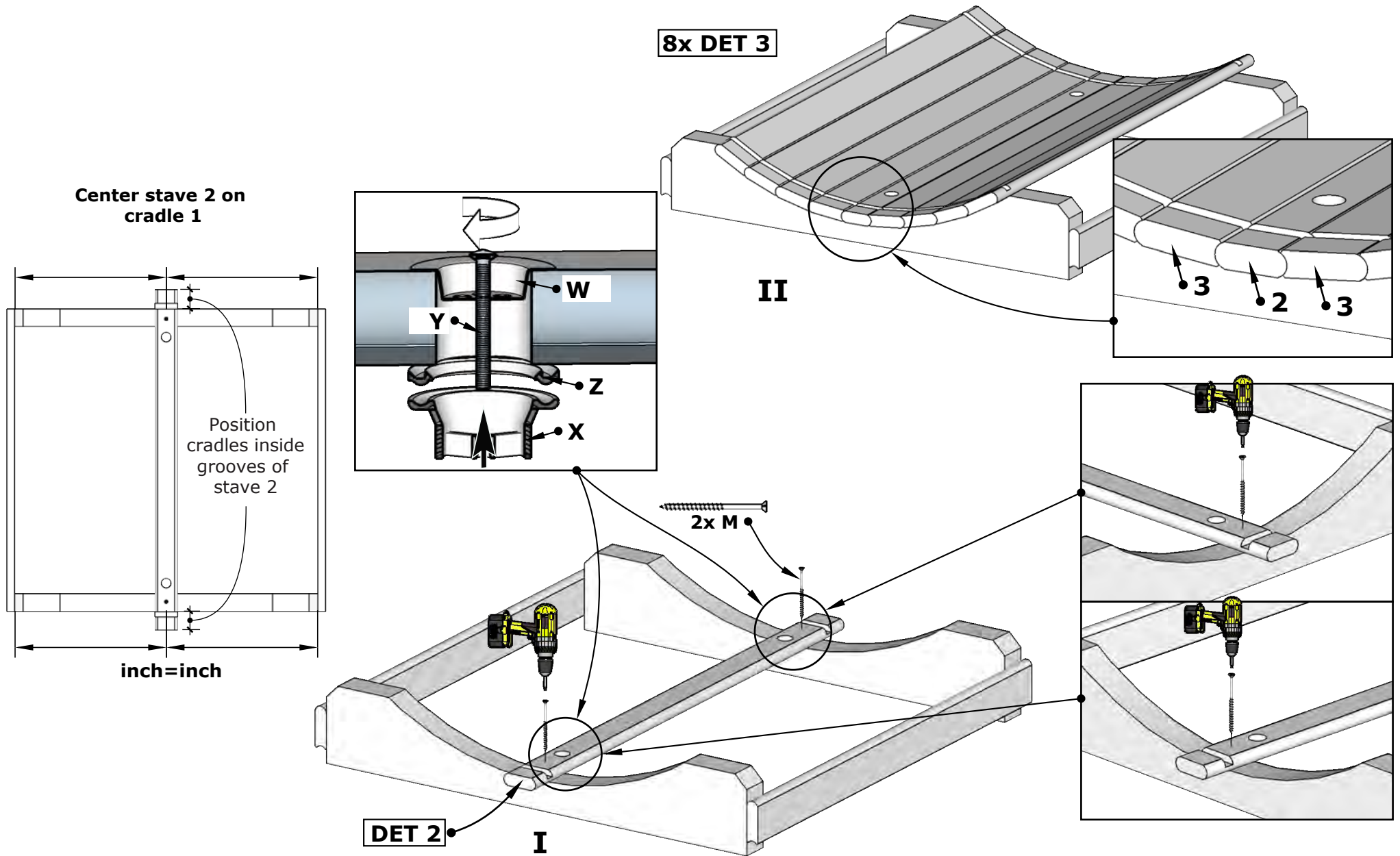


# E7 Barrel Sauna 71D" x 81H"



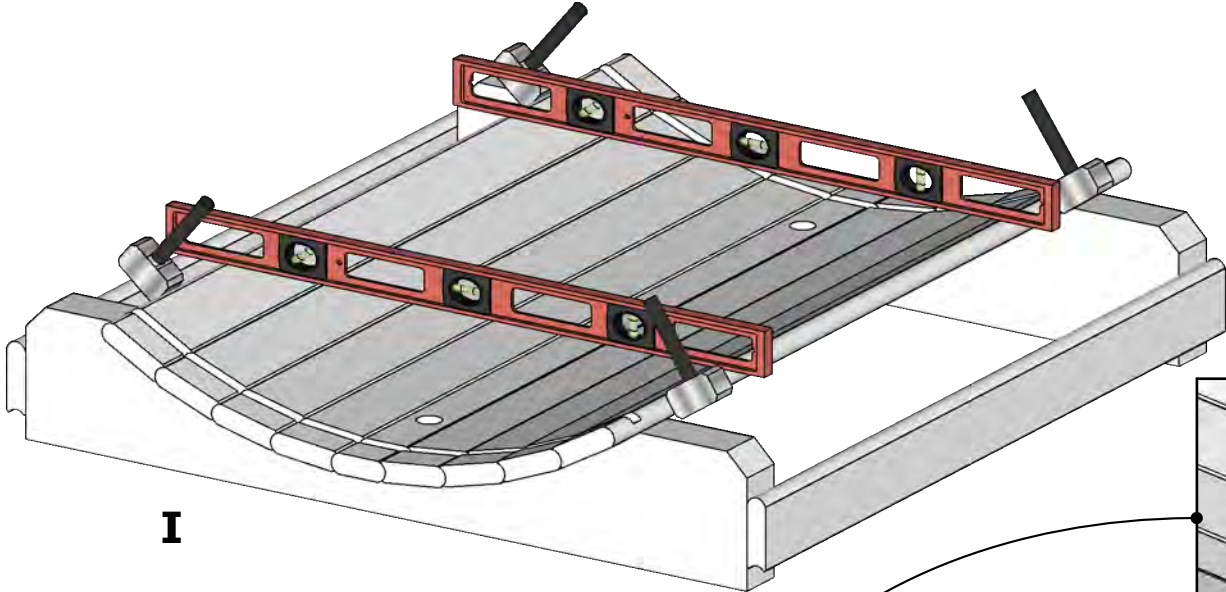
1.

# E7 Barrel Sauna 71D" x 81H"

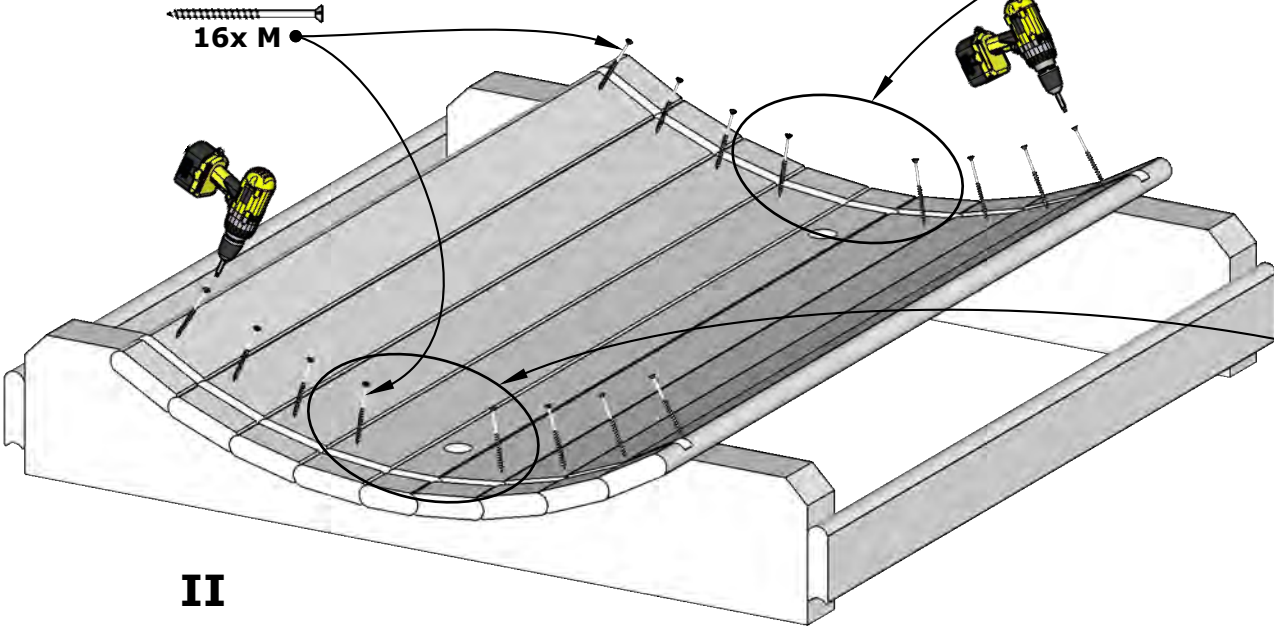




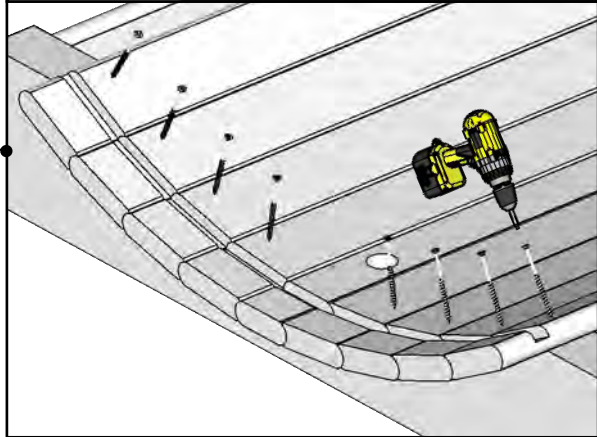
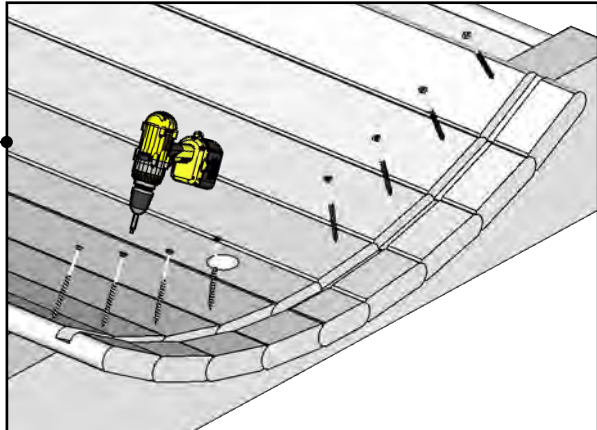
# E7 Barrel Sauna 71D" x 81H"



I

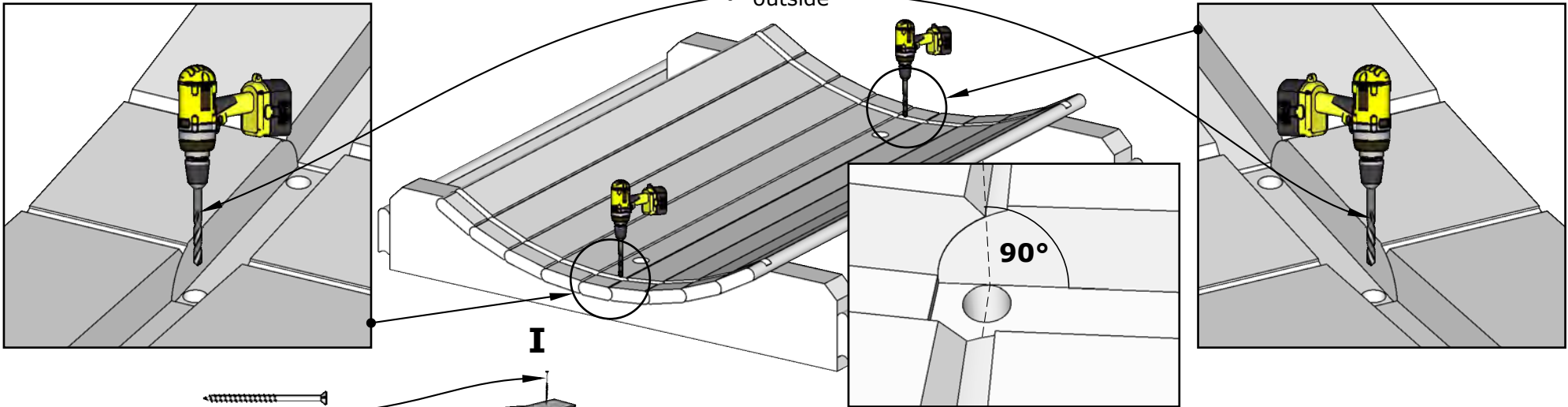


II

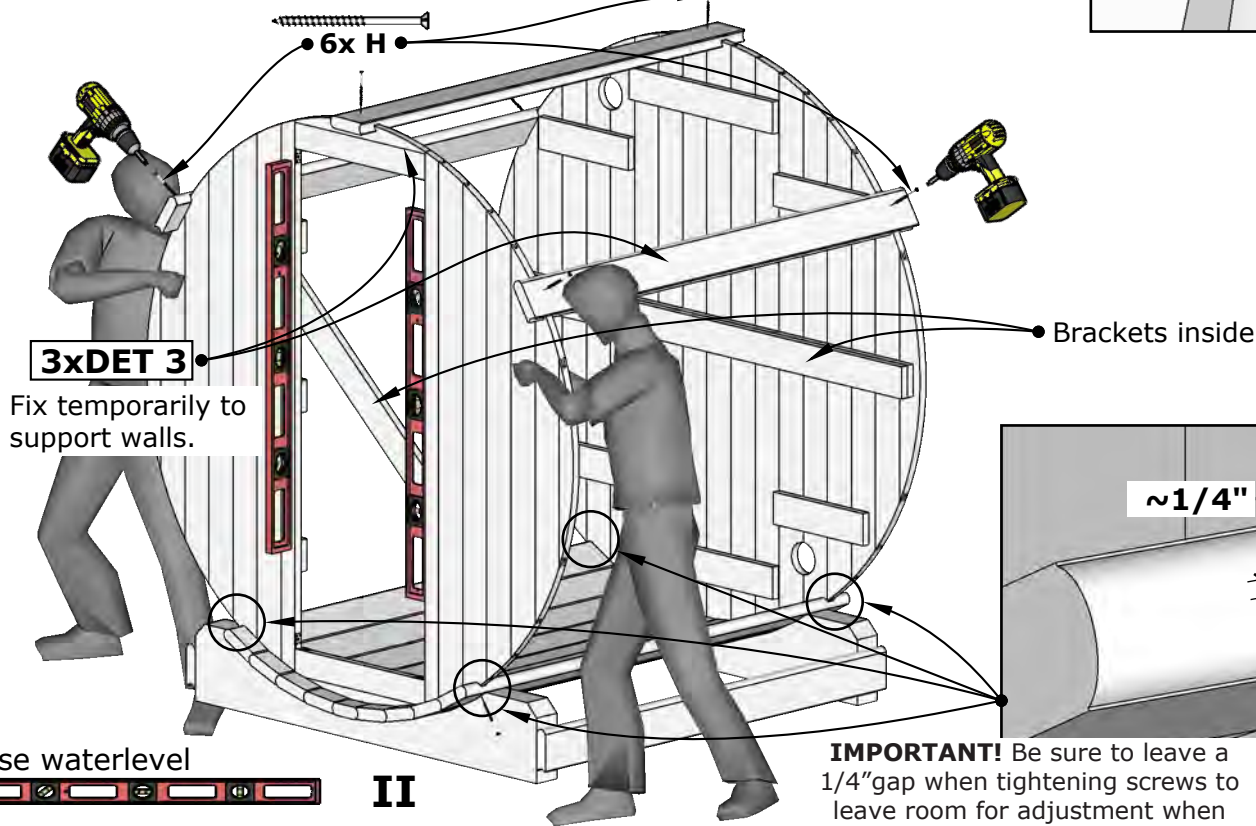


# E7 Barrel Sauna 71D" x 81H"

Drill 4 holes  $\varnothing 1/2"$   
through DET 2  
outside

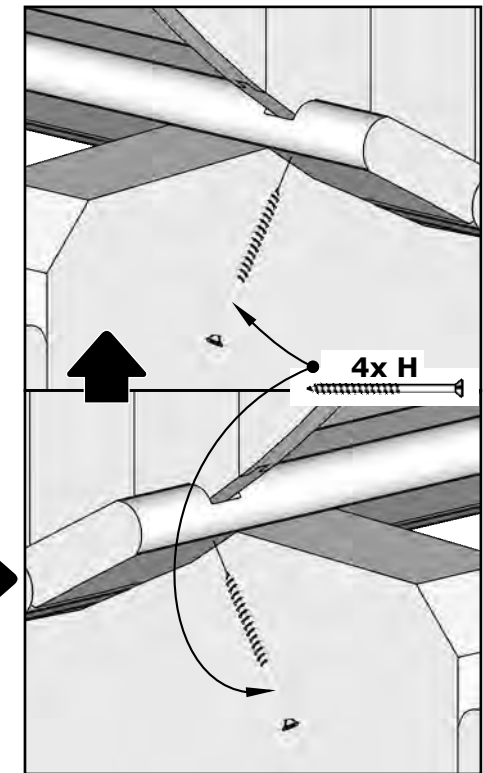


**I**

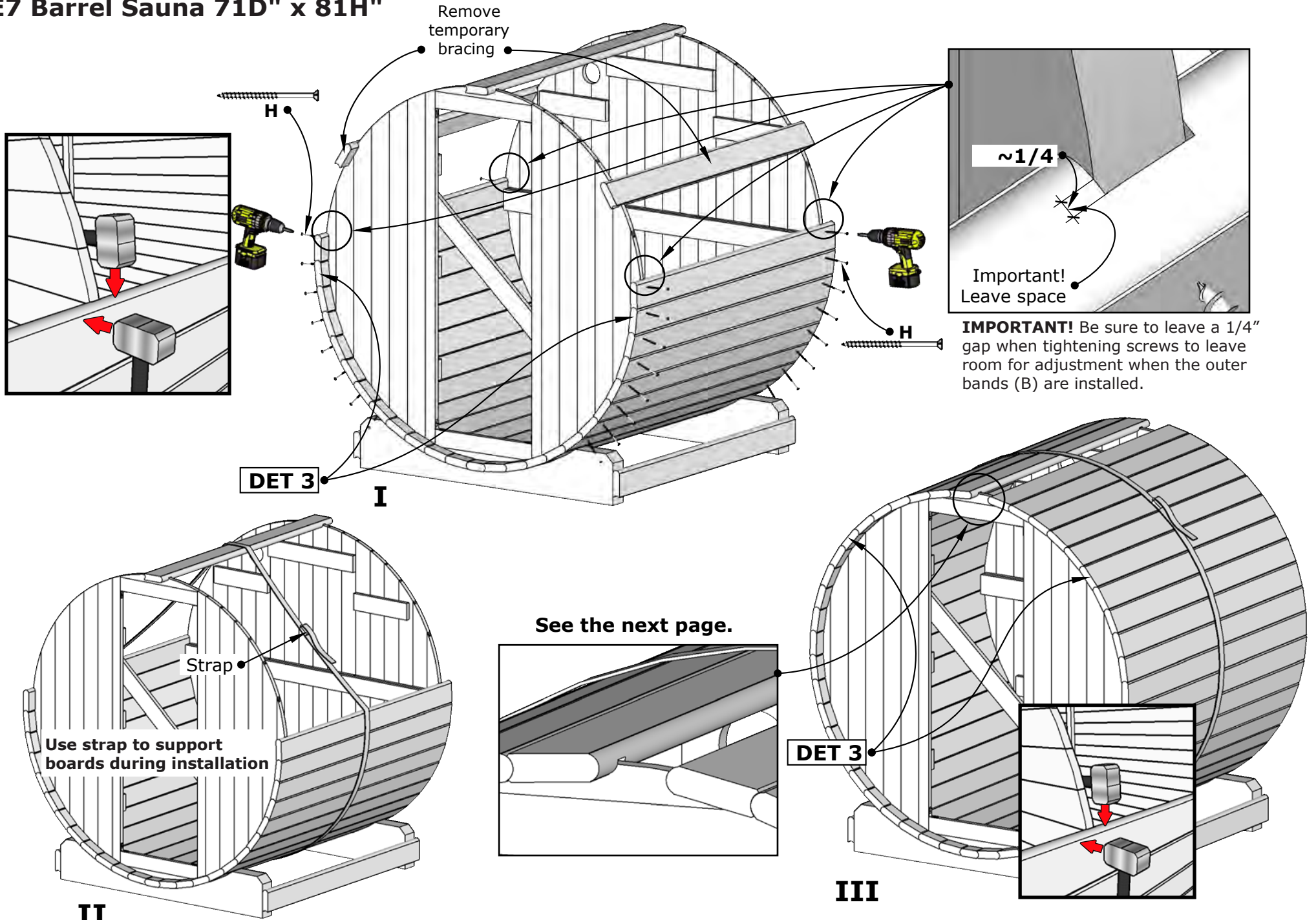


**II**

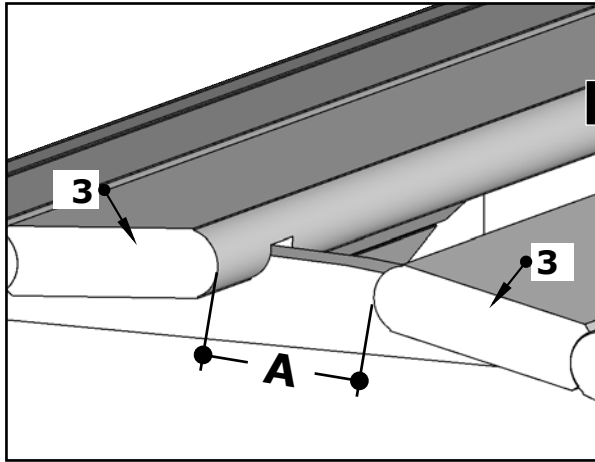
**IMPORTANT!** Be sure to leave a  $1/4"$  gap when tightening screws to leave room for adjustment when the outer bands (B) are installed.



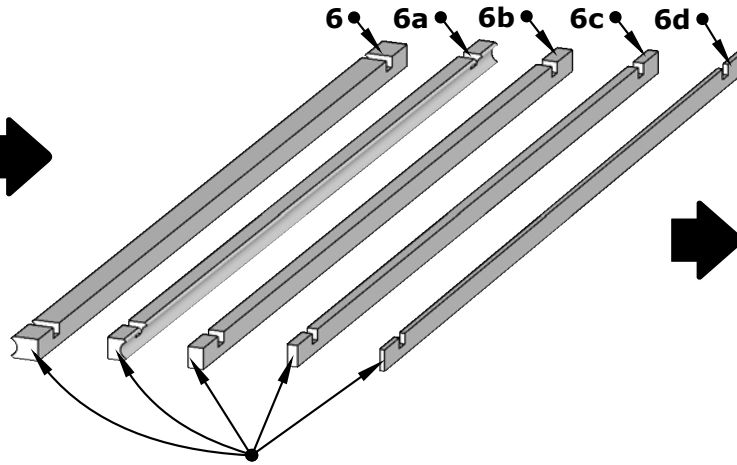
# E7 Barrel Sauna 71D" x 81H"



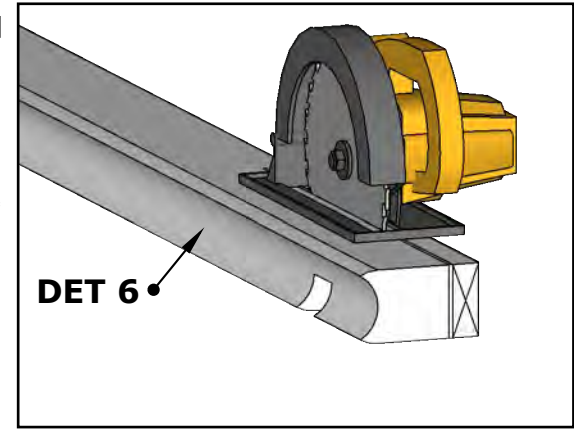
# E7 Barrel Sauna 71D" x 81H"



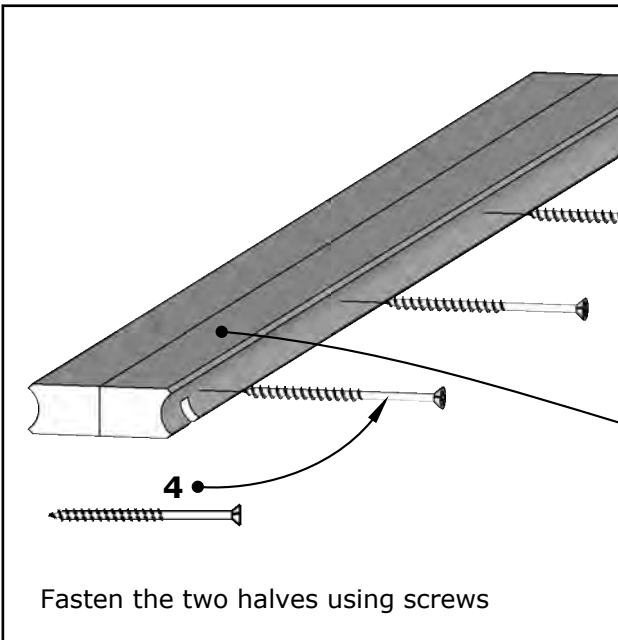
**I**



Join two boards together (as shown in diagram II) that will bridge the width of the "A" gap. It is recommended that the combined boards are approximately 1/4" wider than the gap.

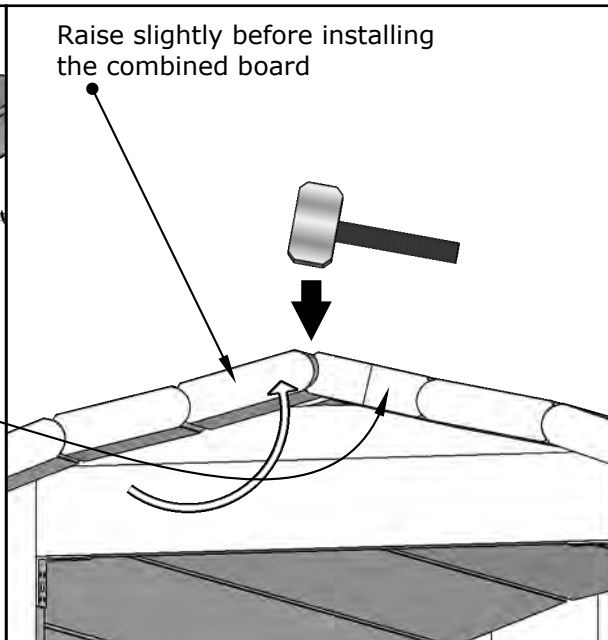


If needed, trim the flat edge of the board to create the desired width.

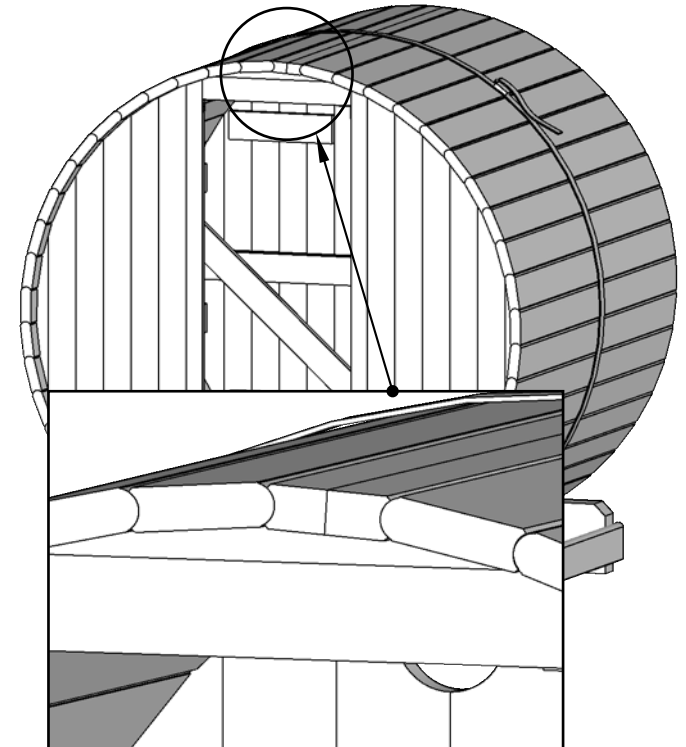


Fasten the two halves using screws

**II**

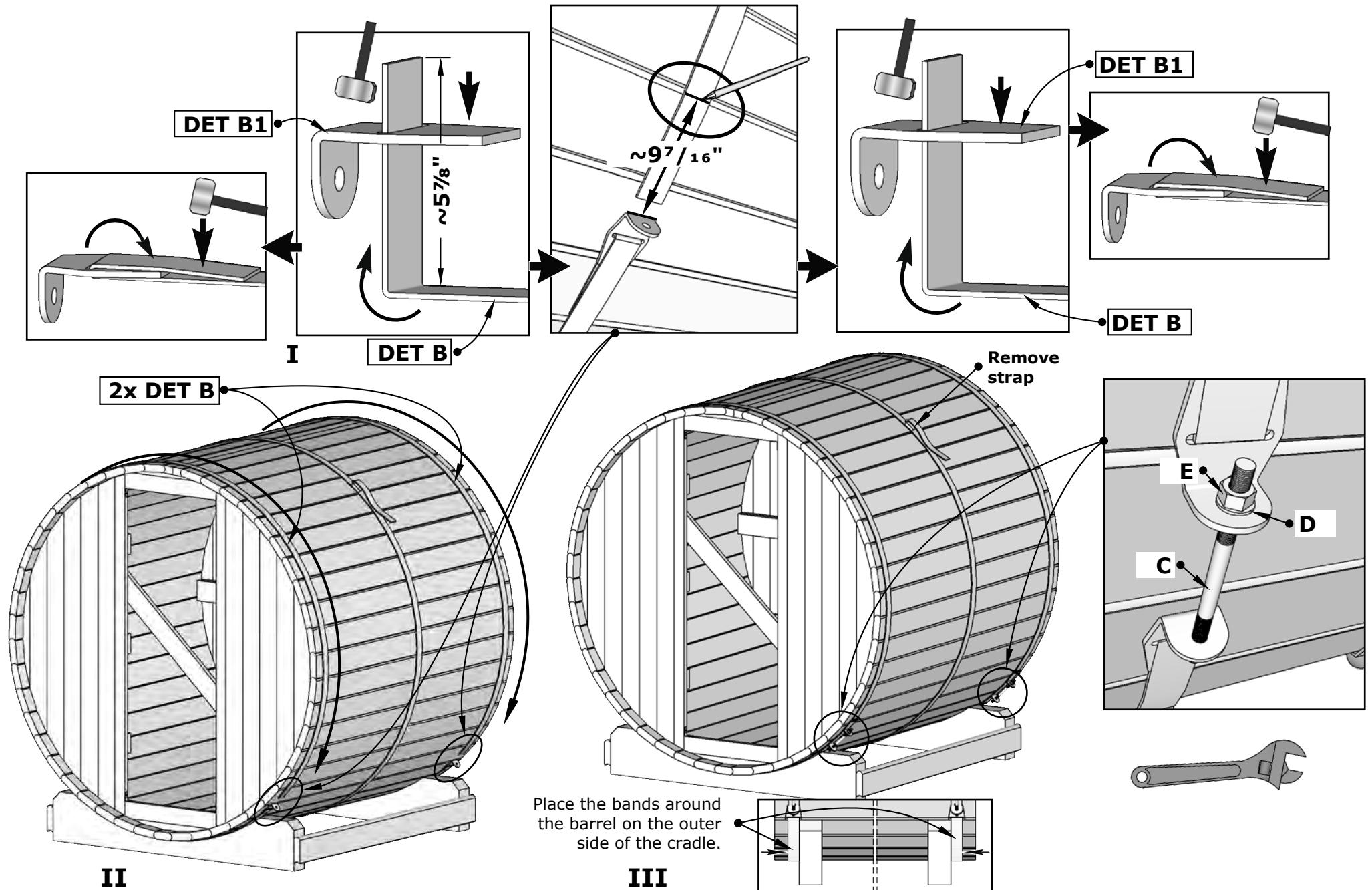


Raise slightly before installing the combined board



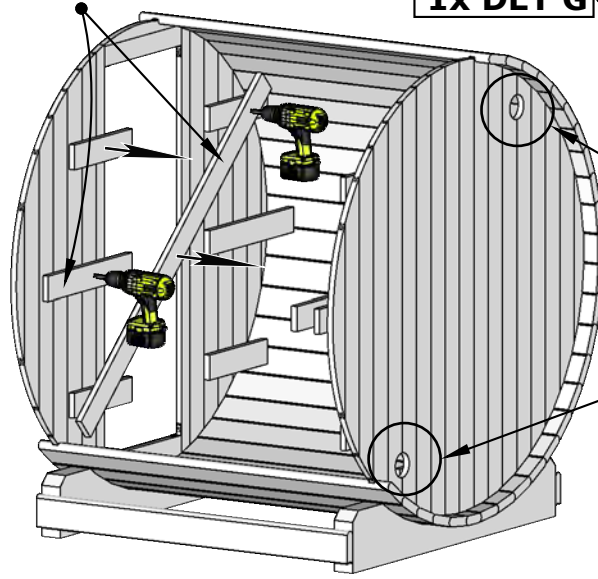
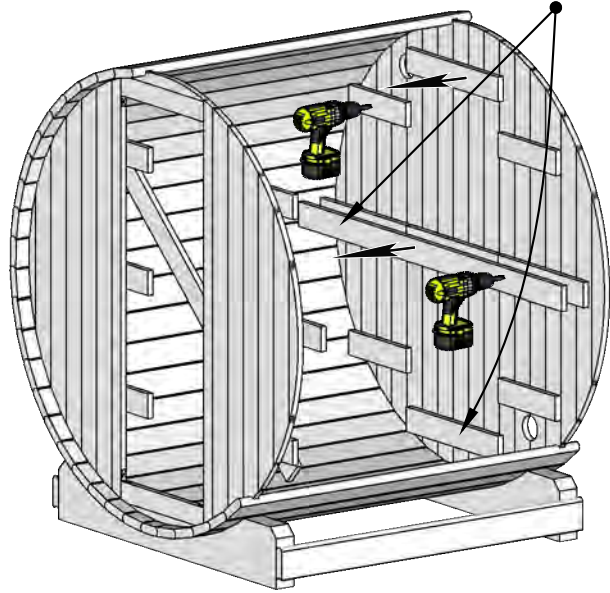
**III**

# E7 Barrel Sauna 71D" x 81H"

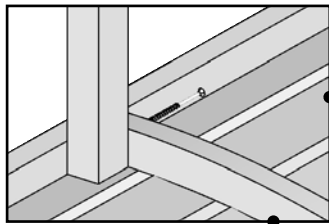
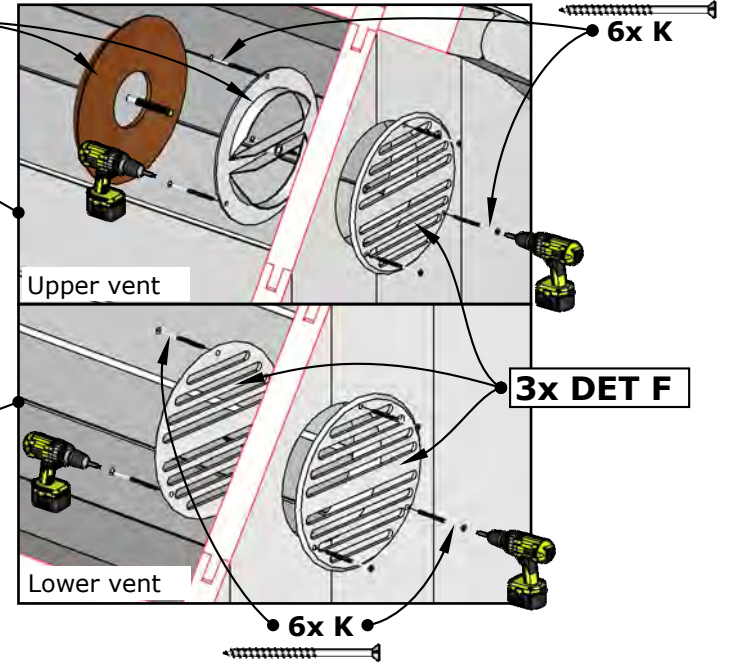


# E7 Barrel Sauna 71D" x 81H"

Remove all temporary braces



1x DET G



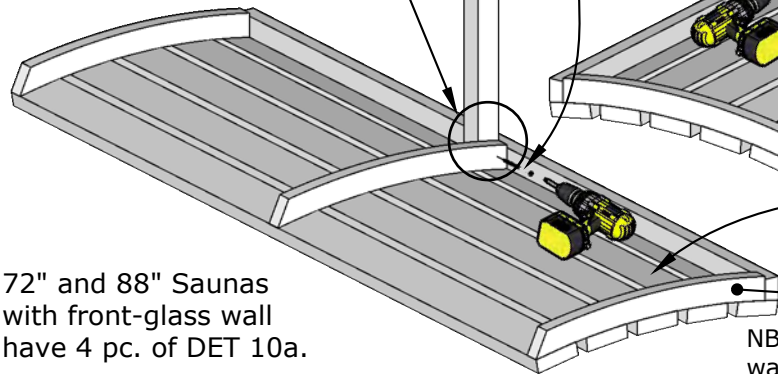
Pre-drill holes  $\varnothing 5/32"$  before screws.

I

2x DET 10a

2x H

2x DET 10

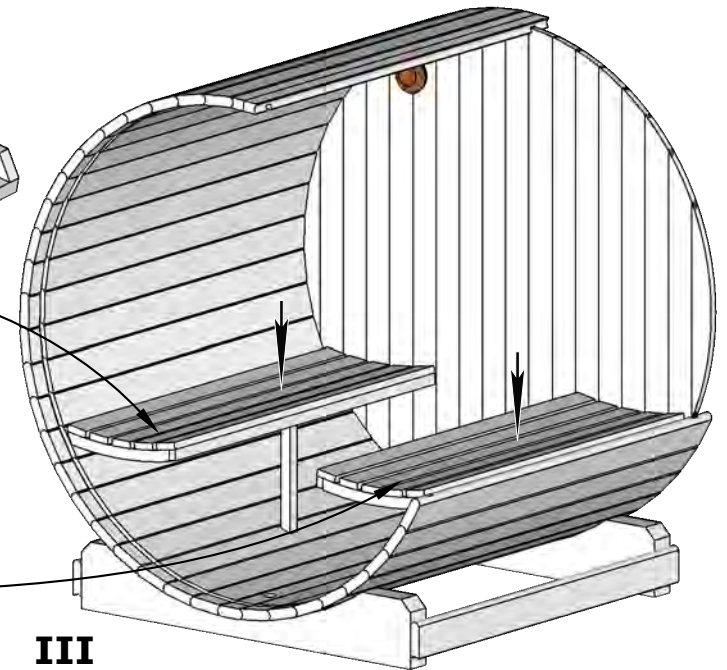


72" and 88" Saunas with front-glass wall have 4 pc. of DET 10a.

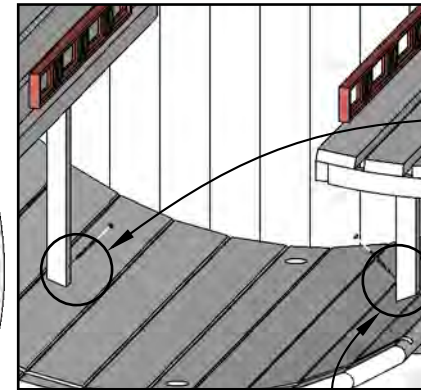
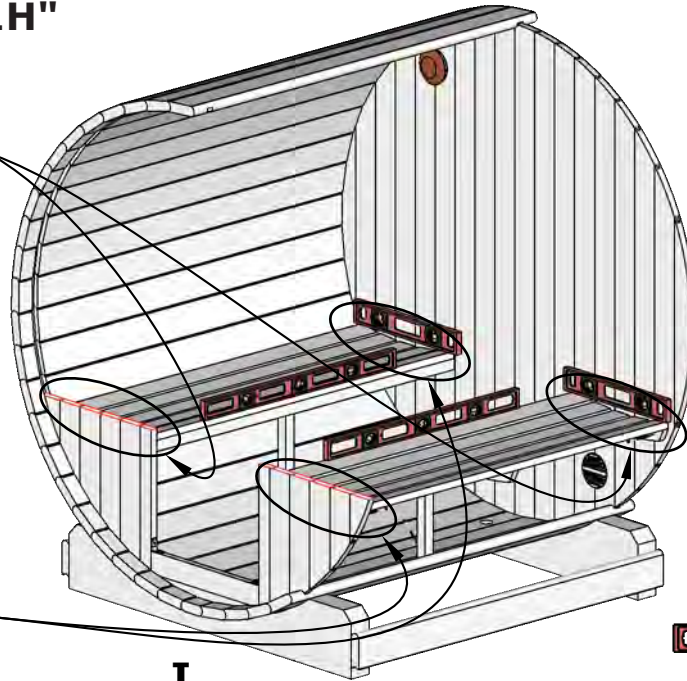
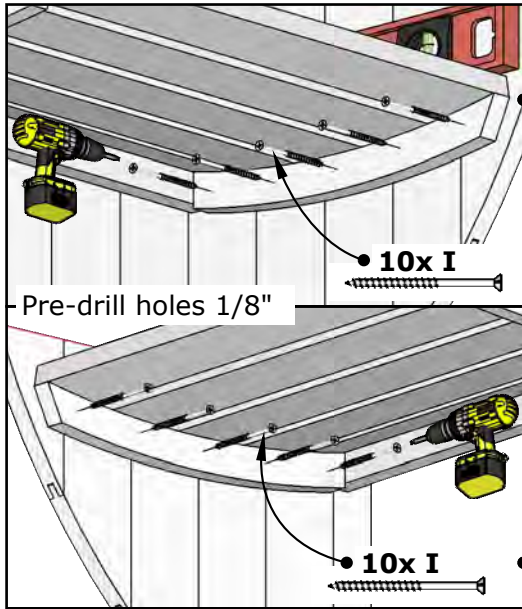
II

NB! If Your sauna equipped with front-glass wall, see front-glass wall installation manual for proper benches installation.

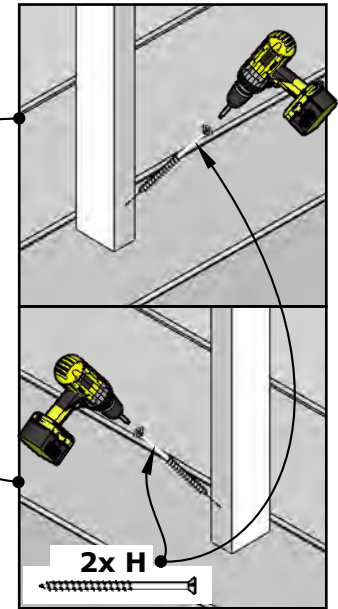
III



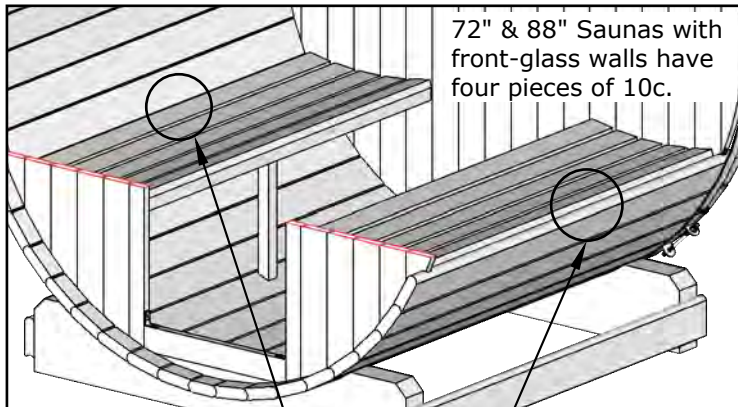
# E7 Barrel Sauna 71D" x 81H"



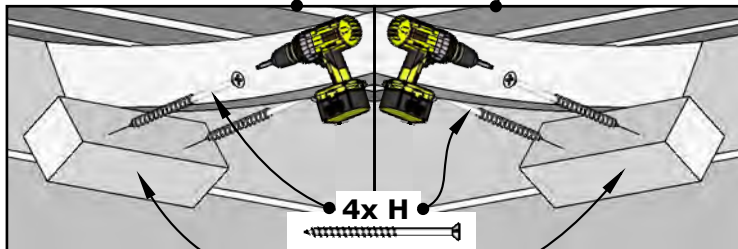
Use level for installation of benches



**I**

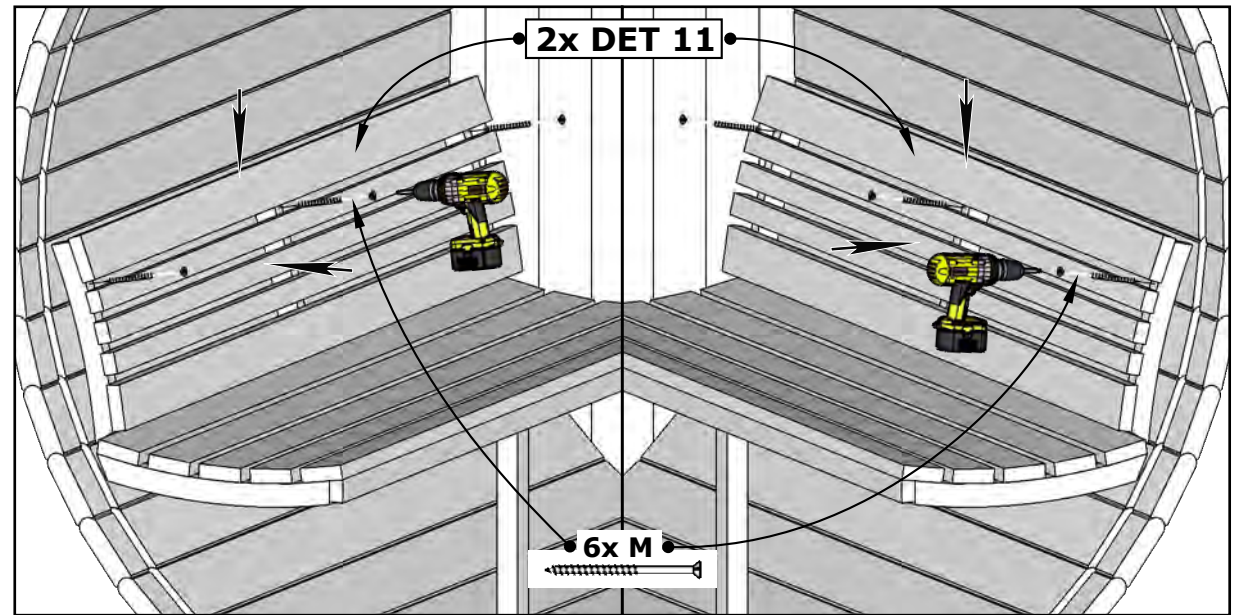


Under the benches



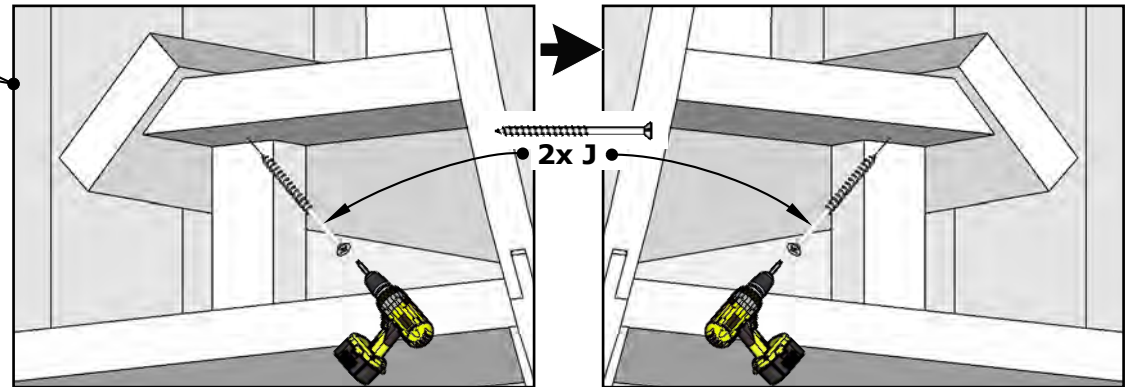
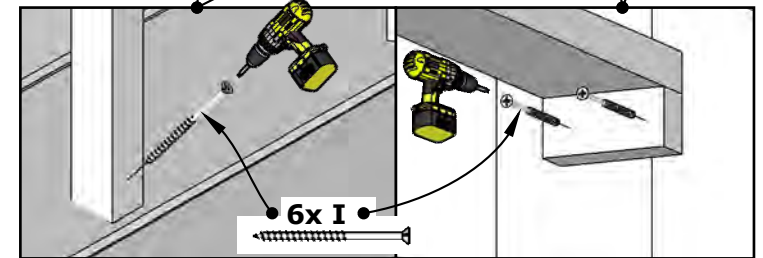
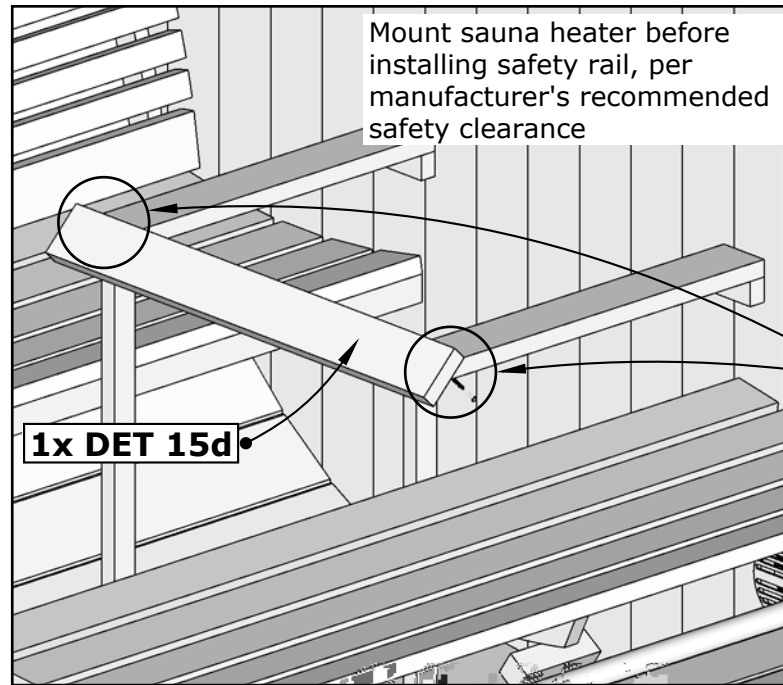
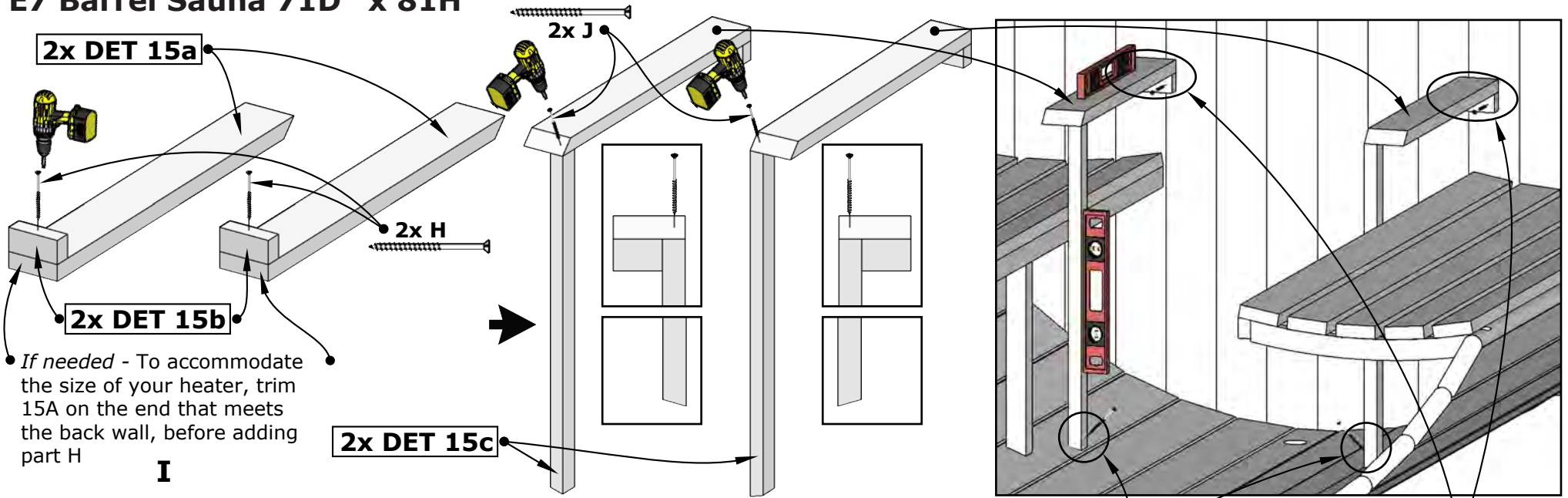
**II**

**2x DET 10c**



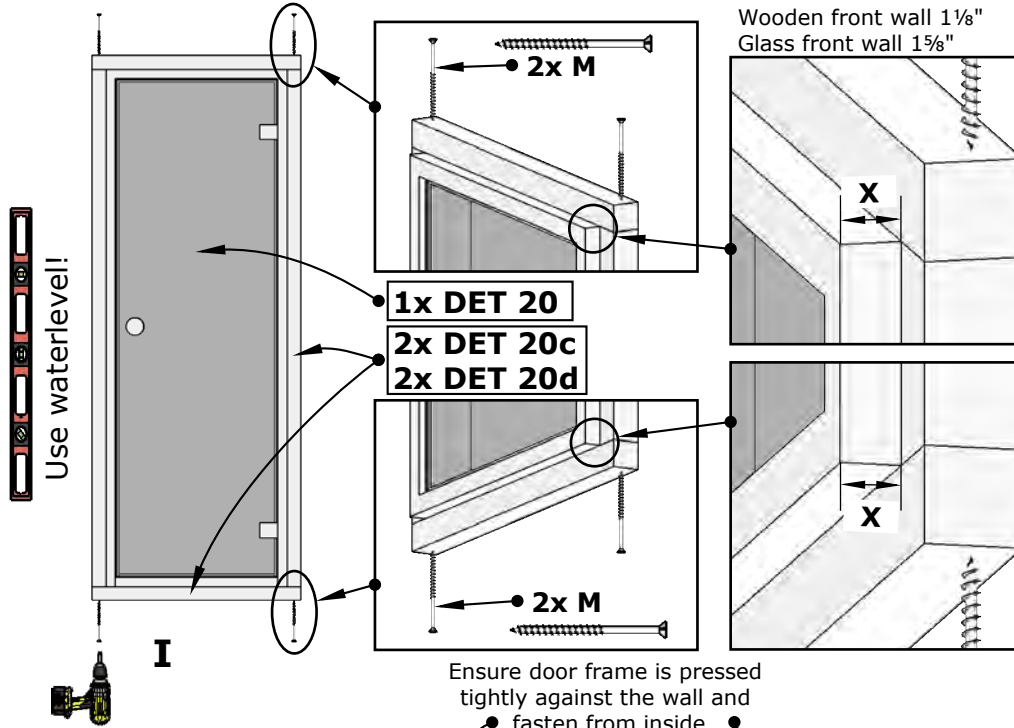
**III**

# E7 Barrel Sauna 71D" x 81H"

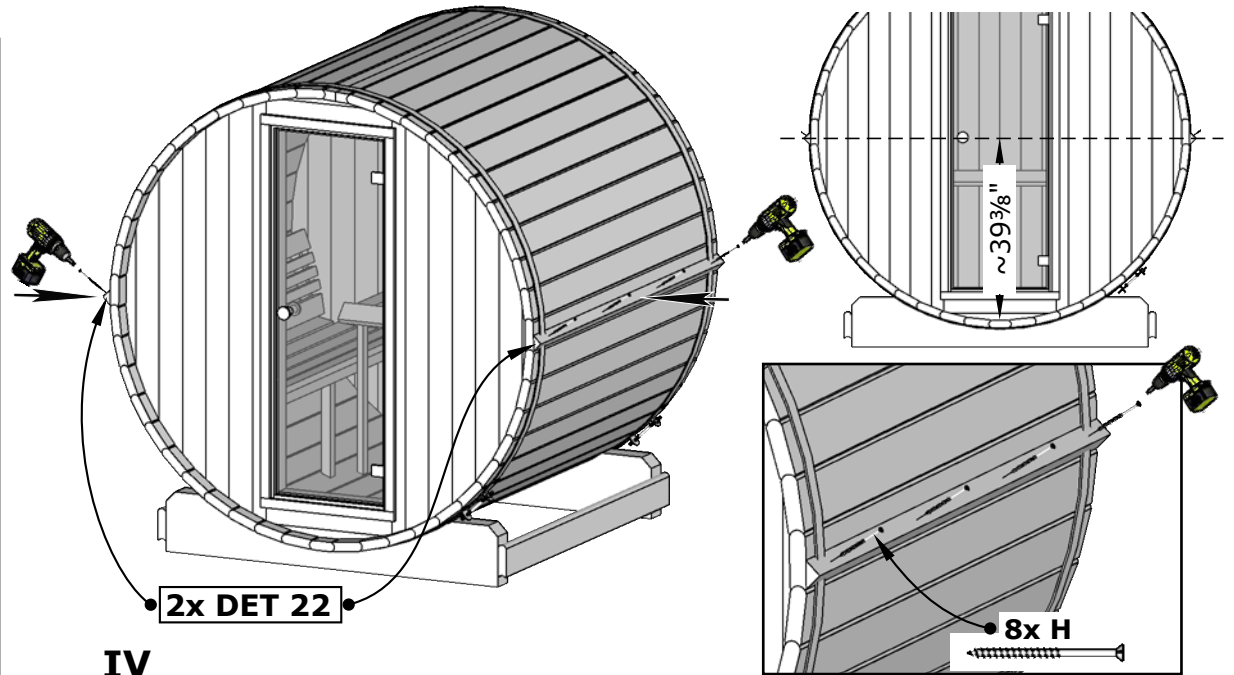
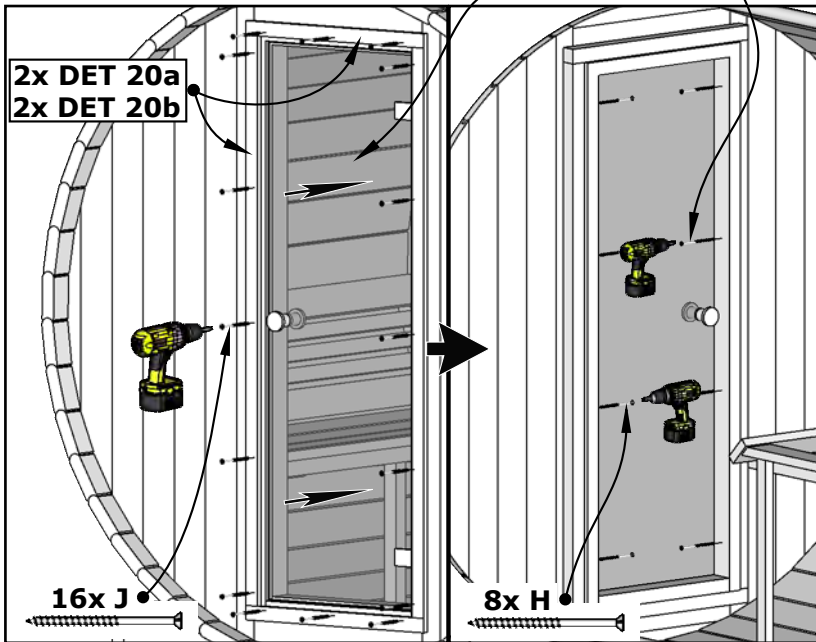
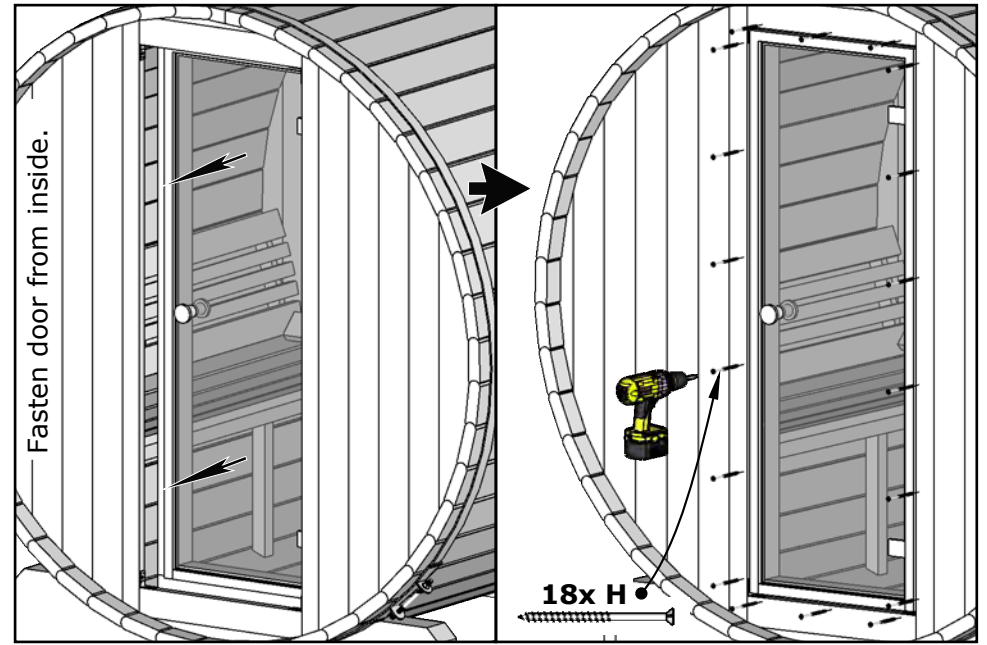




# E7 Barrel Sauna 71D" x 81H"

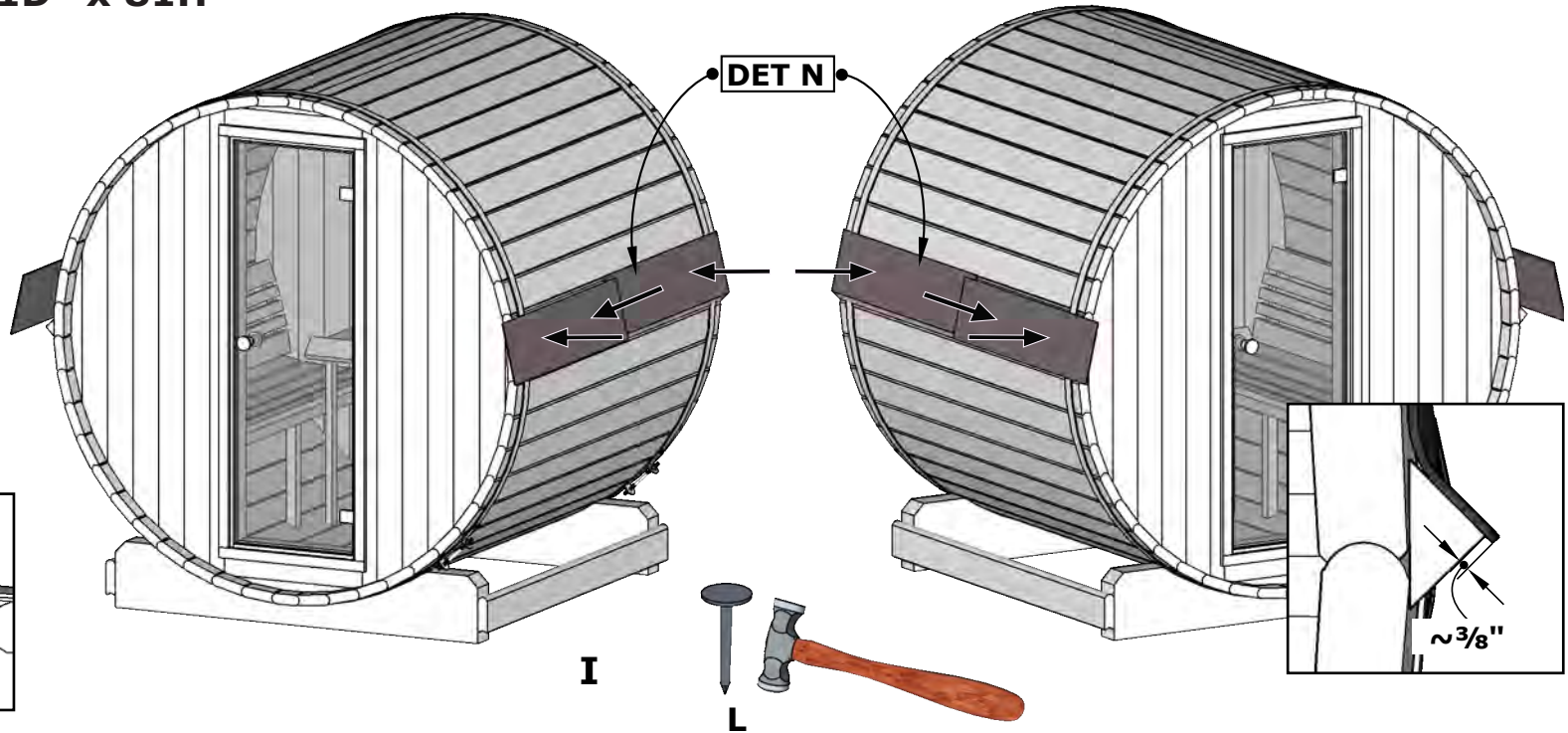
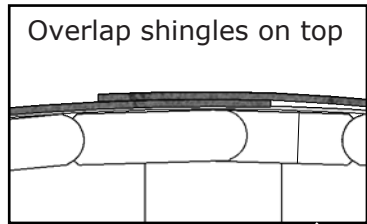


Ensure door frame is pressed tightly against the wall and fasten from inside

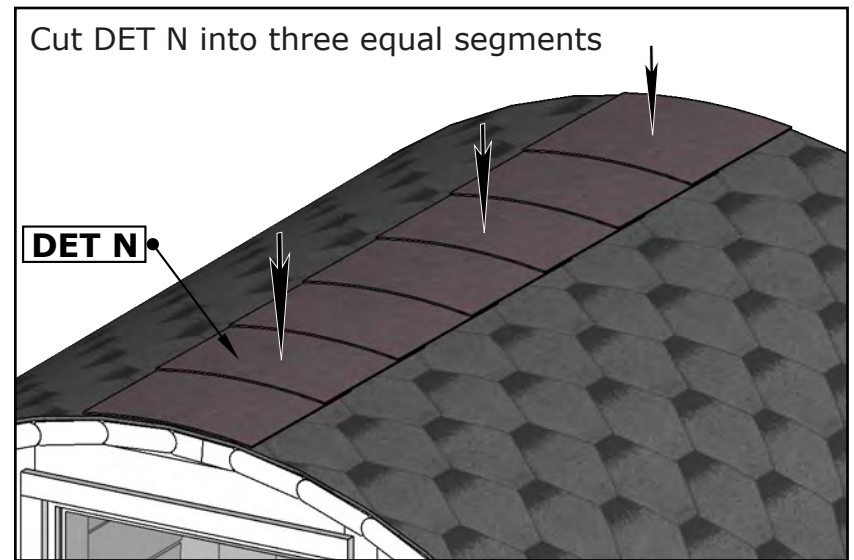
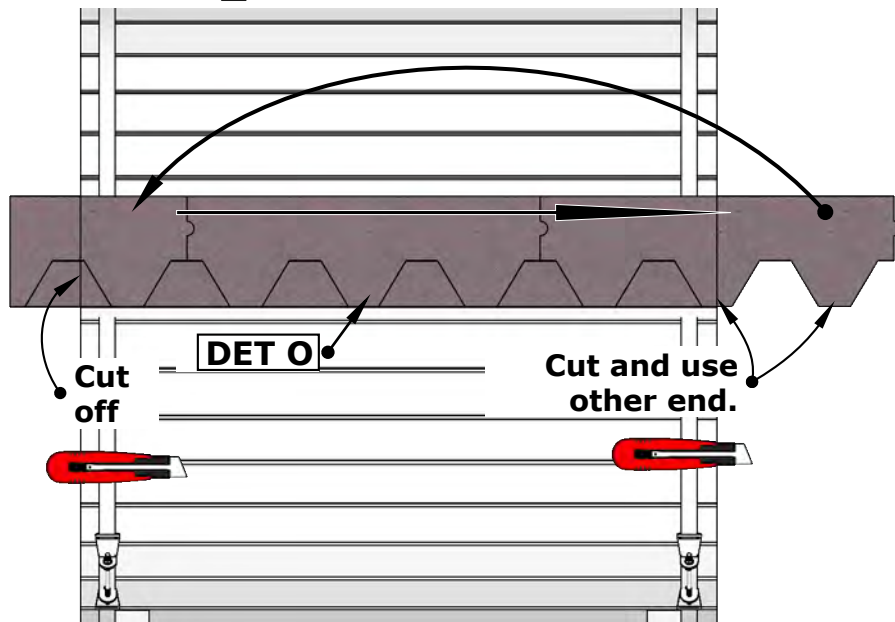


# E7 Barrel Sauna 71D" x 81H"

See the installation manual inside the shingles package



Check also roof shingles installation manual inside package.



# E7 Barrel Sauna 71D" x 81H"

