

BATHOLOGY

rediscover bathing



PreciseTemp 320

Digital Steam / Sauna
Room Thermometer

Installation and Operating Instructions

The PreciseTemp 320 Digital Steam/Sauna Room Thermometer is designed to simplify steam and sauna room operation and provide bathers with the information they need to make informed decisions regarding the environment they are electing to bathe in. Mounted near the environment entry, the PreciseTemp 320 will provide precise and reliable temperature readings to reduce operating complaints and facilitate steam and sauna room/equipment troubleshooting.

Specifications

Material: Stainless steel body with clear plastic face

Depth: 1"

Diameter: 3-1/2"

Battery: G-13A, 1.5V, Button Cell

Sensor Cable: 8' or 20' Tethered (non-spliceable)

Sensor Guard: 5-1/8"W x 1-1/4"D x 2-3/8"L

Package Includes

- (1) Digital Thermometer with tethered sensor
- (1) Sensor guard, stainless steel
- (3) Wall anchors, flangeless (Digital thermometer)
- (3) 3/4" Flangeless screws (Digital thermometer)
- (3) Wall anchors, flange ((1) Sensor mount, (2) Sensor guard)
- (3) 1" Flange screws ((1) Sensor mount, (2) Sensor guard)
- (1) Sensor screw mount
- (1) Sensor tie
- (1) RTV silicon sealant, 1 oz tube
- (1) Mounting template
- Installation and operation manual

Tools Required:

- Drill
- 3/16" drill bit
- 3/8" drill bit
- Hammer
- 7/64 Hex drive wrench
- Safety goggles
- Level
- Tape

Dimensions

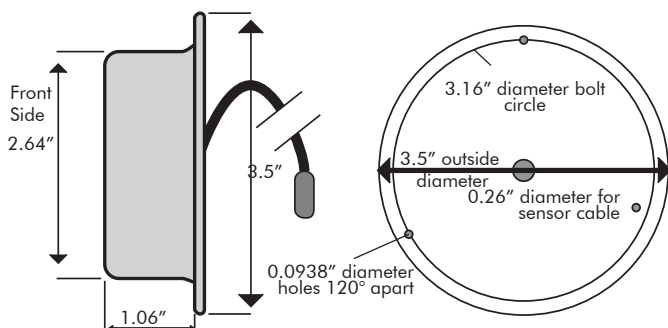


Figure 1
Profile

Figure 2
Rear Flange

CAUTION For safety purposes, use safety goggles at all times.

WARNING Check for piping/electrical before drilling.

Thermometer Installation

Read instructions in their entirety before starting installation.

1. Select a thermometer mounting location, outside the bathing environment, adjacent to the entry and at a height for comfortable bather view. Drill a 3/8" diameter hole for sensor run.
2. Select a thermometer sensor mounting location inside the bathing environment 4" down from finished ceiling. Drill a 3/8" diameter hole for sensor.
3. Route sensor into bathing environment location and mount thermometer with provided anchors and hardware (flangeless). Use a 3/16" drill bit should the anchors be utilized.

Sensor and Sensor Guard Installation

1. Once the finished wall materials are installed, place supplied template (page 4) in location of mounting. Center of template should be oriented 1-1/2" to the right of sensor wire exit.
2. Level template against level line.
3. Affix template to wall with tape.
4. Recheck for level and drill (3/16" drill bit) at designated "+" locations on template.
5. Apply silicon dab over corner and center sensor mount anchor holes.
6. Tap wall anchors (flange) into holes with hammer.

Sensor and Sensor Guard Installation (cont.)

7. Apply silicone into and around entire top of sensor guard anchors (flange) before inserting screws (flange), creating a seal between anchor and wall.
8. Attach screws (flange) into the corner wall anchors (flange) leaving 1/8" gap from screw head to wall.
9. Fasten sensor screw mount to the center wall anchor.
10. Feed sensor tie through sensor screw mount and secure sensor in place.
11. Apply silicone around wire exit area to create a water-tight seal.
12. Line up holes on rear of sensor guard with screws.
13. Slide sensor guard slightly to the left until screw heads are visible.
14. Tighten screws.
15. Allow silicone to cure for 24 hours before exposing product to any source of moisture.

Thermometer Calibration

There is a trimpot located on the back of the PreciseTemp 320 for easy recalibration. Remove tape covering the trimpot and F/C switch. Compare the display with a temperature standard (NIST, certified mercury thermometer, etc.). Adjust the trimpot so that the meter's digital display matches the temperature standard (see Figure 3). Replace the tape after calibration.

Fahrenheit/Centigrade Operation

There is a switch located on the back of the PreciseTemp 320 for easy fahrenheit to centigrade conversion. Remove tape covering the switch and simply flip the switch to the desired scale of operation (see Figure 3). Replace tape after using the F/C switch.

Battery Replacement

Remove back cover screws (4) to expose internal PCB assembly. Remove battery and replace with G-13A, 1.5V button cell battery. Replace back cover.

Note: When replacing back cover, be sure that the snaps line up with the holes in the case and that the wire is positioned correctly in its "cut out".

Product Care

For routine cleaning simply use a soft damp cloth and common household soap. Use a damp cloth to wipe clean, then dry. Clean product frequently to avoid calcium deposits on surfaces. Use only mild soap based detergents. **Never use abrasive cleaners, bleach, disinfectants or cleaning products containing alcohol, ammonia, hydrochloric or phosphoric acids** as they will damage the product's finish.

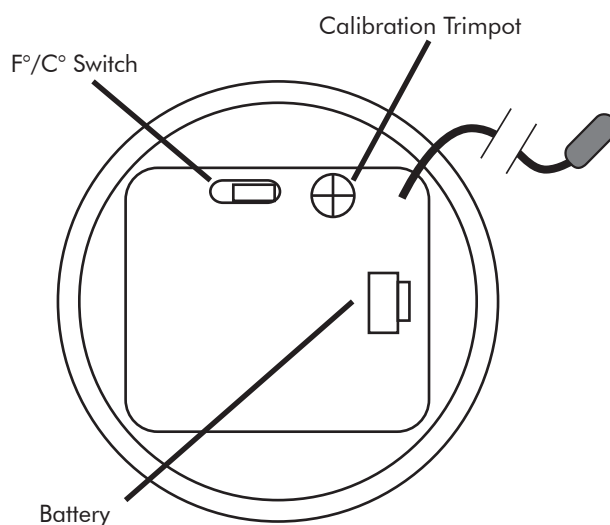


Figure 3

BATHOLOGY

rediscover bathing

www.Bathology.com 847-465-1070

A division of Bathing Brands, Inc.

Sensor Guard Mount Template

