

AM200/201 Installation instruction

Safety Information

1. Please read carefully and follow all instructions when operating.
2. Qualified earth leakage circuit-breaker must be installed and tested with trial jump to certify the device is qualified and safety before using the product.
3. To avoid electric shock. Replacing wire must be done by the electrical engineer or distributor. Customer could not replace by yourself.
4. Ground wire of massage water pump and air pump must be connected to ground well, the minimum size copper wire of ground wire must not be less than 1.5mm².
5. It is forbid to remodel, add or take part products.
6. Please don't use this product after alcohol or drugs.
7. The children shall be closely supervised by parents to use product.
8. All the electrical spare parts except the remote control must be put suitable and stable to avoid slip into the tub.
9. Warning: the mixed water temperature shall never exceed 60 degree centigrade.
10. Don't use sulphuric acid, hydrochloric acid, lye and other mixed strong corrosive chemical liquid to clean product.
11. The water pump would be very hot when running. Please don't touch the surface of the machine to avoid scald.
12. The water level must be higher than the jet before turning on the product.
13. Please don't drop anything in or insert in water pump and the opening hole of machine.
14. Warning: Avoid electrical shock, the GFCI/RCD (Earth Leakage Circuit Breaker) must be installed to ground socket for protection.
15. Warning: Avoid electrical shock, not allow to useing extended power wire. The socket position should be suitable.

Maintenance instruction

1. Clean the acrylic surface :

Clean acrylic surface with cotton flannel or sponge and water in daily life. If there is scratch on the surface, please use No. 1500 water abrasive cloth polishing slightly to clear away scratches, and then polish with toothpaste, cotton flannel. Please don't use strong caustic chemical liquid, such as sulphuric acid, hydrochloric acid, lye during maintenance.

2. Plated item maintenance:

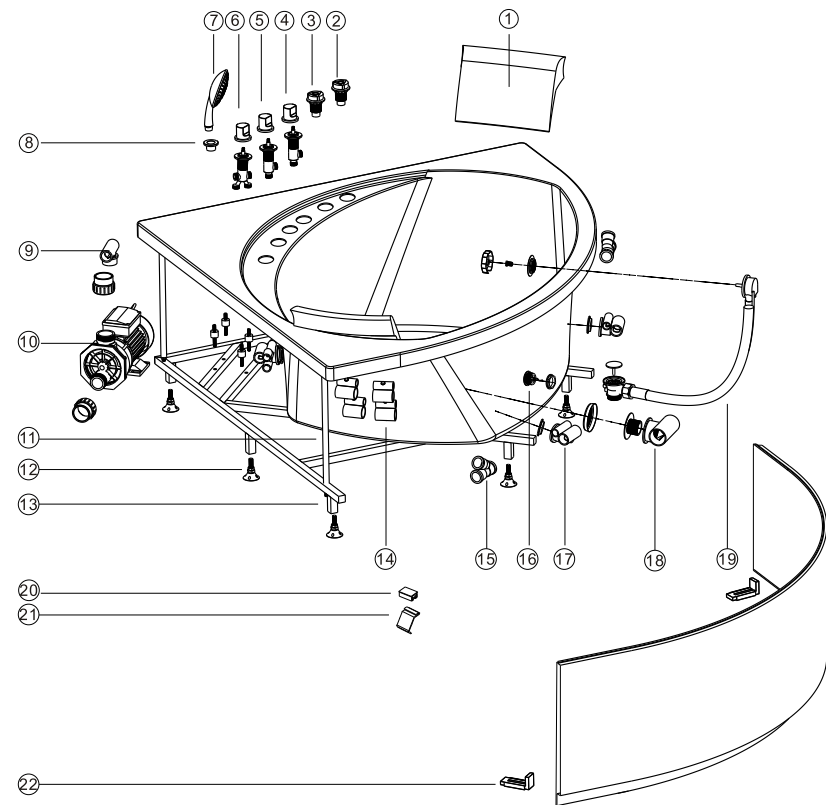
Clean the surface of plated item with cotton flannel, please don't use coarse cloth.

3. Suction net cleaning:

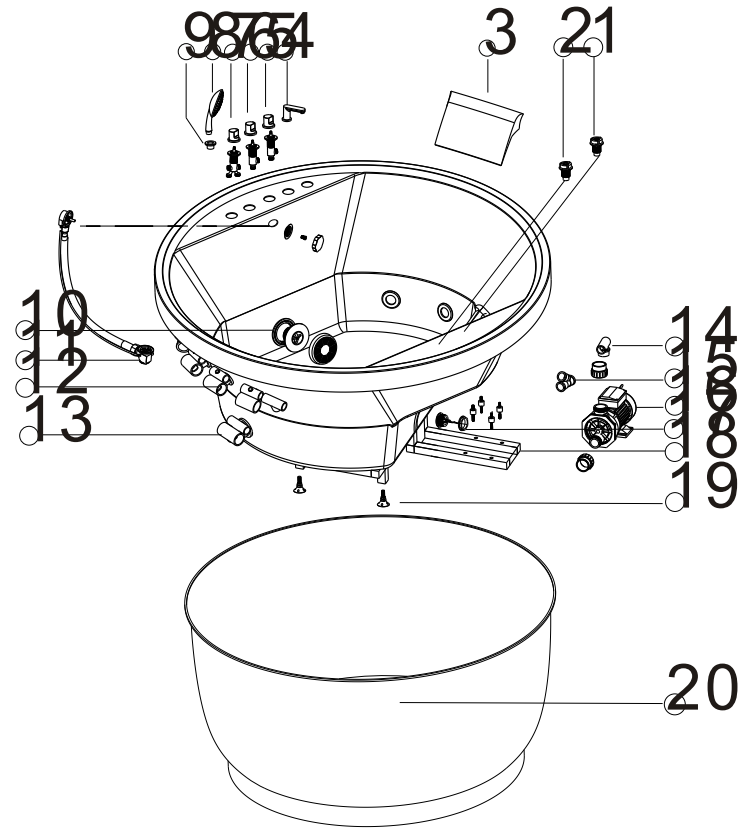
Turn the screw out and take the suction net out to clear dirt, to keep the water going through smoothly. Don't use strong causticity chemical liquid to clean the product, such as sulphuric, hydrochloric acid, lye and so on.








CONTENTS

01-02	AM200 Components instructions
03-04	AM201 Components instructions
05	AM200 Water and electricity installation diagram
06	AM201 Water and electricity installation diagram
07	Faucet connection
08	Installation steps
09	Faucet switch skeleton picture and instruction
10	Drainage pipes and power line installation steps
10	Test with water steps
11	Maintenance service card
12	Massage bathtub important notice
13	Common trouble shooting
14	Maintenance record

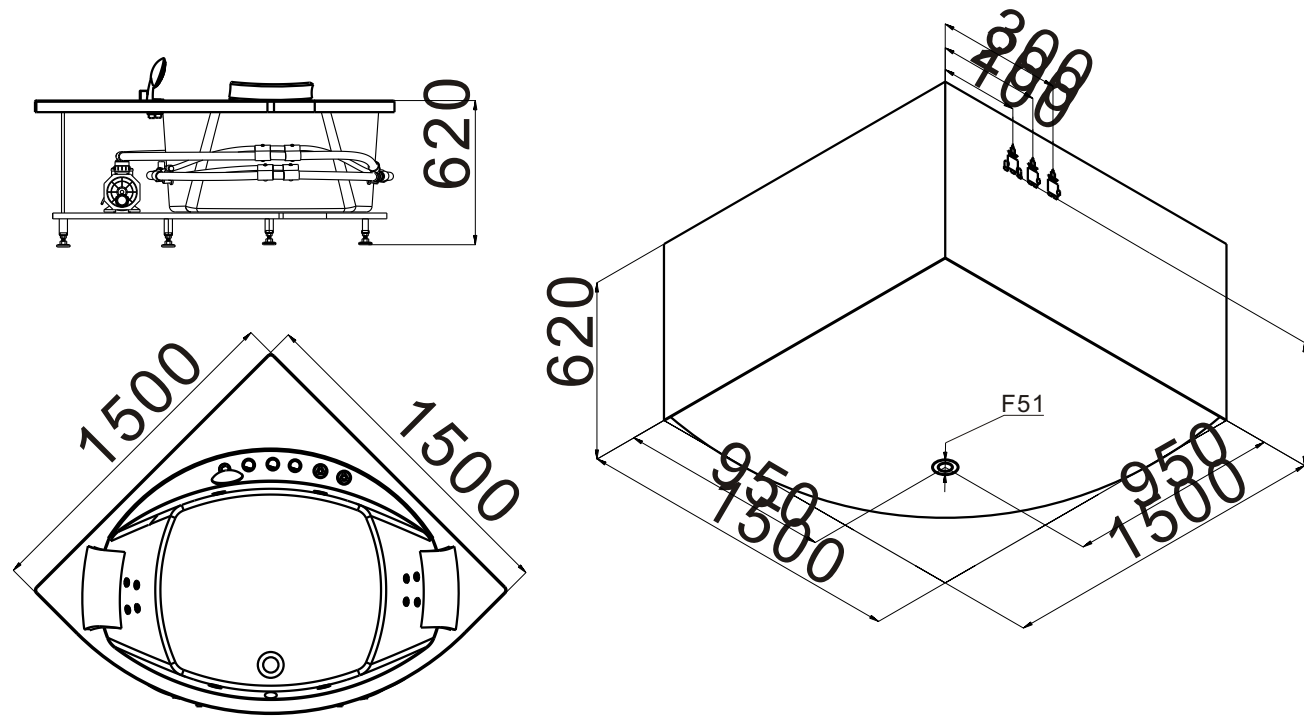


1. PU pillow	2. Air-regulating valve	3. Pneumatic switch	4. Cold water regulating valve	5. Hot water regulating valve	6. Switch valve
					
7. 18151 Shower head	8. Waterproof shower head socket	9. A70 Extended plastic	10. WTC120AB Water pump	11. Supporter frame	12. Adjustment leg
					
13. Stainless steel frame	14. New back nozzle	15. Three-way valve	16. Plastic light	17. New side nozzle	18. Plastic suction
					
19. 3628A-2 Plastic drainer	20. Plastic spring	21. Plastic spring socket	22. White skirt panel screw cover		
					

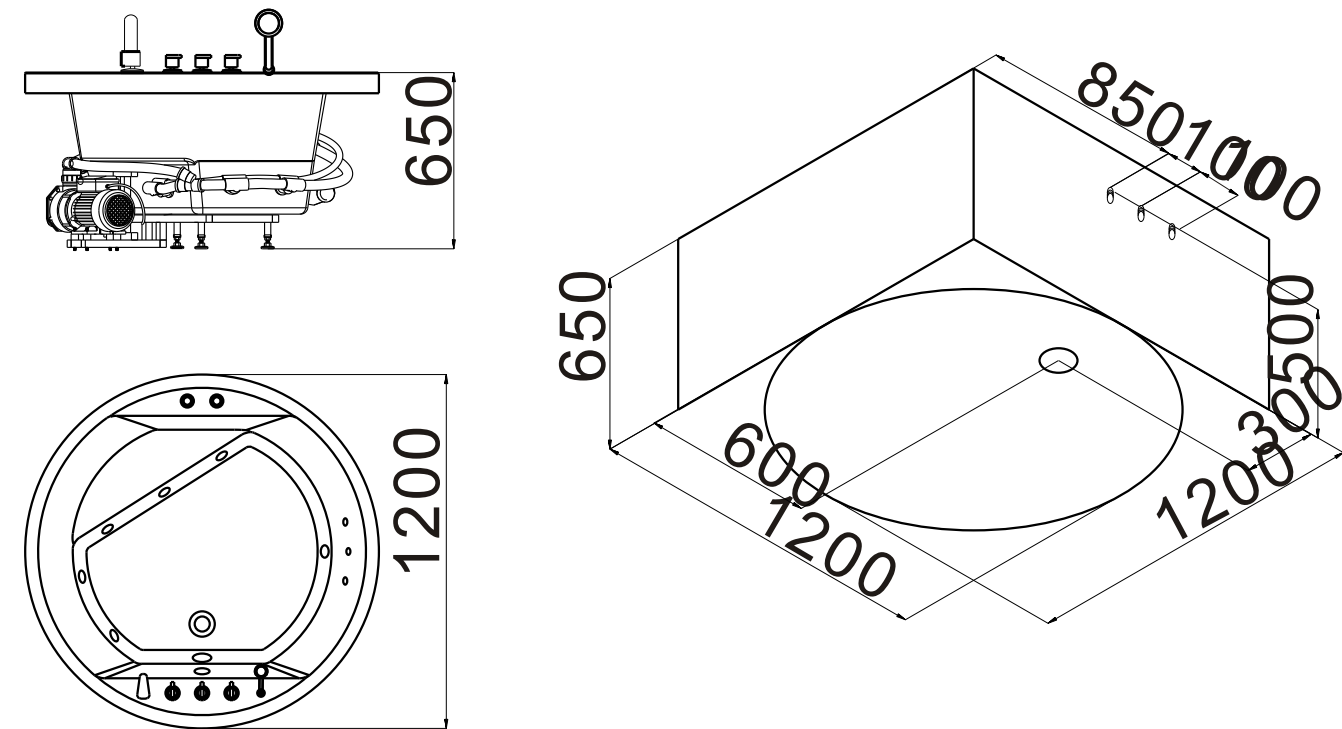


1. Air-regulating valve	2. Pneumatic switch	3. PU pillow	4. Faucet	5. Cold water regulating valve	6. Hot water regulating valve
					
7. Switch valve	8. Shower head	9. Waterproof shower head socket	10. Plastic suction foot	11. B28A-2 Plastic drain	12. New back nozzle
					
13. Stainless steel frame	14. A07 Extended base	15. Plastic three-way valve	16. WTC120AB Water pump	17. Plastic light	18. Stainless steel supporter frame
					
19. Adjustment leg	20. Skirt panel				
					

AM200 Water and electricity installation diagram

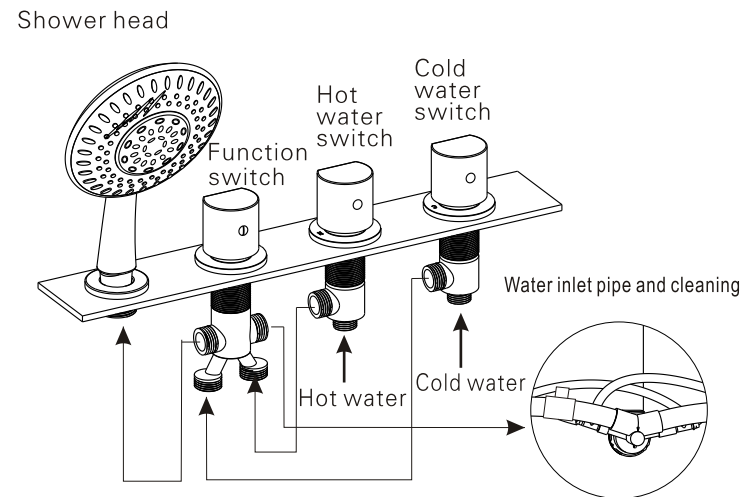


AM201 Water and electricity installation diagram



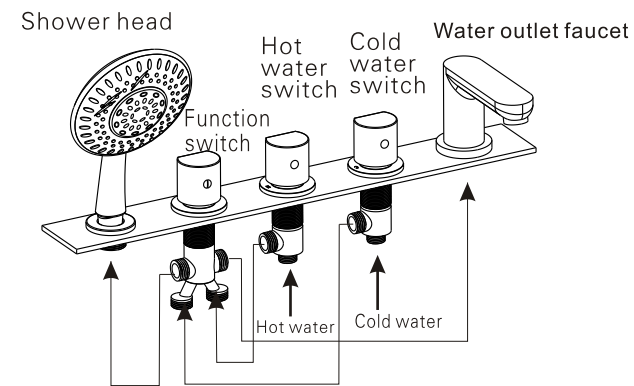
Faucet connection

Standard configuration



Am200 Faucet and water pipes connection picture

Standard configuration



Am201 Faucet and water pipes connection picture

Installation Steps

The product adopts standard accessories, please follow product specifications to install product:

1. Confirm product installation place→2. adjust product to level→3. connect water inlet and drainage pipes→4. connect power→5. check and clean→6. reset→7. test with water.

1. Confirm product installation place

Please refer product specifications to arrange sewage pipes, power socket and water inlet pipe, then check if there is enough space to connect every part.

2. Adjust product to level

Adjust movable ground leg of product till level.

3. Connect water inlet and drainage pipes

Drainage pipe is in the bottom of tub, the diameter of water drainage outlet is 38mm, and pipe could be bended and stretched; inserting drainage pipe elbow of tub into customer's drainage system pipe with adhesive tape or glass cement during connection. In case of influencing draining water, pipe could not be folded or squashed.

4. The Power Connection

The product is adequate for all purchasing requirement power, please follow technical parameter to install power socket and prevent from water, put plug into power socket. (Note: yellow & green wire of water pump are ground wires, diameter of ground wire is 8mm)

5. Check and clean

After above steps, please check that if the each joint is sealed well, and then clean up sundries of tub. Open drainer to clean tub with water. To prevent sundries or floating objects stuck in water pump from pipes and nozzle jamming; please clean sundries out from tub.

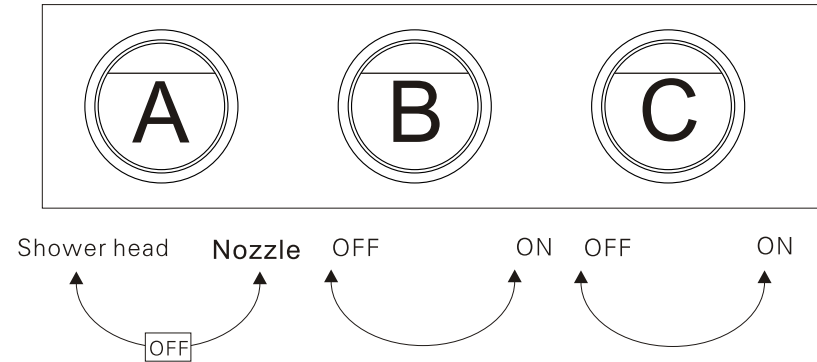
6. Reset

Move product to installation place.

7. Test with water

Please confirm the tub is cleaned up, and then close drainer to store water. Check if there is leakage during water test. Till water is higher than water level probe, follow functions instruction of control panel to operate product.

Faucet switch diagram



Instruction

3-pcs faucets adjustment: Installation style: left is cold and right is hot.

A. The valve is used for adjust water outlet style. Turn left 90° is shower head function, turn right 90° is waterfall function.

B. Red symbol in water inlet pipe is for hot water, H symbols are under faucet handle between left and right, turn anticlockwise to adjust water temperature, turn right to add cold water and water become cold, turn clockwise to close. Rotation angles are 90° .

C. Blue symbol in water inlet pipe is for cold water, C symbols are under faucet handle between left and right, turn anticlockwise to adjust water temperature, turn right to add hot water and water become hot, turn clockwise to close. Rotation angles are 90° .

D. The product is used for waterfall inlet and adjust shower head inlet. Shower head inlet is generally for wash body and head and other positions.

Installation Steps

Drainage pipe is in the bottom of tub, the diameter of water drainage outlet is 38mm, and pipe could be bended and stretched; inserting drainage pipe elbow of tub into customer's drainage system pipe with adhesive tape or glass cement during connection. In case of influencing draining water, pipe could not be folded or squashed.

4. The Power Connection

The product is adequate for all purchasing requirement power, please follow technical parameter to install power socket and prevent from water, put plug into power socket. (Note: yellow & green wire of water pump are ground wires, diameter of ground wire is 8mm)

5. Check and clean

After above steps, please check that if the each joint is sealed well, and then clean up sundries of tub. Open drainer to clean tub with water. To prevent sundries or floating objects stuck in water pump from pipes and nozzle jamming; please clean sundries out from tub.

6. Reset

Move product to installation place.

7. Test with water

Please confirm the tub is cleaned up, and then close drainer to store water. Check if there is leakage during water test. Till water is higher than water level probe, follow functions instruction of control panel to operate product.

Test with water steps

The product uses standard accessories, please refer to product tech parameter and follow the installation steps: Confirm the installation place of product→connect drainer→connect pipes→check and clean→test with water.

1. Confirm the installation place of product. Please refer tech parameter to arrange sewage pipe, power socket, water inlet pipe, and check if there is enough space for connection.

2. Connect pipes

Drainage pipe is in the bottom of bathtub, the diameter is 38Φ, and the pipe could be bended optionally. Please put angle bend of drainage pipe into customer's drainage pipe of drainage system with adhesive tape or glass cement to seal it.

3. Connect water inlet pipe

Water inlet pipe is chequered tube with high pressure resistance. Please connect cold and hot water joints as direction. For convenient using and maintaining, please install valves in cold and hot water supply pipes.

4. Check and clean

After above steps, please check that if each joint is sealed well, and then clean up sundries of bathtub. Open drainer to clean bathtub.

5. Test with water

Please confirm the bathtub is cleaned up, and then close drainer to store water. Check if there is leakage during water test.

Maintenance service card			
Item number			
Serial number		Purchasing date	
TE Number			
<p>Maintenance Regulations</p> <p>1. From the date of purchasing this series products, the length of warranty is one year. However, the following situation is beyond maintenance range:A. Product is damaged for inappropriate usage, maintenance, keeping by customer.B. For the damage of product is not installed or maintenance by EAGO distributor or appointed installation organization of services. (Concluding the damage is caused by customer's installation, taking apart, transportation and maintenance.) C. Without three guarantees of quality warranty, effective invoice or proof of purchase. D. Effective evidential documents and maintenance evidential documents can not be altered.E. The damaged is caused by force majeure or natural disaster.</p> <p>2. If the damage is caused by quality of product, repair and parts replacement will be provided for free.</p> <p>3. It is not damaged by the quality of product, or product exceeds protection period, cost expenses of repair and parts should be paid.</p>			

The first page is kept for the customer.

Maintenance service card	
Item number	
Serial number	
Customer name	
TE Number	
Address	
Agent shop	
TE Number	
Purchasing date	

The second page is sent back to eago head office.

Safety Information

- Please read carefully and follow all instructions when operating.
- Qualified earth leakage circuit-breaker must be installed and tested with trial jump to certify the device is qualified and safety before using the product.
- To avoid electric shock, the replacing of the wire must be done by the electrical engineer or the retailer. Customer could not replace just by yourself. The wire for CT,TS series shall be:3*1.5 mm²; The wire for TS-1,CL,CW , CW1 and S series shall be 3*1.0 mm².
- Ground wire of massage water pump and air pump must be connected to ground well, the minimum size copper wire of ground wire must not be less than 1.5mm².
- It is forbid to remodel, add or take part products.
- Please don't use this product after alcohol or drugs.
- The children shall be closely supervised by parents to use product.
- All the electrical spare parts except the remote control must be put suitable and stable to avoid slip into the tub.
- Warning:the mixed water temperature shall never exceed 60 degree centigrade.
- Don't use sulphuric acid, hydrochloric acid, lye and other mixed strong corrosive chemical liquid to clean product.
- The water pump would be very hot when running.Please don't touch the surface of the machine to avoid scald.
- The water level must be higher than the jet before turning on the product.
- Please don't drop anything in or insert in water pump and the opening hole of machine.
- Warning: Avoid electrical shock, the GFCI/RCD (Earth Leakage Circuit Breaker) must be installed to ground socket for protection.
- Warning: Avoid electrical shock, not allow to useing extended power wire.The socket position should be suitable.

Maintenance instruction

- Clean the acrylic surface :**
Clean acrylic surface with cotton flannel or sponge and water in daily life. If there is scratch on the surface, please use No. 1500 water abrasive cloth polishing slightly to clear away scratches, and then polish with toothpaste, cotton flannel. Please don't use strong caustic chemical liquid, such as sulphuric acid, hydrochloric acid, lye during maintenance.
- Plated item maintenance:**
Clean the surface of plated item with cotton flannel, please don't use coarse cloth.
- Suction net cleaning:**
Turn the screw out and take the suction net out to clear dirt, to keep the water going through smoothly. Don't use strong causticity chemical liquid to clean the product, such as sulphuric, hydrochloric acid, lye and so on.

Troubleshooting Instructions

Problem	Cause	Solution	Problem	Cause	Solution
Bathtub shaking anomaly and loud noise	<ol style="list-style-type: none"> The bottom frame of bathtub is imbalance, nut is not screwed down. Fixed screws of motor and shockproof glue are not enough or fall off. Motor idling. Motor failures. 	<ol style="list-style-type: none"> Put the bathtub on a level surface, adjust bottom frame till level, and screw nut tightly. There should be 4 screws and 4 shockproof rubber gaskets to fix motor, tighten the screws. Add water to required level—water level is higher than probe screw. Contact distributor or EAGO company. 	Chromatic lamp off.	<ol style="list-style-type: none"> Plug off. Control circuit panel failure. 	<ol style="list-style-type: none"> Reconnect plug. Contact distributor or EAGO after sale service department.
			Insufficient water flow.	<ol style="list-style-type: none"> Water pressure of water inlet pipe is too low. Water inlet pipe is stuck. 	<ol style="list-style-type: none"> Check water pressure of water inlet pipe. Clean filter.
			Shunt valve failure.	<ol style="list-style-type: none"> Rubber gasket of valve broken. 	<ol style="list-style-type: none"> Replace a new one.
Motor runs normally, but no water spray out or abnormal water pressure of nozzle (Water pressure is not enough.)	<ol style="list-style-type: none"> Part of backwater net is blocked. Water level is too low. Hydraulic governor is off. There is air during water into water pump. Others. 	<ol style="list-style-type: none"> Take apart backwater net to clean with screwdriver and clear away sundries to keep water pass through fluently. Add water to normal requirement—higher than probe screw. Turn on Hydraulic governor. a) Turn on cleaning function valve to exhaust air. b) To prevent air in pipes, tighten water inlet pipe components of water pump. Water pipe and air pipe are connected contrarily; please contact professional personnel to mend. 	No air out from massage nozzle.	<ol style="list-style-type: none"> Sundries stuck in air pipe. Air pump is off. Air pump does not work. 	<ol style="list-style-type: none"> Take off nozzle and dredge little air pipe with iron wire. Turn on air pump. Follow air pump function failure steps to check.
			Water exhaust device doesn't bounce or leak water.	<ol style="list-style-type: none"> Screws become loosened or adjust too low. Zipper of water exhaust device is broken. Rubber gasket is not flat. 	<ol style="list-style-type: none"> Take off water exhaust device, tighten screw or readjust screw to suitable place. Replace whole set if it is true. Level up water exhaust device and reinstall it.
			Some water leave in pipes.	Because specific structure of some individual massage bathtub, it is not equipped with water exhaust function.	
Massage motor or air pump does not work.	<ol style="list-style-type: none"> Abnormal voltage or power connection failure. Fuse burns down or anticreeping switch tripping operation. Nothing displays on circuit panel. No water level probe signal. Baroswitch broken. 	<ol style="list-style-type: none"> Switching power switch. After professional electrician check there is no abnormal situation, replacing fuse or switching anticreeping switch. Contact distributor or EAGO after sale service department. Add water to normal level—add water higher than probe screw. Professional electrician replaces the same model baroswitch. 			

Maintenance Record

Date	Item	Maintenance Company	Maintenance Staff