

Instructions For Installation of New Polymer Dampener to Frog Legs Caster Forks

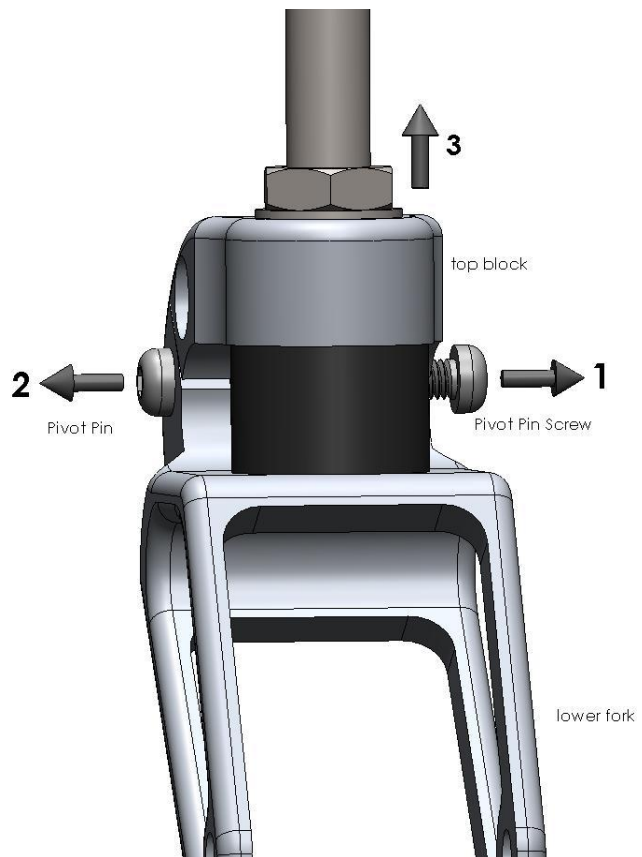


Frog Legs™ Shock Absorbers

Tools Required

- 2- 5/32 inch (4mm) Allen wrenches

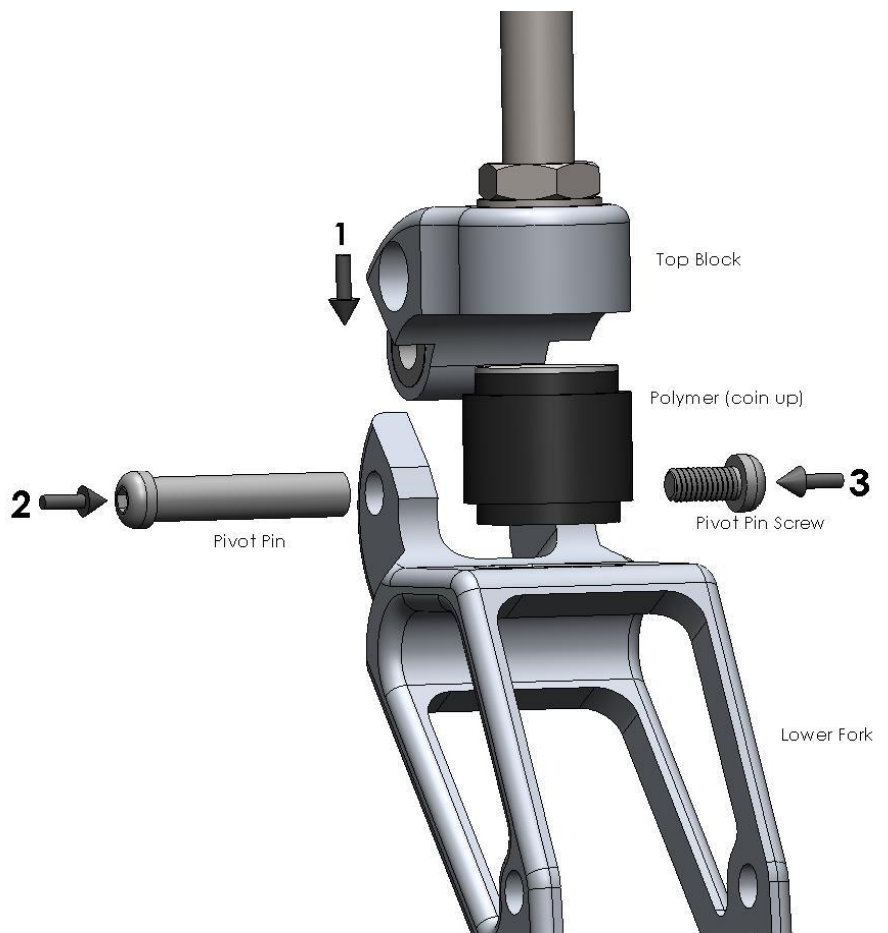
Step 1. Using the 4mm Allen wrenches, loosen and remove the pivot bolt. This is the pin that the upper and lower sections pivot on as seen in the Illustration below.



Instructions For Installation of New Polymer Dampener to Frog Legs Caster Forks

Step 2. Make sure that the polymer dampener is placed coin side up in the machined seat (a hole that does not go all the way through) in both blocks.

Step 3. Re-assemble the two sections (top and bottom) of the Frog Leg shock absorbing caster fork. *NOTE: Your Frog Leg suspension forks are designed with a slight pre-load so the forks may have to be pressed against a solid surface in order to line up the holes.* Tighten the pivot pin with the 4mm Allen wrenches. See Illustration below.



Instructions For Installation of New Polymer Dampener to Frog Legs Caster Forks

If you are unable to line up the holes, Frog Legs offers an alignment bullet that can be purchased for \$10. The \$10 is refundable if the bullet is returned. Please call our customer service at 641-682-0220 or 800-922-2129.

