

Directions for Replacing Bearings in Bearing-in-Fork Frog Legs Shock Absorbers

Frog Legs



A Leap In Innovation

Tools Required

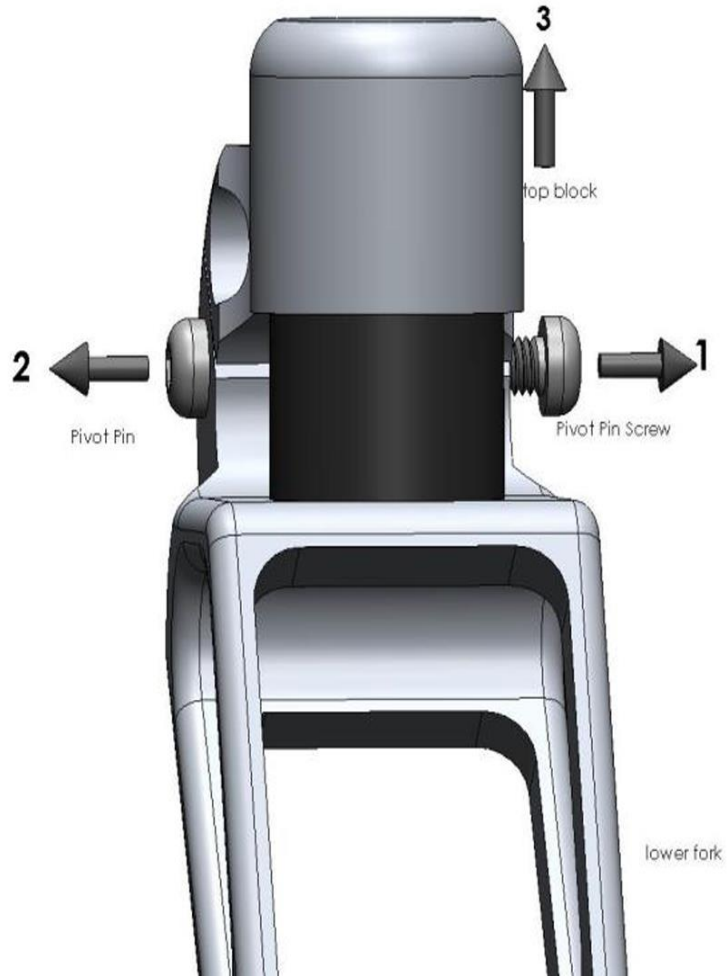
- Hammer
- Punch
- Internal Snap Ring Pliers
- 2- 5/32 inch (4mm) Allen wrenches

Step 1. In order to access the bearings in the top block, the fork must be unassembled. Remove the Frog Legs caster fork from the wheelchair and remove stembolt if it is present.

IMPORTANT: If you are working on a Sunrise Medical / Quickie wheelchair with camber adjustment mechanisms retain the camber adjustment parts and note the camber position. For more information please see the Installation Instructions for Sunrise Medical / Quickie Bearing-in-Fork casters.

Step 2. Use the 4mm Allen wrenches to loosen and remove the pivot bolt. This is the pin that the upper and lower sections pivot on as seen in the Illustration below.

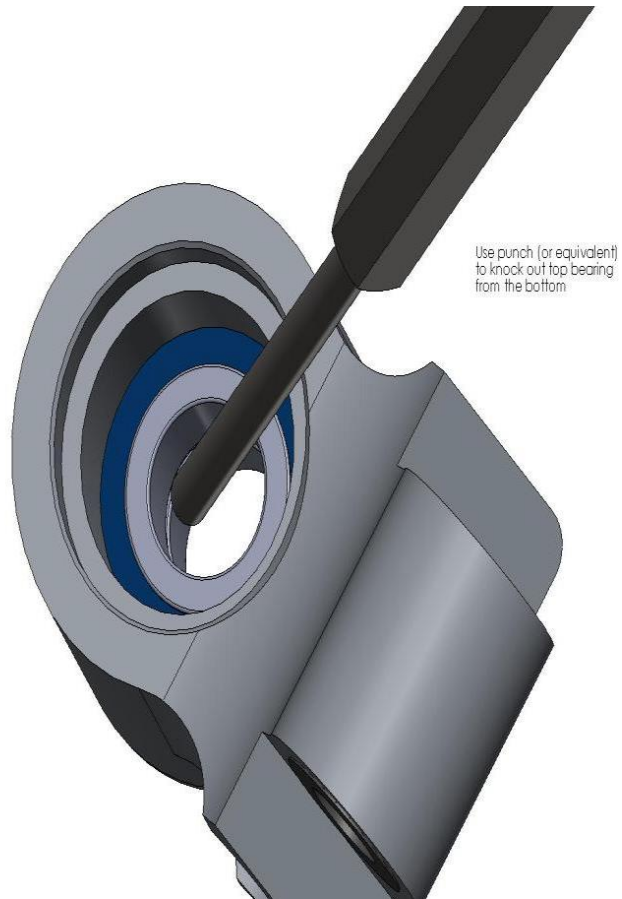
Directions for Replacing Bearings in Bearing-in-Fork



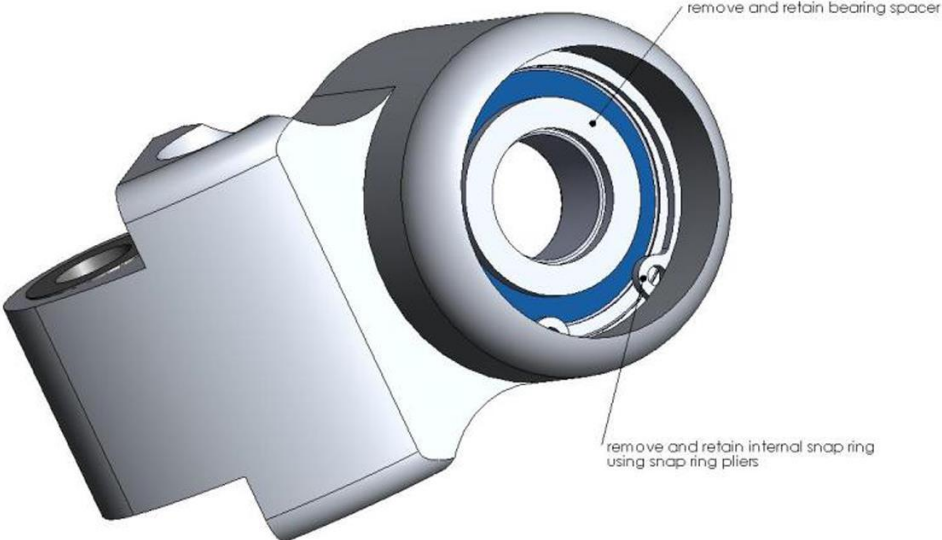
Frog Legs Shock Absorbers

Step 3. Position top block upside down. Use punch (or equivalent) to knock out top bearing from the bottom.

Step 4. Remove and retain bearing spacer. Remove and retain internal snap ring using snap ring

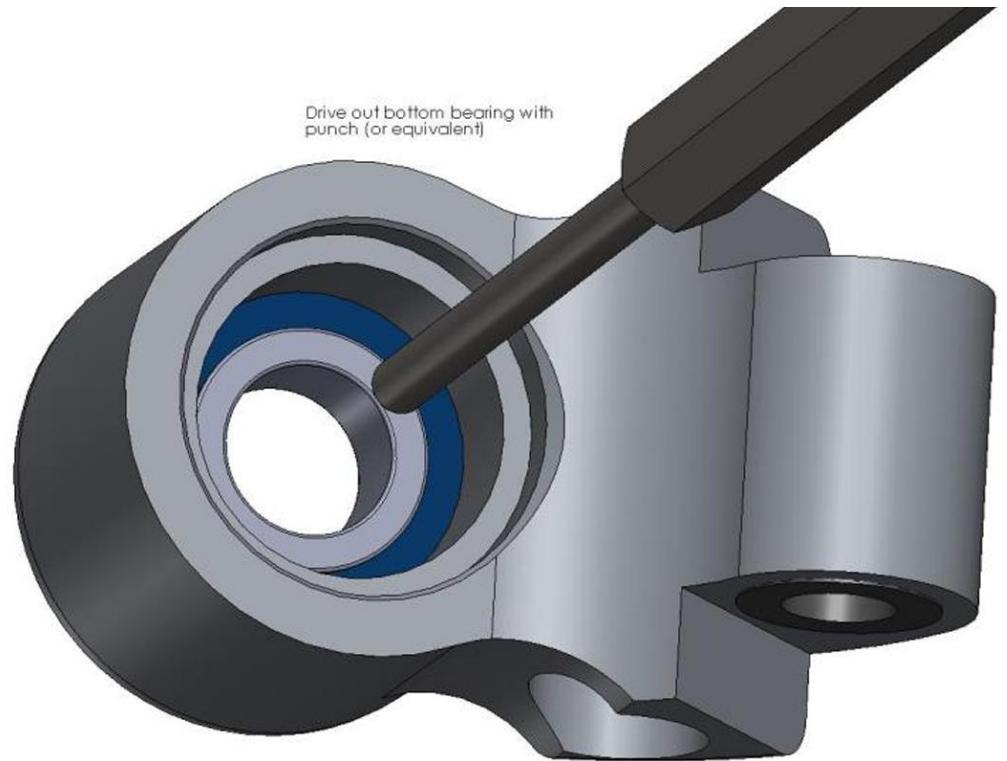


pliers.

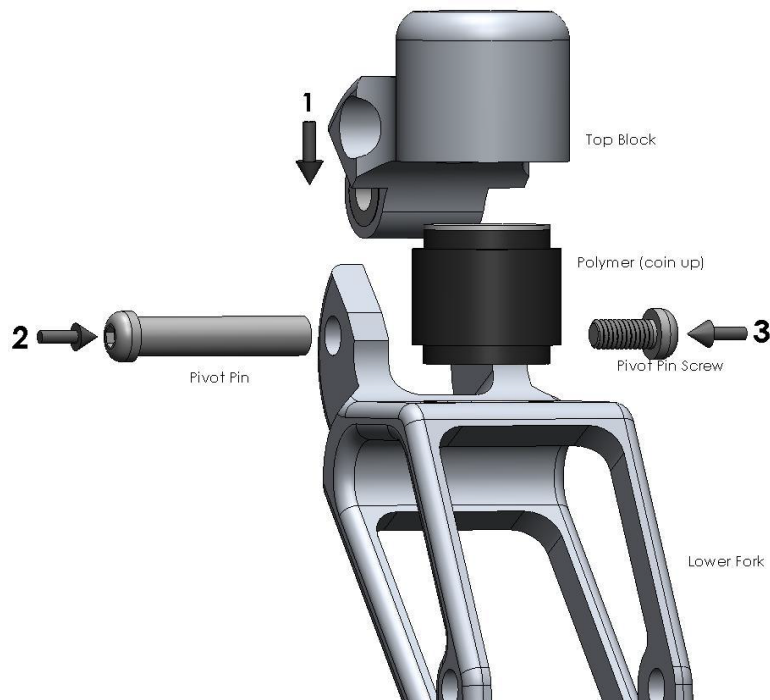


Directions for Replacing Bearings in Bearing-in-Fork Frog Legs Shock Absorbers

Step 5. Drive out bottom bearing with punch (or equivalent).



Step 6. Assembly will be in reverse.

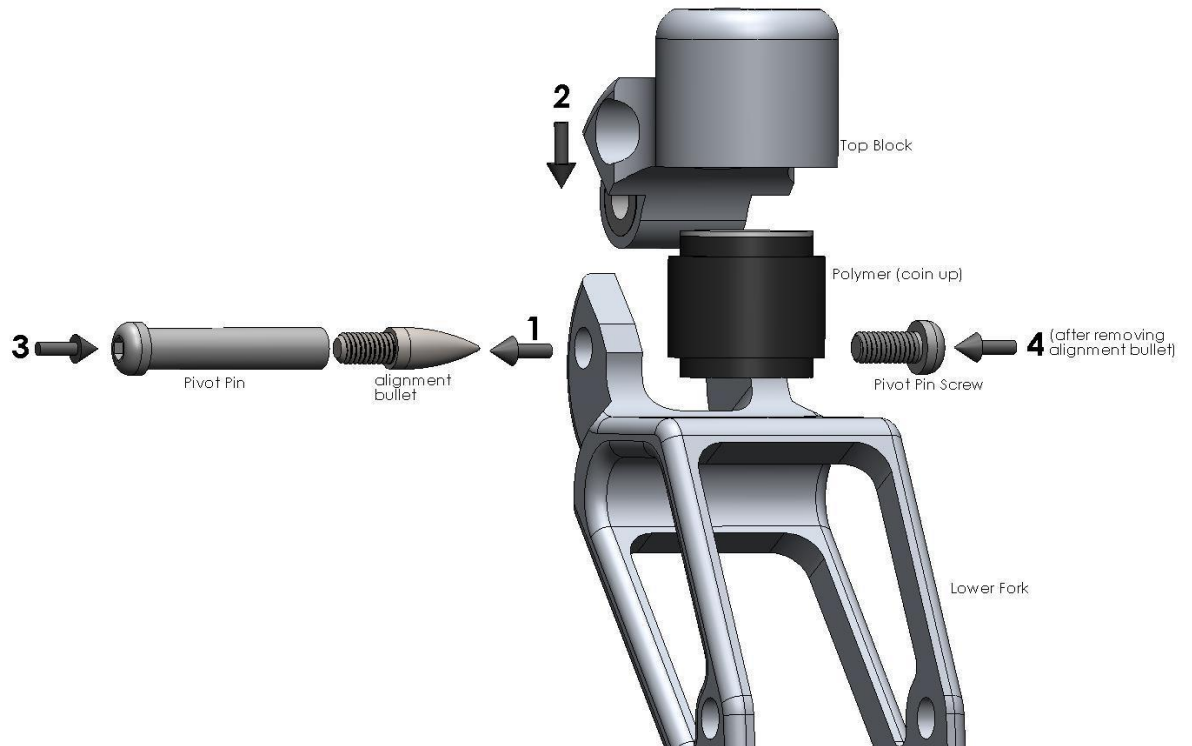


Press in bottom bearing. Re-install snap ring and bearing spacer. Press in top bearing.

Step 7. Re-assemble the two sections (top and bottom) of the Frog Leg shock absorbing caster fork. Make sure that the polymer dampener is placed coin side up in the machined seat (a hole that does not go all the way through) in both blocks. *NOTE: Your Frog Leg suspension forks are designed with a slight pre-load so the forks may have to be pressed against a solid surface in order to line up the holes.* Tighten the pivot pin with the 4mm Allen wrenches. See Illustration below.

Directions for Replacing Bearings in Bearing-in-Fork Frog Legs Shock Absorbers

If you are unable to line up the holes, Frog Legs offers an alignment bullet that can be purchased for \$10. The \$10 is refundable if the bullet is returned. Please call our customer service at 641-682-0220 or 800-922-2129.



Step 8. Reattach the caster fork to the wheelchair.