



# CARBON FIBER PROGRAM FOR KIA TELLURIDE

## Installation Guide



### Warning

Please refer to the Installation Guide for the proper installation of your product.  
Failure to handle this product correctly may result in injury or damage to the product.  
The manufacturer is not responsible for any damage caused by the user's mishandling.

### Installation Guide page

Carbon fiber front lip.....	2-4
Carbon fiber front air duct.....	5-6
Carbon fiber rear winglets.....	6-7

### Compatible with

- |                       |                       |
|-----------------------|-----------------------|
| 2020 Kia Telluride LX | 2022 Kia Telluride LX |
| 2020 Kia Telluride S  | 2022 Kia Telluride S  |
| 2020 Kia Telluride EX | 2022 Kia Telluride EX |
| 2020 Kia Telluride SX | 2022 Kia Telluride SX |
| 2021 Kia Telluride LX |                       |
| 2021 Kia Telluride S  |                       |
| 2021 Kia Telluride EX |                       |
| 2021 Kia Telluride SX |                       |

# INSTALLATION GUIDE

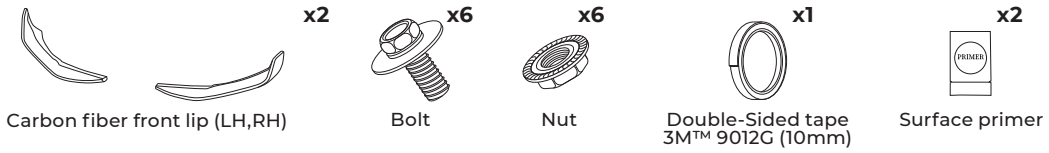
## TELLURIDE CARBON FIBER FRONT LIP

\*Professional installation recommended

ENG.

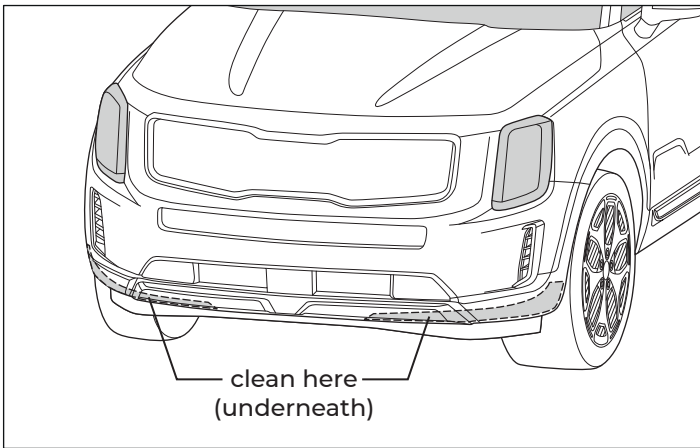
Page 1/3

### Components

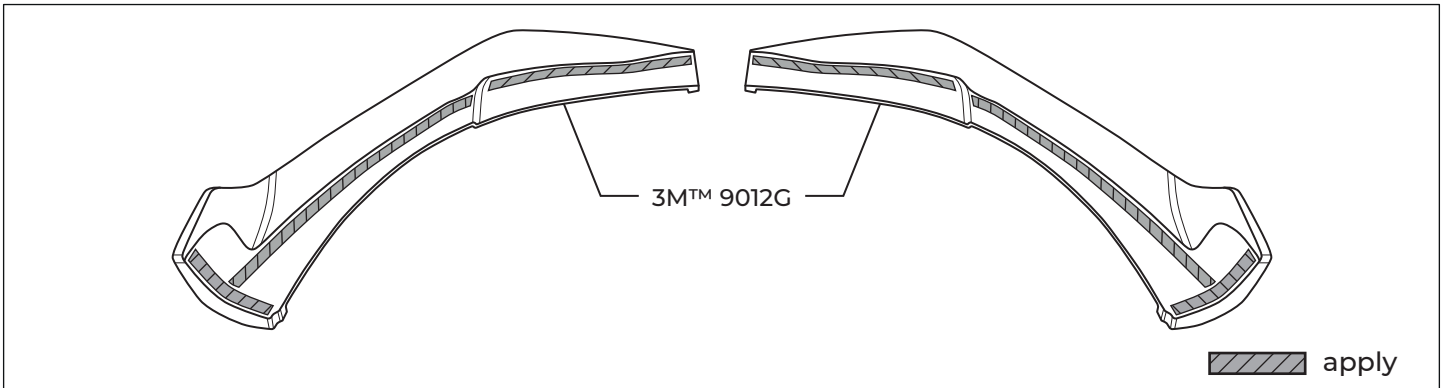


### A. Prep

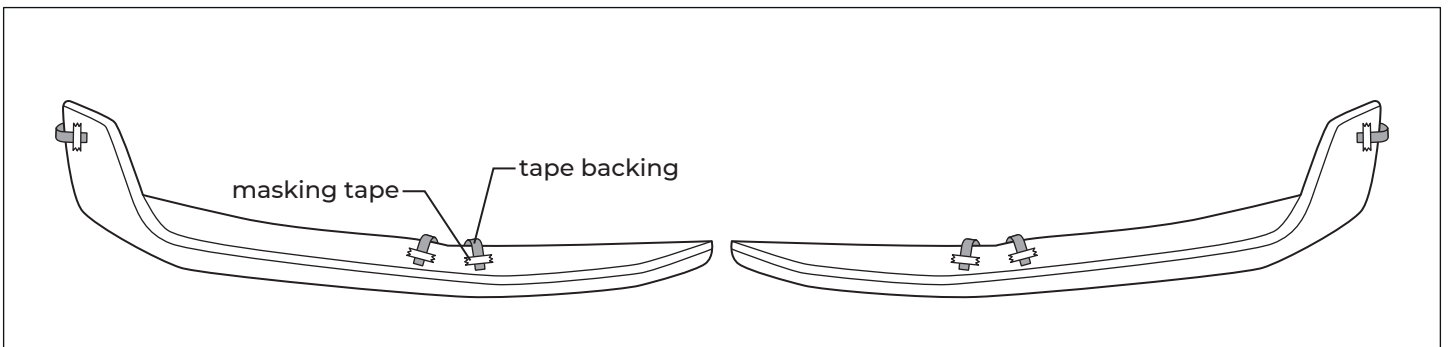
A-1. Ensure that your Telluride's front bumper has been thoroughly cleaned.



A-2. Prep the [carbon fiber front lip] with the provided [surface primer] and apply the [double-sided tape] as shown in the figure below.



A-3. Fold a small tail of the red backing material from the [3M™ Double-Sided Tape] and secure it with masking tape so that the backing material is accessible.



# INSTALLATION GUIDE

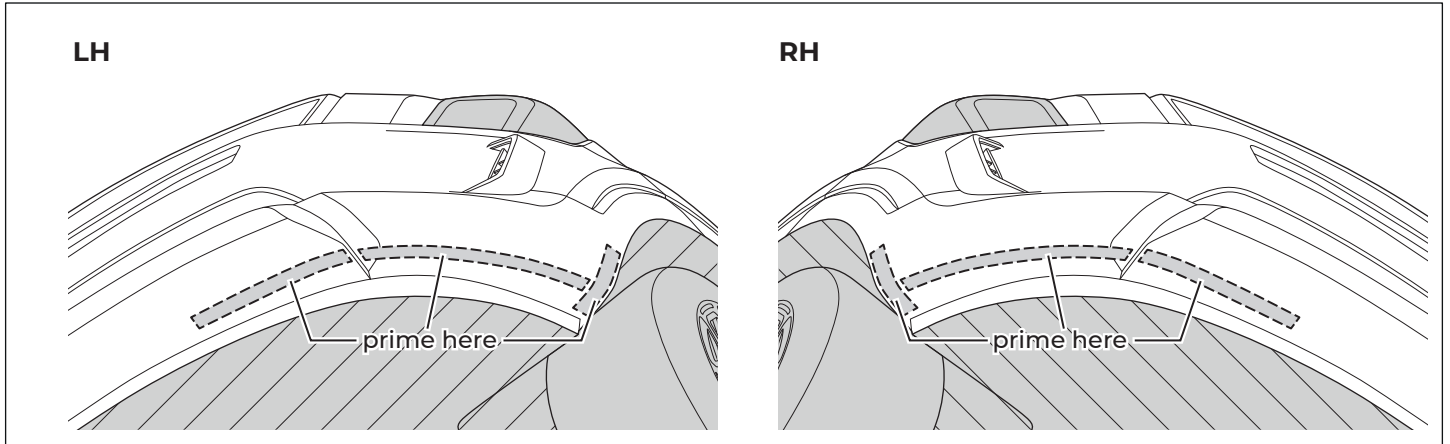
## TELLURIDE CARBON FIBER FRONT LIP

\*Professional installation recommended

ENG.

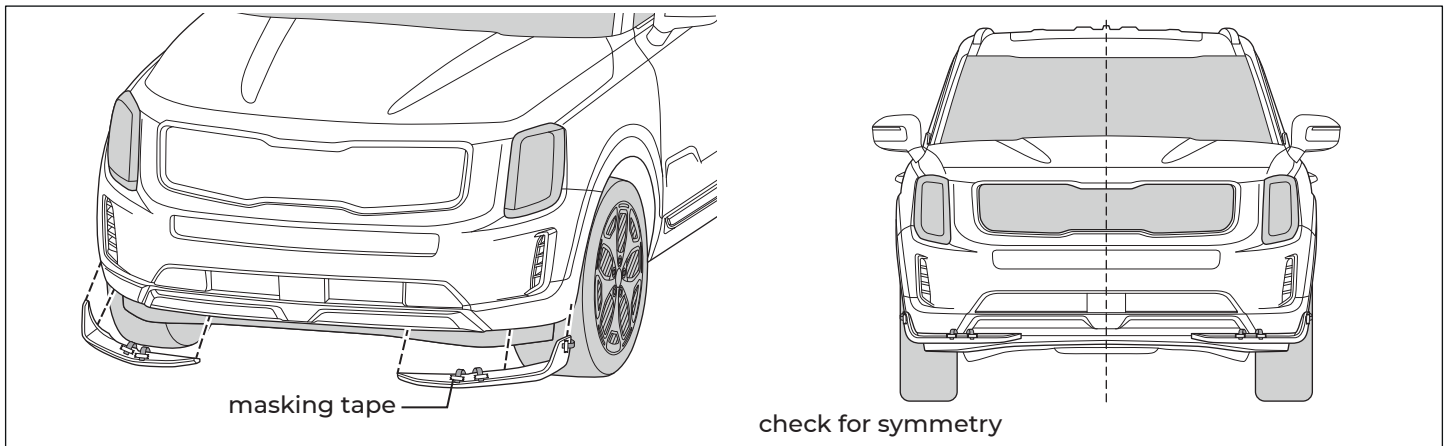
Page 2/3

A-4. Prep the front bumper with the provided [surface primer]. \*Be careful not to overuse the primer as it may damage the paint job.

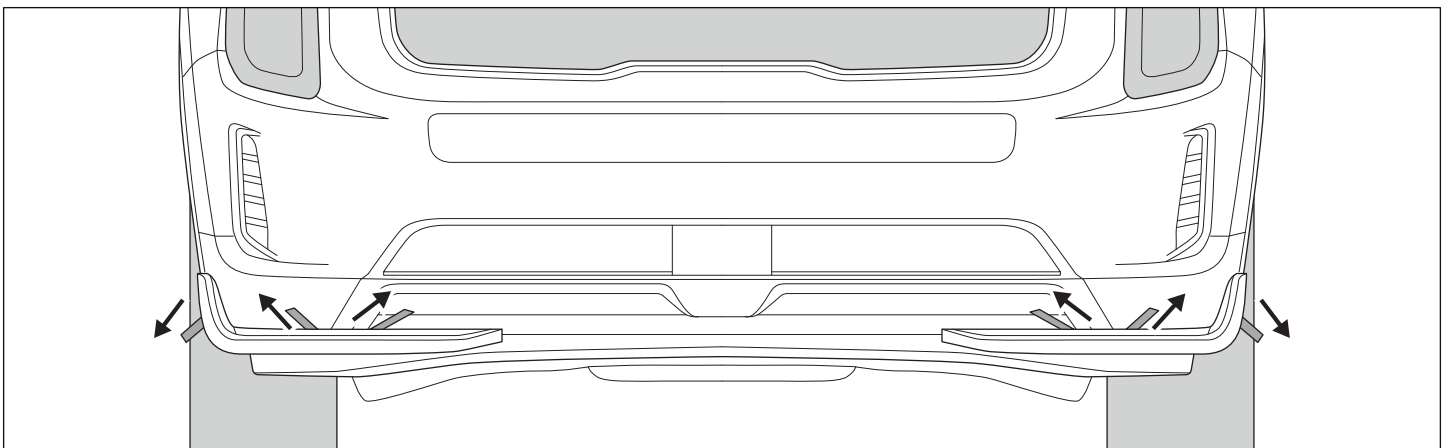


### B. Fit

B-1. Position the [carbon fiber front lip] so that it is perfectly symmetrical. \*Fit with care so as to avoid scratching the vehicle.



B-2. Once it is properly aligned, pull the tails on the double-sided tape and firmly press along the taped areas to ensure proper adhesion.



# INSTALLATION GUIDE

## TELLURIDE CARBON FIBER FRONT LIP

\*Professional installation recommended

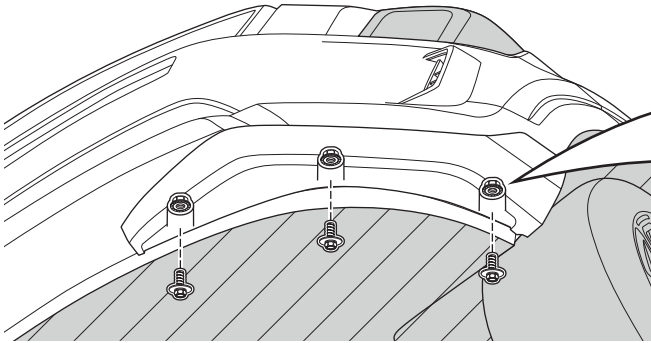
ENG.

Page 3/3

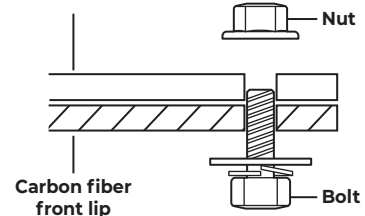
### C. Install

C-1. Using a power tool, secure the [carbon fiber front lip] to the bumper underneath with the provided components. (Done)

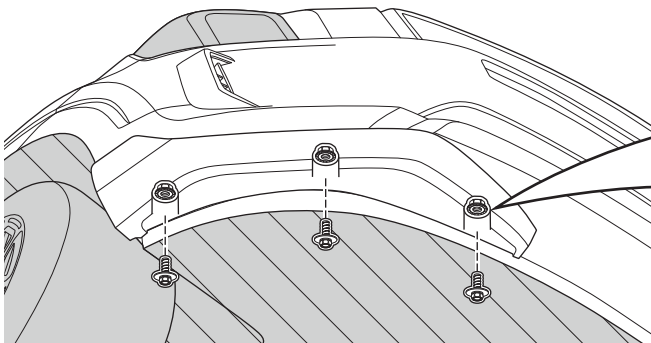
LH



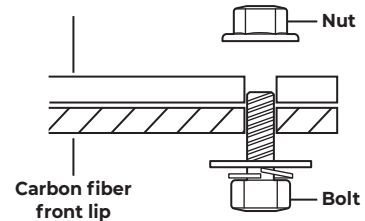
Front bumper



RH



Front bumper



# INSTALLATION GUIDE

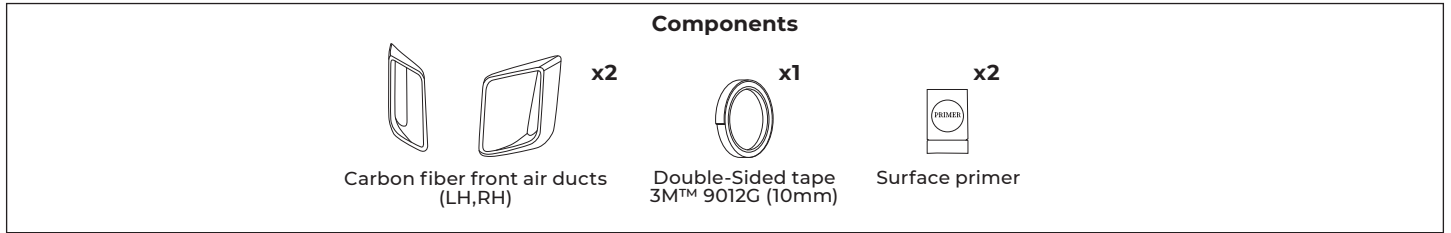
## TELLURIDE

### CARBON FIBER FRONT AIR DUCTS

\*Professional installation recommended

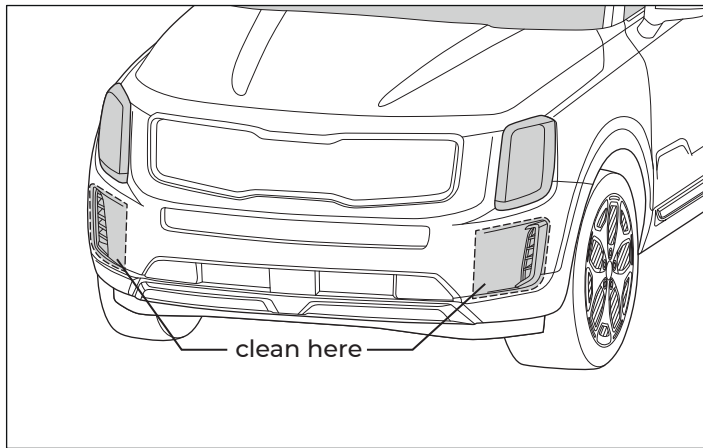
ENG.

Page 1/1

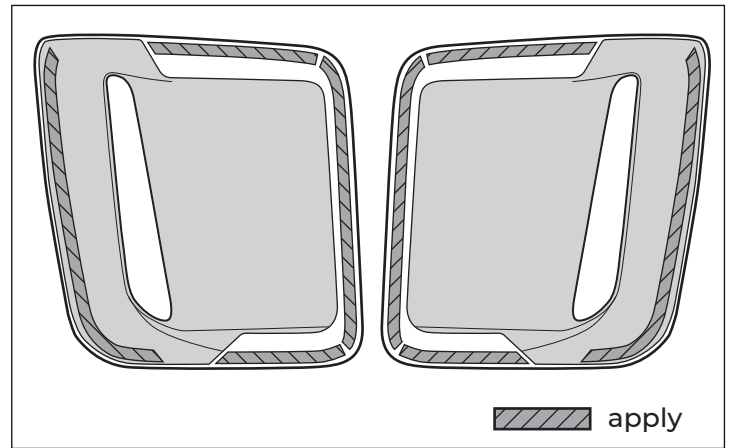


#### A. Prep

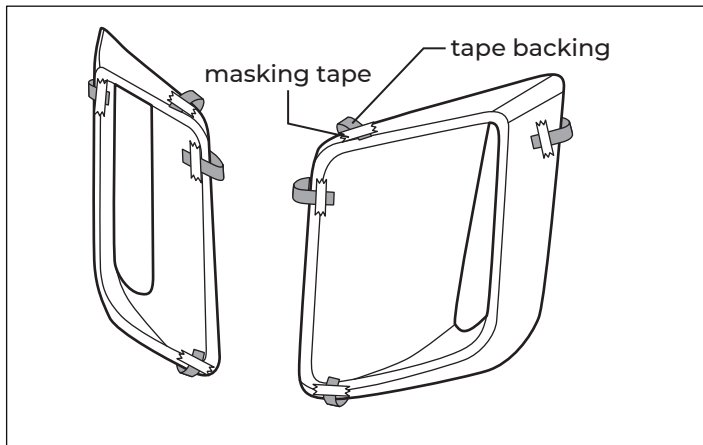
A-1. Ensure that your Telluride's front bumper has been thoroughly cleaned.



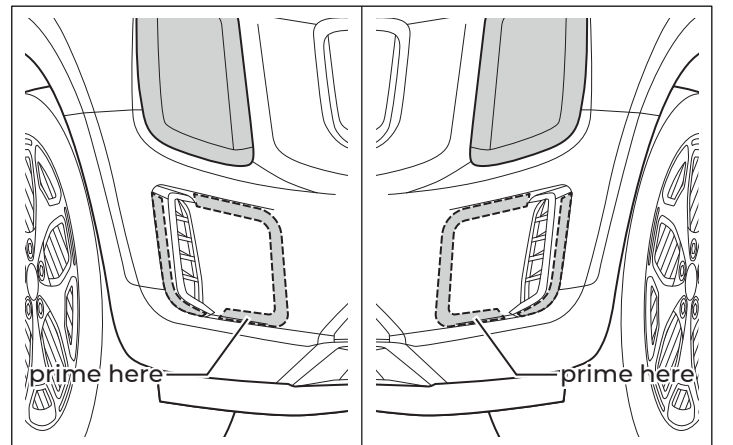
A-2. Prep the [carbon fiber front air ducts] with the provided [surface primer] and apply the [double-sided tape] shown in the figure below.



A-3. Fold a small tail of the red backing material from the [3M™ Double-Sided Tape] and secure it with masking tape so that the backing material is accessible.

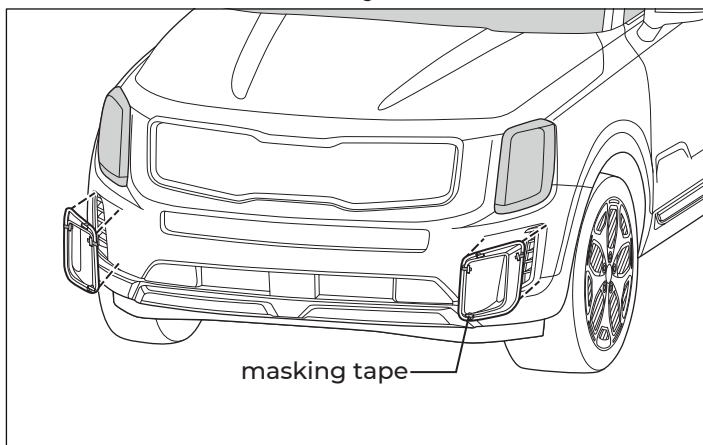


A-4. Ensure that your Telluride's front bumper has been thoroughly cleaned and prep it with the provided [surface primer]. \*Be careful not to overuse the primer as it may damage the paint job.

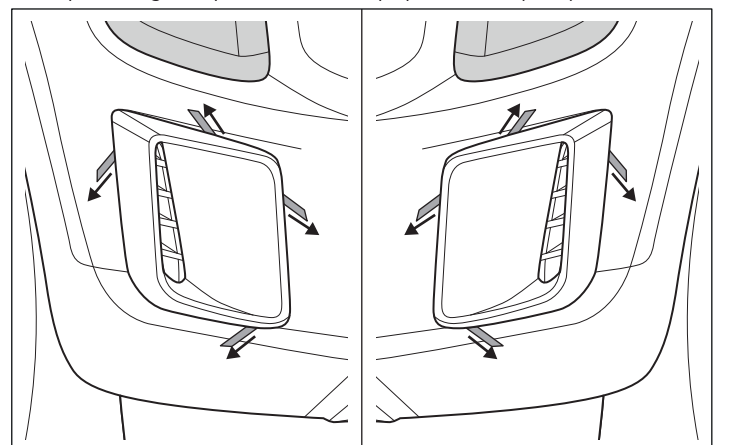


#### B. Fit & Install

B-1. Position the [carbon fiber front air ducts] so that it is perfectly aligned.  
\*Fit with care so as to avoid scratching the vehicle.



B-2. Once it is properly aligned, pull the tails on the double-sided tape and firmly press along the taped areas to ensure proper adhesion. (Done)



# INSTALLATION GUIDE

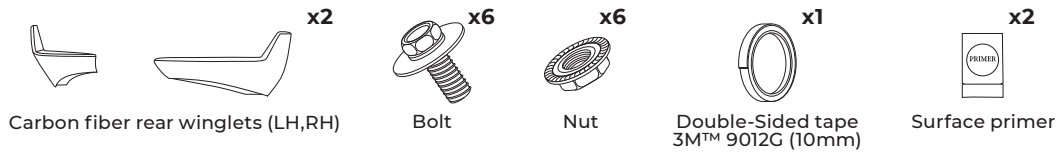
## TELLURIDE CARBON FIBER REAR WINGLETS

\*Professional installation recommended

ENG.

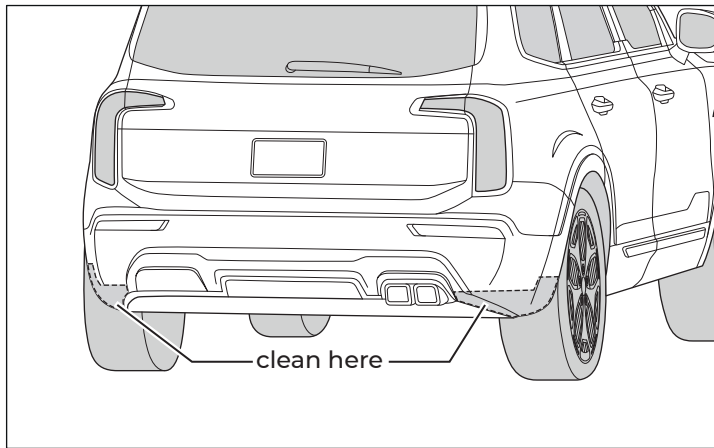
Page 1/2

### Components

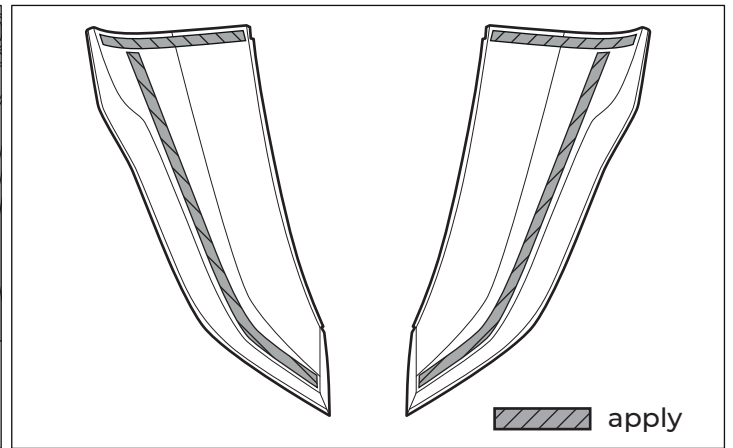


### A. Prep

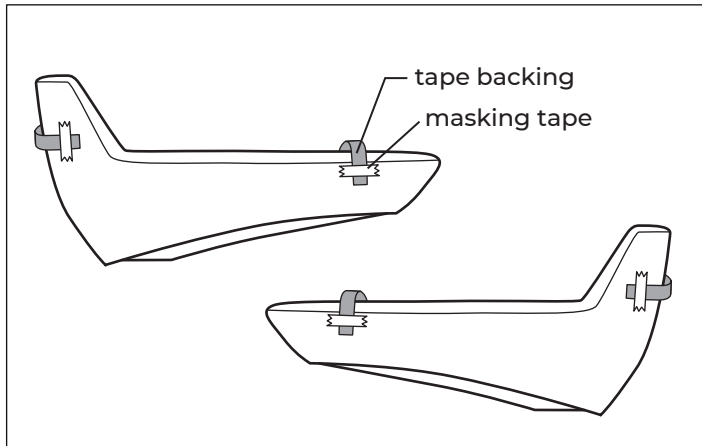
A-1. Ensure that your Telluride's rear bumper has been thoroughly cleaned.



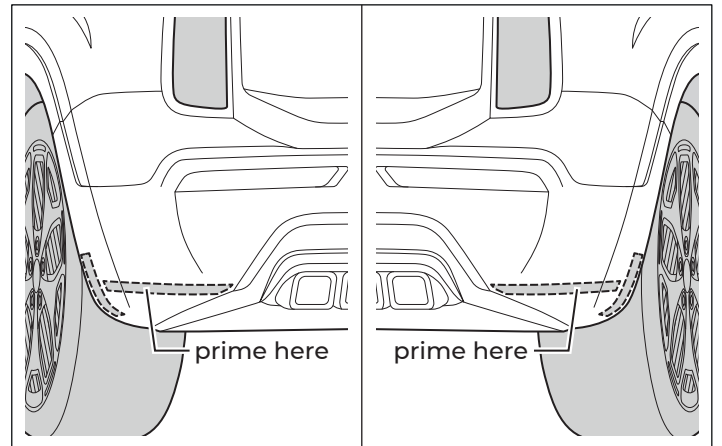
A-2. Prep the [carbon fiber rear winglets] with the provided [surface primer] and apply the [double-sided tape] shown in the figure below.



A-3. Fold a small tail of the red backing material from the [3M™ Double-Sided Tape] and secure it with masking tape so that the backing material is accessible.

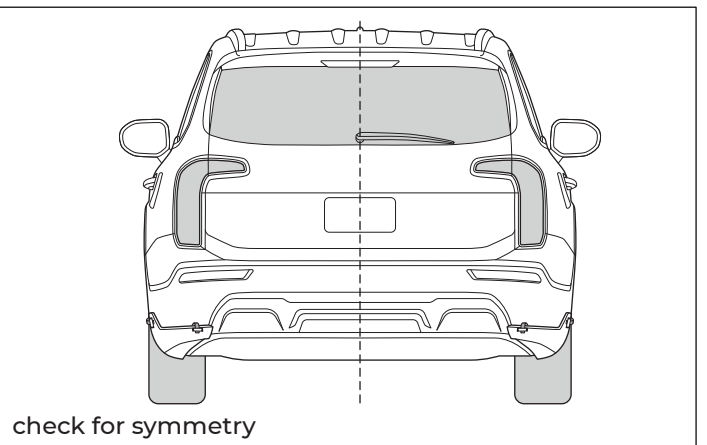
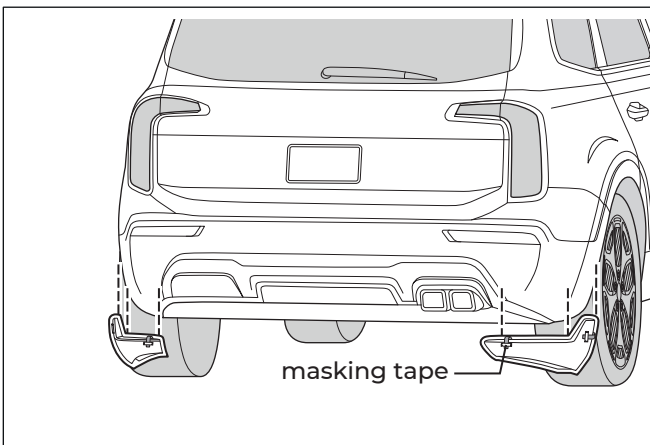


A-4. Ensure that your Telluride's rear bumper has been thoroughly cleaned and prep it with the provided [surface primer]. \*Be careful not to overuse the primer as it may damage the paint job.



### B. Fit

B-1. Position the [carbon fiber rear winglets] so that it is perfectly symmetrical. \*Fit with care so as to avoid scratching the vehicle.



# INSTALLATION GUIDE

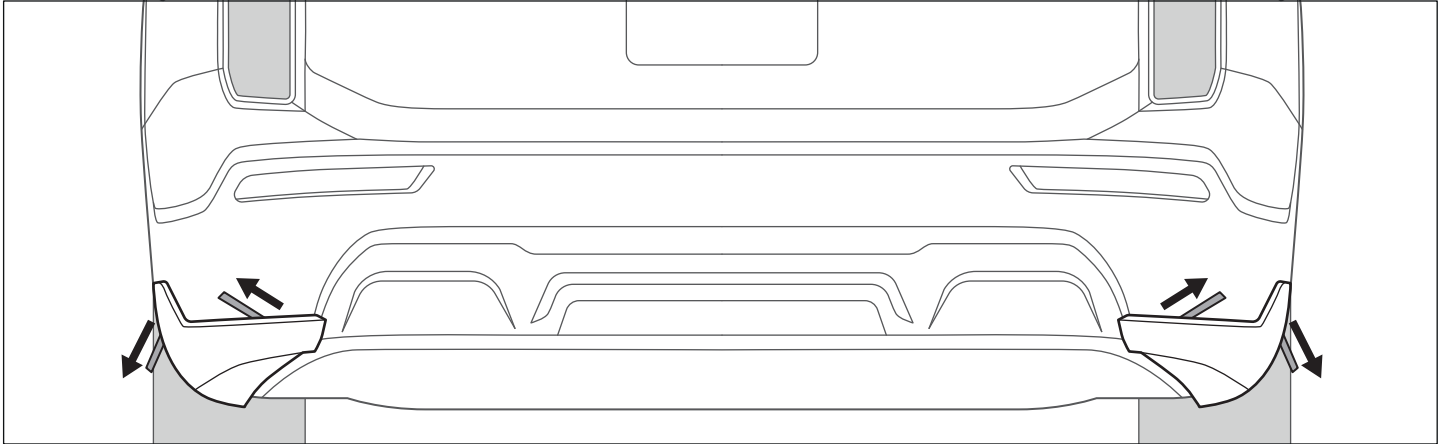
## TELLURIDE CARBON FIBER REAR WINGLETS

\*Professional installation recommended

ENG.

Page 2/2

B-2. Once it is properly aligned, pull the tails on the double-sided tape and firmly press along the taped areas to ensure proper adhesion.



### C. Install

C-1. Using a power tool, secure the [carbon fiber rear winglets] to the bumper underneath with the provided components. (Done)

