

INSTALLATION GUIDE

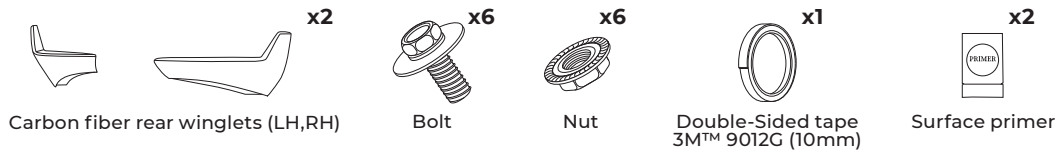
TELLURIDE CARBON FIBER REAR WINGLETS

*Professional installation recommended

ENG.

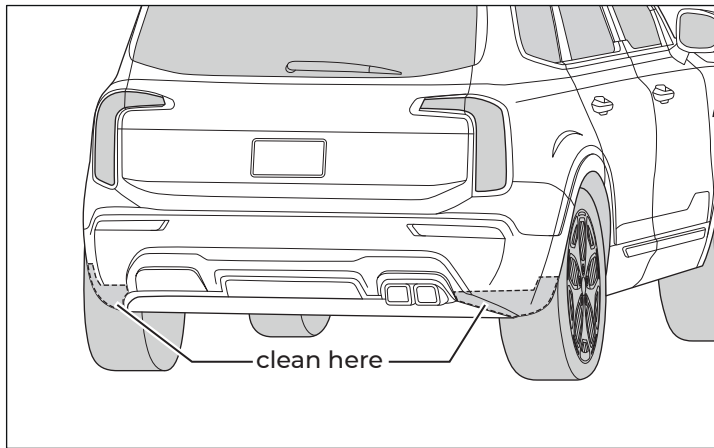
Page 1/2

Components

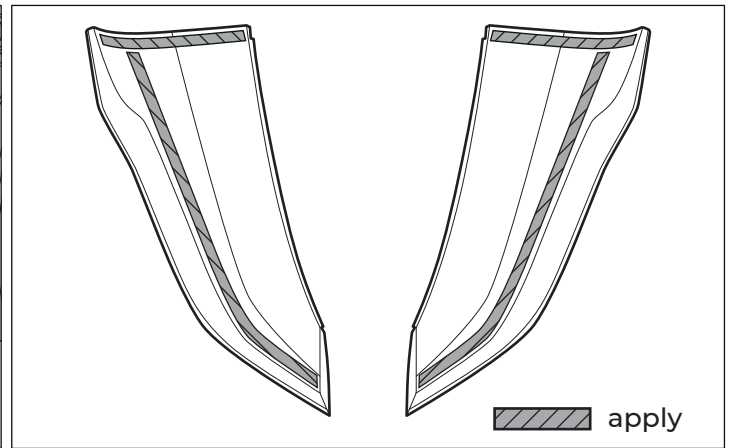


A. Prep

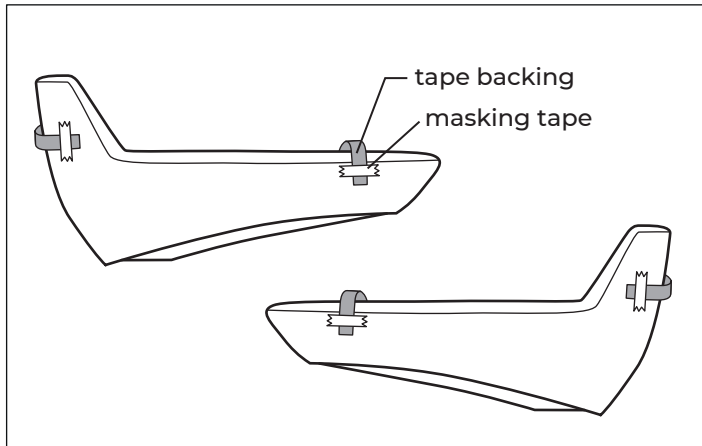
A-1. Ensure that your Telluride's rear bumper has been thoroughly cleaned.



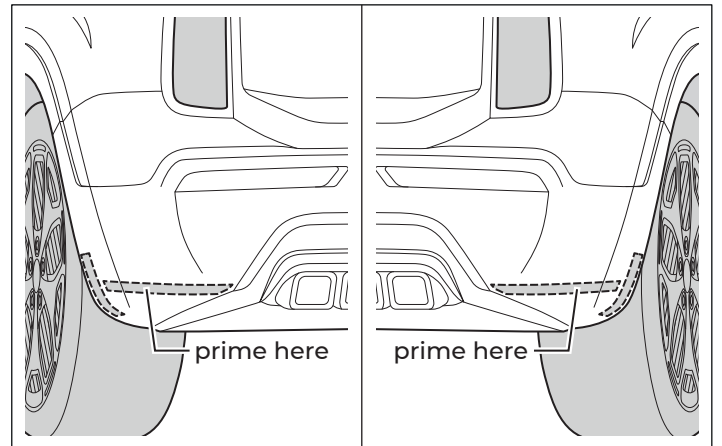
A-2. Prep the [carbon fiber rear winglets] with the provided [surface primer] and apply the [double-sided tape] shown in the figure below.



A-3. Fold a small tail of the red backing material from the [3M™ Double-Sided Tape] and secure it with masking tape so that the backing material is accessible.

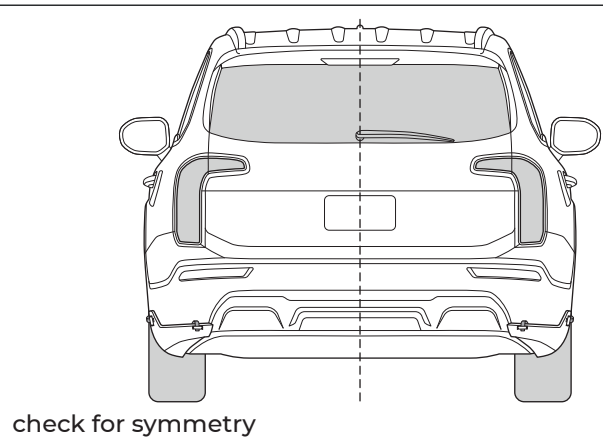
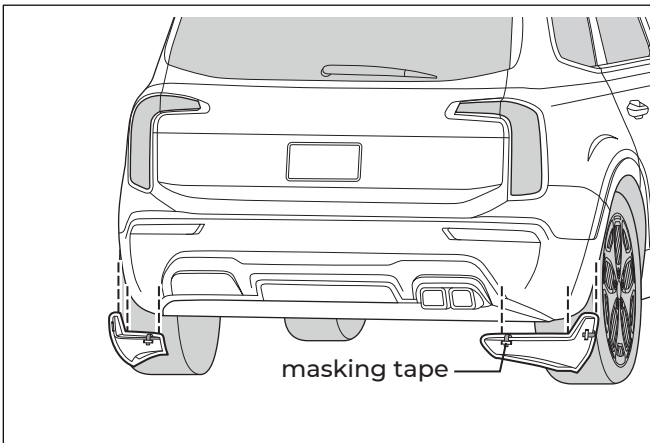


A-4. Ensure that your Telluride's rear bumper has been thoroughly cleaned and prep it with the provided [surface primer]. *Be careful not to overuse the primer as it may damage the paint job.



B. Fit

B-1. Position the [carbon fiber rear winglets] so that it is perfectly symmetrical. *Fit with care so as to avoid scratching the vehicle.



INSTALLATION GUIDE

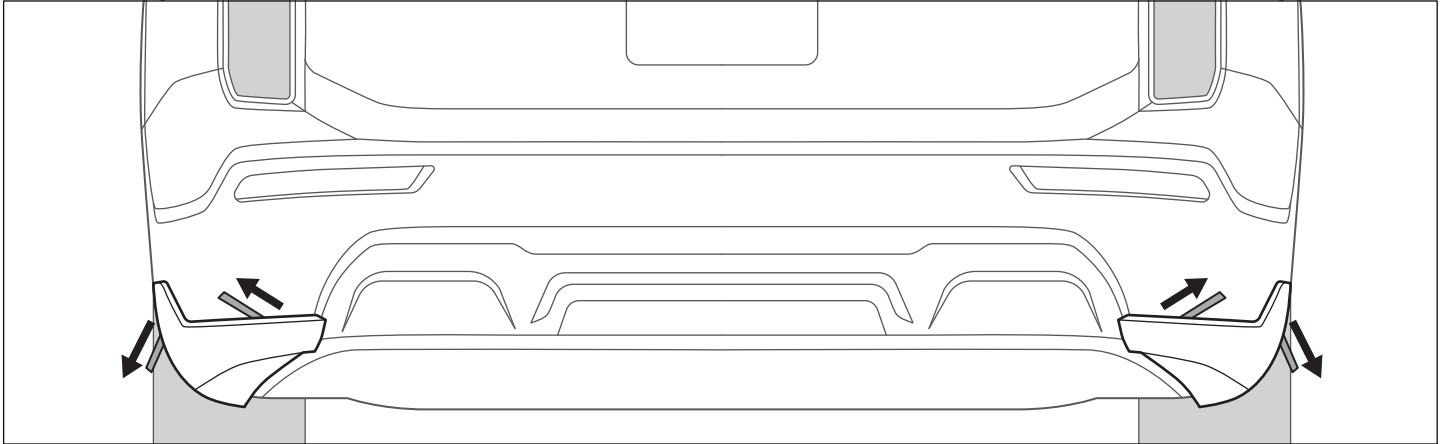
TELLURIDE CARBON FIBER REAR WINGLETS

*Professional installation recommended

ENG.

Page 2/2

B-2. Once it is properly aligned, pull the tails on the double-sided tape and firmly press along the taped areas to ensure proper adhesion.



C. Install

C-1. Using a power tool, secure the [carbon fiber rear winglets] to the bumper underneath with the provided components. (Done)

