

INSTALLATION GUIDE

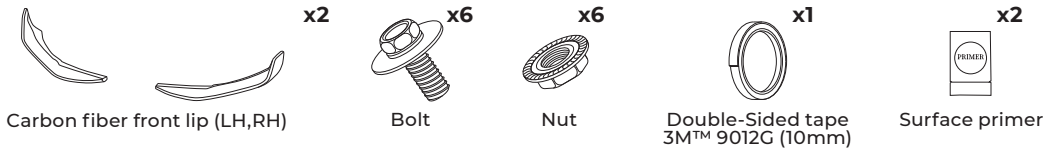
TELLURIDE CARBON FIBER FRONT LIP

*Professional installation recommended

ENG.

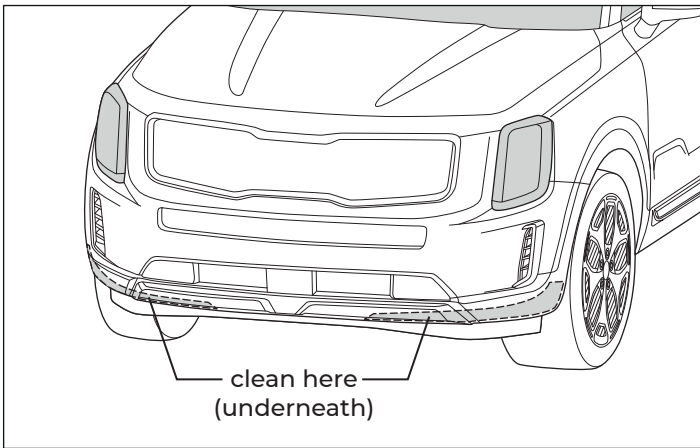
Page 1/3

Components

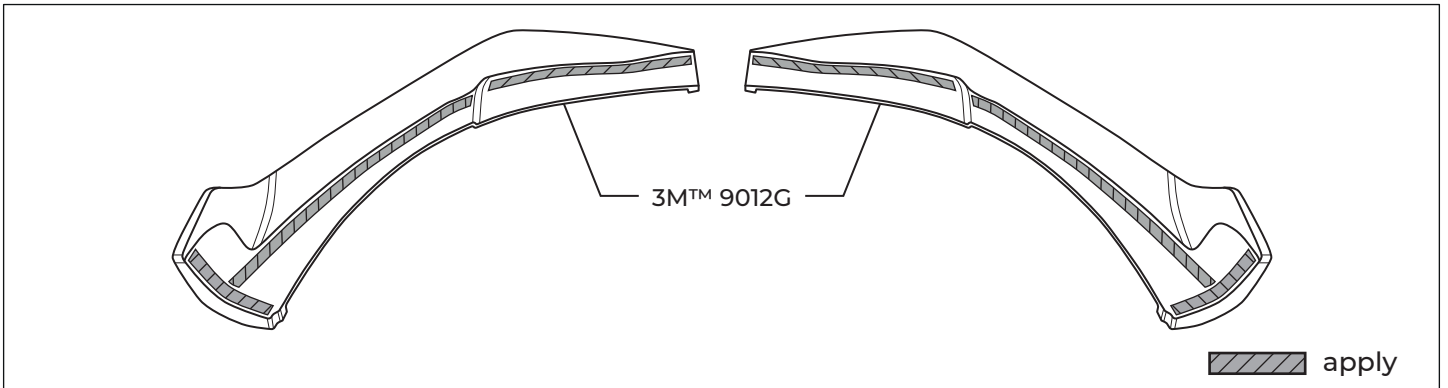


A. Prep

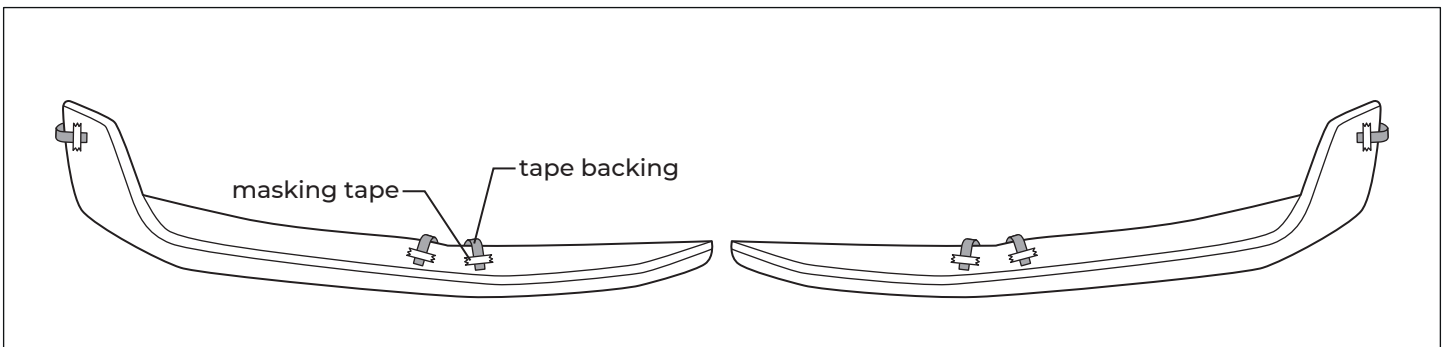
A-1. Ensure that your Telluride's front bumper has been thoroughly cleaned.



A-2. Prep the [carbon fiber front lip] with the provided [surface primer] and apply the [double-sided tape] as shown in the figure below.



A-3. Fold a small tail of the red backing material from the [3M™ Double-Sided Tape] and secure it with masking tape so that the backing material is accessible.



INSTALLATION GUIDE

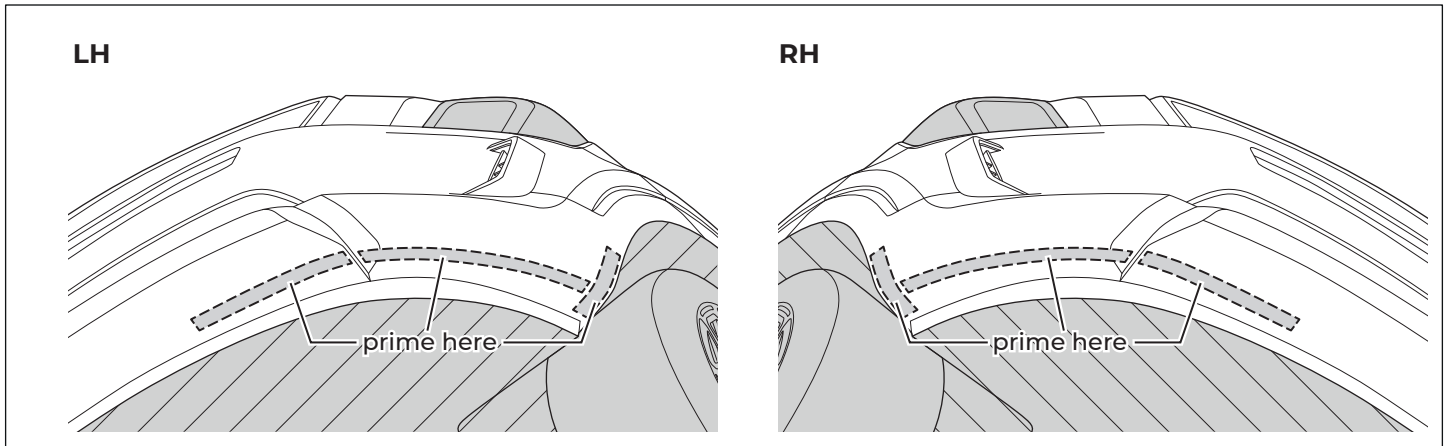
TELLURIDE CARBON FIBER FRONT LIP

*Professional installation recommended

ENG.

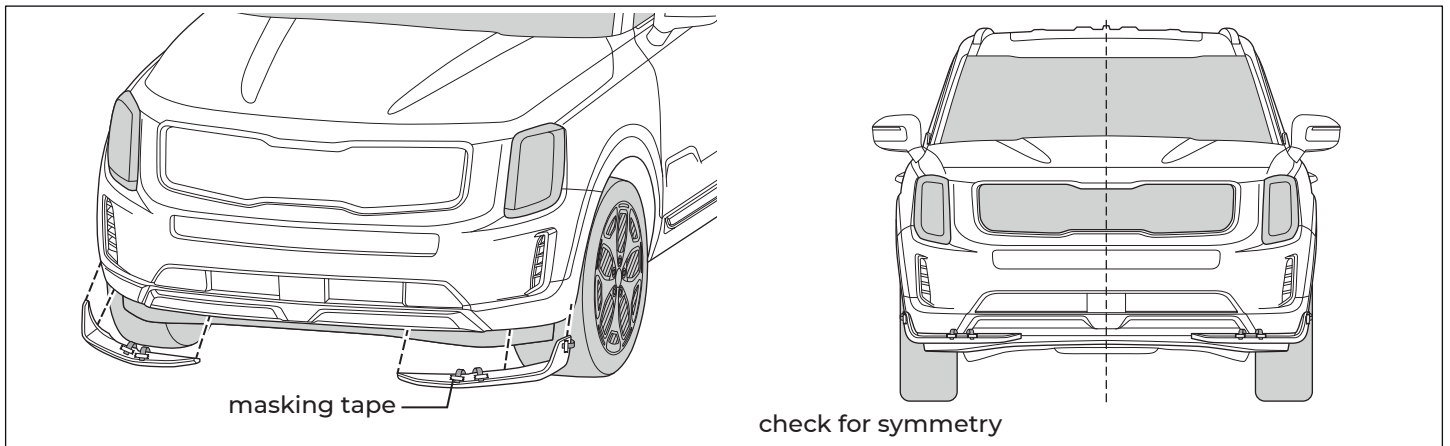
Page 2/3

A-4. Prep the front bumper with the provided [surface primer]. *Be careful not to overuse the primer as it may damage the paint job.

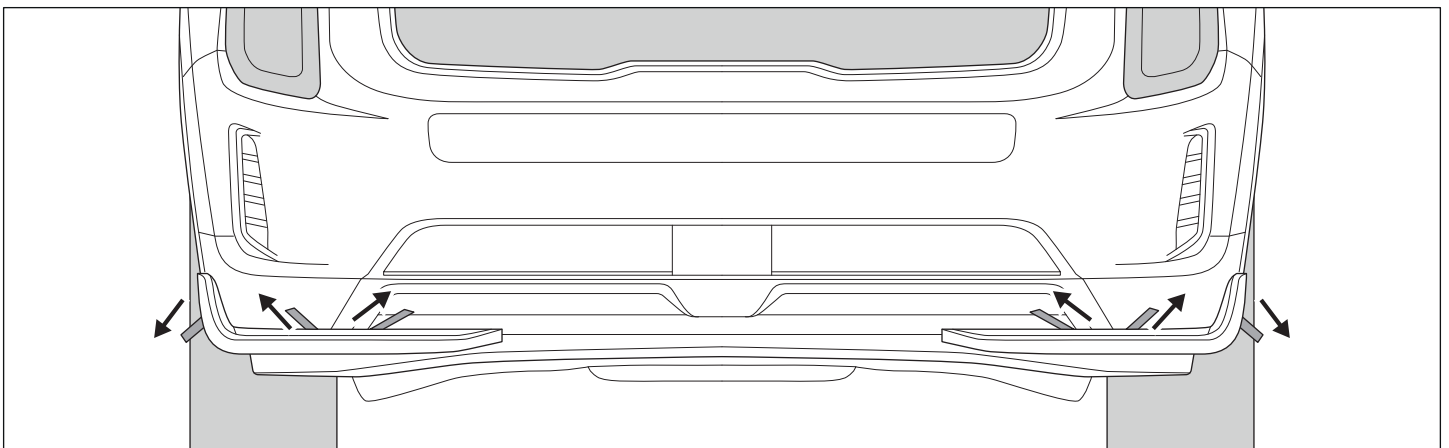


B. Fit

B-1. Position the [carbon fiber front lip] so that it is perfectly symmetrical. *Fit with care so as to avoid scratching the vehicle.



B-2. Once it is properly aligned, pull the tails on the double-sided tape and firmly press along the taped areas to ensure proper adhesion.



INSTALLATION GUIDE

TELLURIDE CARBON FIBER FRONT LIP

*Professional installation recommended

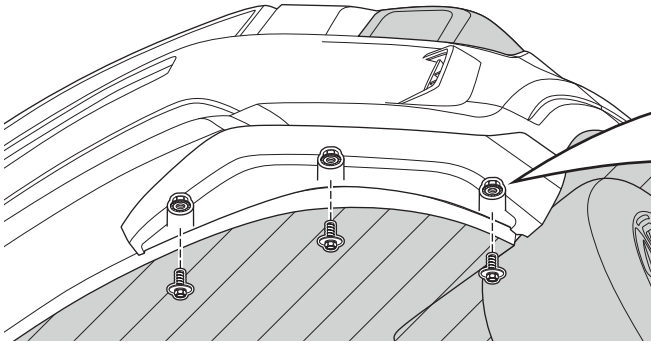
ENG.

Page 3/3

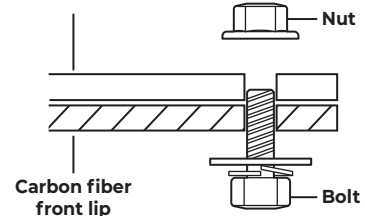
C. Install

C-1. Using a power tool, secure the [carbon fiber front lip] to the bumper underneath with the provided components. (Done)

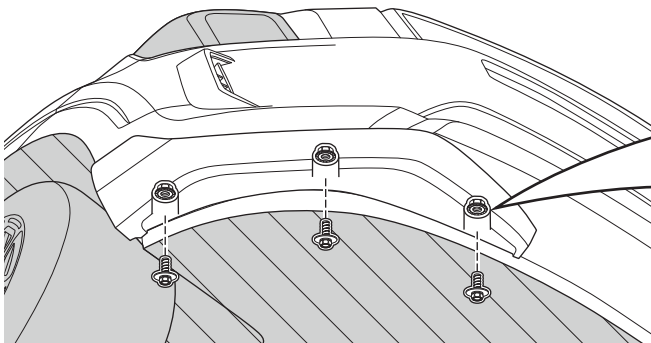
LH



Front bumper



RH



Front bumper

