

INSTALLATION GUIDE

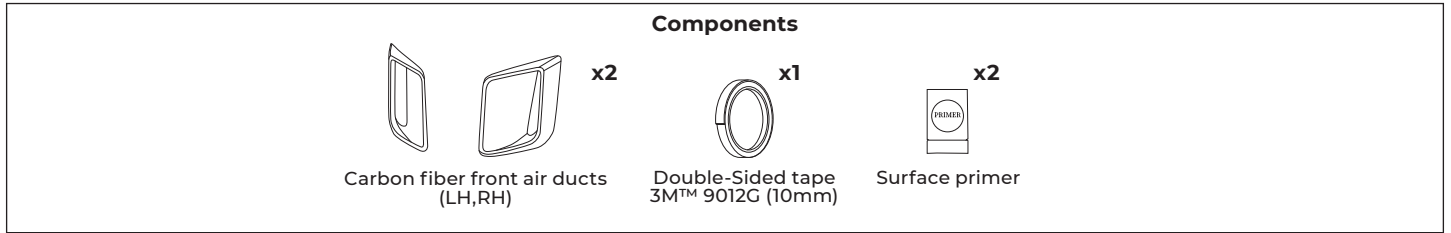
TELLURIDE

CARBON FIBER FRONT AIR DUCTS

*Professional installation recommended

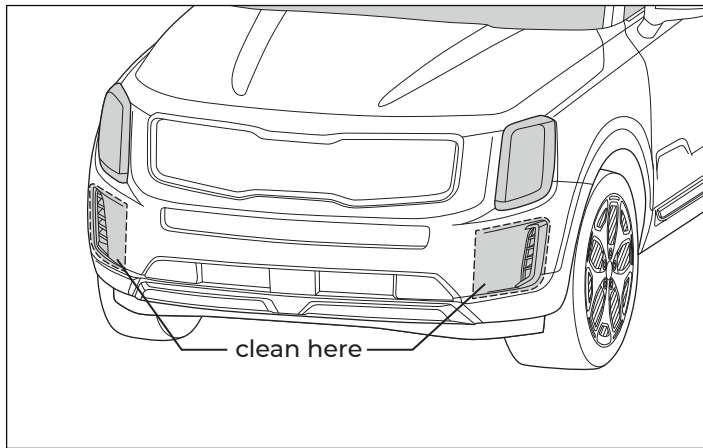
ENG.

Page 1/1

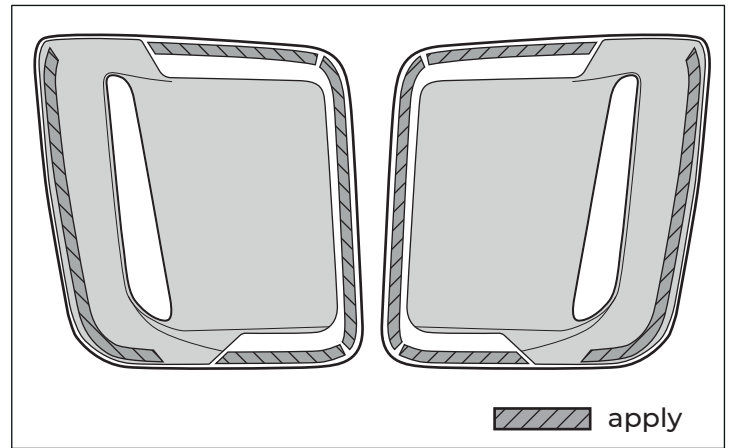


A. Prep

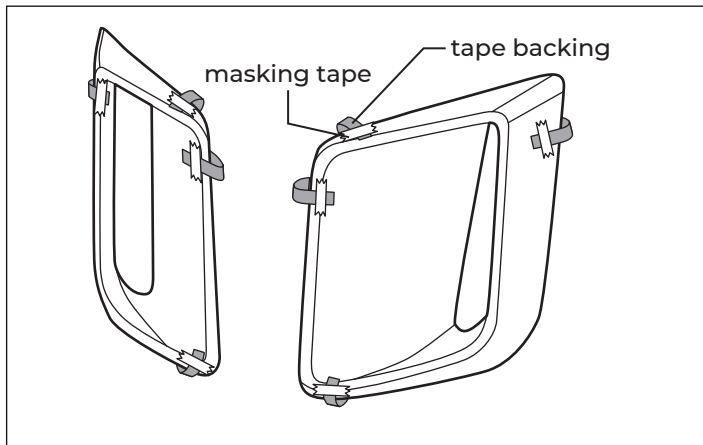
A-1. Ensure that your Telluride's front bumper has been thoroughly cleaned.



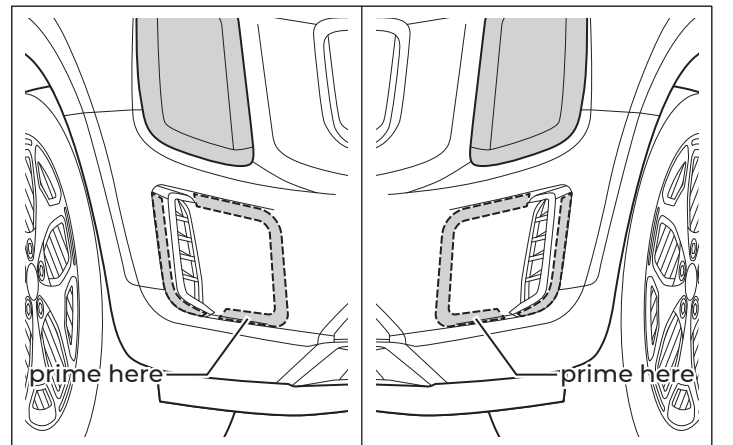
A-2. Prep the [carbon fiber front air ducts] with the provided [surface primer] and apply the [double-sided tape] shown in the figure below.



A-3. Fold a small tail of the red backing material from the [3M™ Double-Sided Tape] and secure it with masking tape so that the backing material is accessible.

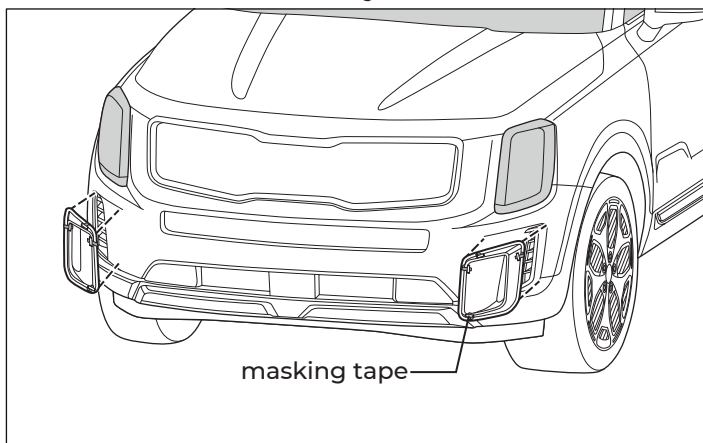


A-4. Ensure that your Telluride's front bumper has been thoroughly cleaned and prep it with the provided [surface primer]. *Be careful not to overuse the primer as it may damage the paint job.



B. Fit & Install

B-1. Position the [carbon fiber front air ducts] so that it is perfectly
*Fit with care so as to avoid scratching the vehicle.



B-2. Once it is properly aligned, pull the tails on the double-sided tape and firmly press along the taped areas to ensure proper adhesion. (Done)

