

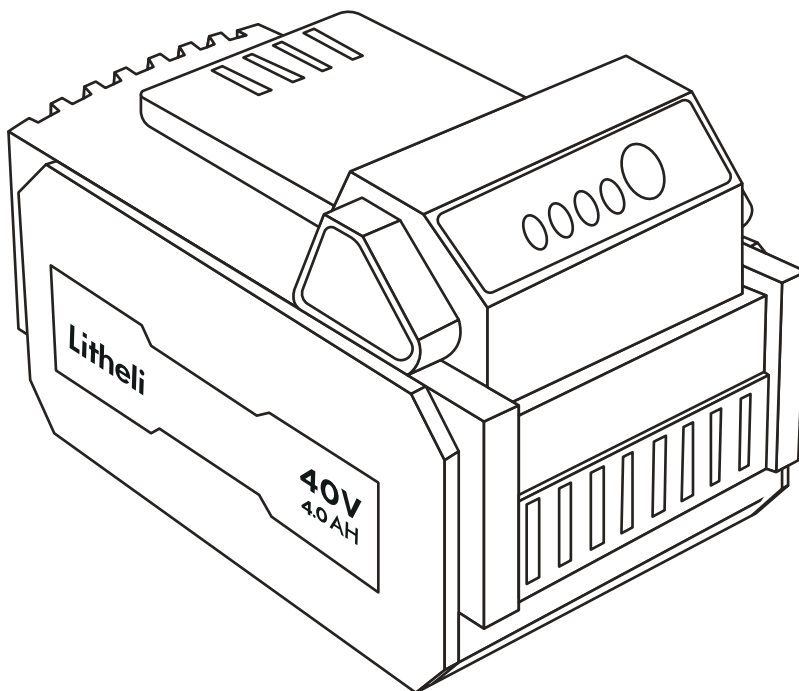
Operator's Manual

Save This Manual Keep this manual for the safety warnings and precautions, assembly, operating, inspection, maintenance and cleaning procedures. Write the product's serial number in the back of the manual near the assembly diagram (or month and year of purchase if product has no number). Keep this manual and the receipt in a safe and dry place for future reference.

Litheli

40V LI-ION BATTERY

U1BY30100



Visit our website at: <http://www.litheli.com>



⚠️ WARNING

Read this material before using this product.
Failure to do so can result in serious injury.
SAVE THIS MANUAL.

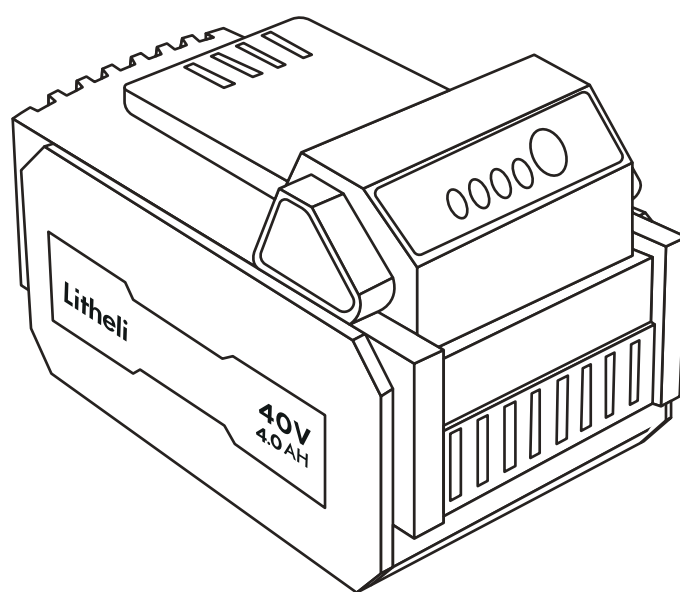
When unpacking, make sure that the product is intact and undamaged. If any parts are missing or broken, please contact us: WWW.LITHELI.COM.

Copyright © 2019 Litheli. All rights reserved.
No portion of this manual or any artwork contained herein may be reproduced in any shape or form without the express written consent of Litheli.
Diagrams within this manual may not be drawn proportionally. Due to continuing improvements, actual product may differ slightly from the product described herein.
Tools required for assembly and service may not be included.

Table of Contents

CONTENT	3
BATTERY-SAFETY RULES	4
RULES OF USE FOR YOUR BATTERY	4
SYMBOLS	5
USE OF YOUR BATTERY	6
RECYCLE THE BATTERY	8
CONFORMITY	9
TECHNICAL SPECIFICATIONS	10
WARRANTY	10

**IMPORTANT, TO BE KEPT FOR FUTURE
REFERENCE: TO BE READ CAREFULLY**



CHARACTERISTICS

Battery	U1BY30100
Voltage	40V
Amperage	4.0 AH
Type	LITHIUM-ION
Number of cells	10 cells

BATTERY-SAFETY RULES



Battery-powered devices do not need to be connected to the mains, so they are always in working order. Be aware of the risks associated with the device, even when it is not in use.

1. Remove the battery before adjusting, cleaning or removing any foreign matter from the unit.
2. A battery pack can only be recharged with the charger recommended by the manufacturer. Using a charger with an incompatible battery pack may result in a fire hazard.
3. Use the battery only with the specified charger.
4. Use only the battery pack specifically designed for the machine.
5. Using any other battery pack may cause fire, electric shock or serious injury.
6. When the battery pack is not in use, keep it away from other metal objects such as paper clips, coins, keys, nails, screws, or other small objects that may short circuit the charger terminals. Short-circuiting the charging port terminals could cause sparks, burns or fire.
7. Do not place battery-powered devices or their batteries near fire or heat sources. This will reduce the risk of explosion and injury.
8. Do not open or attempt to disassemble the battery.
9. Electrolyte leaks are corrosive and can cause damage to the eyes or skin. The electrolyte is very toxic and is very dangerous if ingested. If electrolyte comes into contact with your skin or eyes, wash them immediately with plenty of water and contact your doctor as soon as possible.
10. Do not short-circuit the battery pack. There would be a risk of explosion.
11. Protect the battery pack from moisture and water; do not charge this battery in a wet or humid environment. This will reduce the risk of electric shock.
12. If the battery is damaged or used improperly, vapors may be emitted. Ventilate the area immediately and contact a doctor in case of respiratory problems. Vapours are very irritating.
13. Do not leave the battery in the rain or in the sun, in a car during the summer for example.
14. Do not place the battery in regular household waste.
15. Do not incinerate the battery.
16. Dispose of the battery in an approved waste facility or recycling centre.

RULES OF USE FOR YOUR BATTERY

To ensure that the life of your battery is as long as possible, here are our tips:

Remove the battery from the charger when it is fully charged and ready for use.

For the storage of battery packs longer than 30 days:

1. Store the battery where the temperature is below 26°C and away from moisture.
2. Store the battery at 30% - 50% of its charge.
3. Every two months, recharge the battery to 30% - 50% of its capacity.







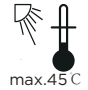

Recharge the battery when the device is running too slowly or stops.

The battery can be charged at any time without shortening its life. The interruption of charging does not damage the battery.

SYMBOLS

Battery

The symbols below are affixed to your product. Please study and learn their meaning. A better interpretation of these symbols will allow you to operate the product in the safest way.

	Do not throw in water.		To reduce the risk of accidents, it is imperative to read and understand the user guide before using the product.
	Protect the battery from heat and fire. Flammable product.		WARNING marking concerning Risk of Fire. Do not cover Charger ventilation ducts. Charge on fireproof surface only.
	This product should not be disposed of in regular household waste. Please drop it off at the waste collection centre or other approved recycling centre.		Do not throw away with household waste.
	Do not expose the battery to sunlight for a long time and do not place it on radiators (max. 45 ° C).		
	Dispose of the batteries at a collection point for old batteries, from where they are taken to environmentally friendly recycling.		

USE OF YOUR BATTERY

BATTERY LI-ION

Lithium-ion batteries deliver uninterrupted power throughout their operating life. The power of your 40V devices will not decrease during use, while the battery charge will decrease. However, the battery will stop supplying power to your device when the battery is discharged. It will then be necessary to recharge the battery. It is not necessary to completely discharge the battery before charging it, this is the advantage of Li-Ion batteries.

BATTERY PROTECTION

Our 40V batteries are designed to maximize their lifespan and protect their cells. If the unit stops during use, release the start trigger and attempt to operate the unit again. If it still doesn't work, then you have to recharge the battery.

COLD WEATHER USE

Li-Ion batteries can be used at temperatures down to -20°C. Switch on the battery in the tool, and use it during the day, with good lighting. After a good minute, the battery will have warmed up and will be operational.

RECHARGE THE BATTERY

Your battery is delivered charged to the minimum to avoid any problems during transport. First of all, it is imperative to fully recharge it once. If the battery does not charge, upon receipt, you should contact your Litheli service representative, and we will give you instructions for replacement if necessary. To recharge your battery, it is imperative to use a compatible charger, recommended by Litheli. If everything has been checked, you can connect the charger to the mains socket.

Insert the battery into the charger and check that it is engaged. The battery may become hot to the touch during charging. This phenomenon is quite normal.

Do not place the charger and battery in places that are too hot or too cold.

They will work much better in a room with a suitable ambient temperature (at home). Once the battery is charged, remove the power plug and you can disconnect the battery.

RECHARGING A BATTERY WHEN IT IS HOT

When you use a tool continuously, the battery can become hot. You can place your battery on the charger, but it will not charge until the temperature has reached an optimal level. Once the temperature has reached its optimal level, the battery will start its charging cycle automatically.

RECHARGING A COLD BATTERY

A battery that is too cold can be inserted into the charger, but charging will not start until the battery reaches the optimal temperature. When the battery is warm, the charge will start automatically.

REMINDER OF THE RULES FOR USING YOUR BATTERY

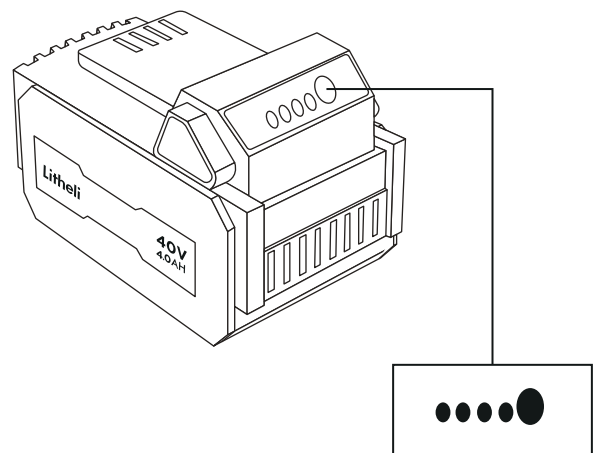
To ensure that the life of your battery is as long as possible, here are our tips:

Remove the battery from the charger when it is fully charged and ready for use.

For the storage of battery packs longer than 30 days:

1. Store the battery where the temperature is below 26°C and away from moisture.
2. Store the battery at 30% - 50% of its charge.
3. Every two months, recharge the battery to 30% - 50% of its capacity.

BEHAVIOUR OF THE LEDS ON THE BATTERY



LED status	Charging level
● ○ ○ ○	Charging level too low
● ● ○ ○	Between 5% and 50%.
● ● ● ○	Between 50% and 80%.
● ● ● ●	More than 80%.

RECYCLE THE BATTERY



The battery components contain toxic and corrosive elements, and should not be disposed of in the wild or with your household waste. To avoid any risk to the environment, here is the procedure to follow when disposing of your battery.

1. Cover the battery terminals with adhesive tape.
2. Do not attempt to disassemble or access battery components.
3. If a liquid leak is found, be aware that it is corrosive and toxic, so it is advisable to handle the battery with care (gloves).
4. Do not place the battery in regular household waste.
5. Do not incinerate the battery.
6. Dispose of batteries in an approved waste facility or recycling centre.



CONFORMITY

EC Declaration of Conformity

We hereby declare

THAT THE DEVICE DESCRIBED BELOW, IN VIEW OF ITS DESIGN AND CONSTRUCTION, AS WELL AS IN THE CONFIGURATION WE HAVE PUT INTO SERVICE, COMPLIES WITH THE BASIC HEALTH AND SAFETY REQUIREMENTS OF THE RELEVANT DIRECTIVES.

THIS DECLARATION IS INVALID IF THE DEVICE IS MODIFIED WITHOUT PRIOR AGREEMENT WITH US.

Machine description	Batterie 40V battery
Machine type	U1BY30100
Rated voltage	40 V

TECHNICAL SPECIFICATIONS

Battery reference	U1BY30100
Voltage	40V Li-Ion
Capacity	4.0 AH
Battery power	144 Wh
Weight	0.96 kg

WARRANTY

- Litheli warrants your device against defects in workmanship and materials for a period of 2 years from the date of purchase by the consumer.
- If a part is found to be defective during the warranty period, your sole and exclusive remedy shall be to repair or replace the defective part in accordance with the terms and conditions defined by Litheli after-sales service.
- The implementation of the Litheli warranty is carried out by replacing damaged parts, with round-trip costs to be borne by the buyer.
- This warranty does not apply in the event of abuse, mishandling or unauthorized repair. If the return of the defective product to our workshops is necessary, it will be assessed and you will be informed of the repairs to be carried out.
- Our devices are intended for private and personal use, use in a professional setting would automatically void all warranties.

LIST OF WARRANTY EXCLUSIONS

- Damage, breakdowns, failures or defects due to external causes,
- Failures resulting from changes in the construction and original characteristics of the device,
- Breakdowns affecting parts that do not comply with those recommended by the manufacturer,
- The settings accessible to the beneficiary without disassembling the device,
- The costs of commissioning, adjustment, cleaning and tests not resulting from guaranteed damage,
- Failure to comply with the manufacturer's instructions,
- Repairs and damages suffered by the device after a repair carried out by anyone other than a repairer of our workshops, or without our prior agreement,
- Temporary repairs as well as the consequences of any aggravation of the resulting damage,
- Damage due to corrosion, oxidation, improper connection,
- The replacement of missing / damaged parts upon receipt, not indicated on the delivery note,
- Replacement of worn parts.

Warranty

Litheli WARRANTY POLICY FOR 40V SERIES PRODUCT

- For Litheli 40V SERIES products (bare tool only) used for personal and household purposes, 3-year limited standard warranty + 2-year limited extended warranty available upon product registration;
- For Litheli 40V SERIES battery packs and chargers used for personal and household purposes, 1-year limited standard warranty + 2-year limited extended warranty available upon product registration;

NOTICE: Litheli offers a Warranty Extension Service for 40V SERIES products. Litheli 40V SERIES product Warranty Extension is available only upon product registration. Register your 40V SERIES product on Litheli OFFICIAL website to activate a 2-year limited extended warranty.

Please contact Litheli customer service at service@litheli.com any time you have questions or warranty claims.

LIMITED WARRANTY SERVICE

FOR FIVE (2-year extended warranty included) YEARS from the date of original retail purchase, this Litheli product (battery not included) is warranted against defects in material or workmanship.

FOR THREE (2-year extended warranty included) YEARS from the date of original retail purchase, the Litheli battery pack and charger are warranted against defects in material or workmanship.

Defective product will receive free repair or be exchanged.

1. This warranty applies only to the original purchaser from an authorized Litheli shop and may not be transferred.
2. This warranty only covers Litheli products, battery packs and chargers used for residential purposes.
3. This warranty does not cover the consumables, such as, but not limited to, wheels, blades, trimmer heads, spools, guide bars, saw chains, nozzles, filters, augers and straps.
4. This warranty does not cover the damage resulting from modification, alteration or unauthorized repair.
5. This warranty only covers defects arising under normal usage and does not cover any malfunction, failure or defect resulting from misuse, abuse (including overloading of the product beyond capacity, and immersion in water or other liquid), accidents, neglect, lack of proper installation, improper maintenance or storage.
6. This warranty does not cover normal deterioration of the exterior finish, including but not limited to scratches, dents, paint chips, and any corrosion or discoloring by heat and abrasive or chemical cleaners.
7. This warranty does not require Litheli to repair or replace a Litheli lithium-ion battery/ies if the battery/ies present/s shortened runtime/working hour, reduced capacity, and/or weakened performance due to normal chemical age.

PRODUCT REGISTRATION

Please register your Litheli product at [Litheli OFFICIAL website](#).

For better warranty services, we recommend that you register the product within 30 days from the date of the original retail purchase.

WARRANTY CLAIM

For warranty claims, please contact Litheli customer service. You will need to submit a registration document or proof of purchase in the form of a valid receipt that displays date and place of purchase. Replacement tools do not come with a new warranty. The warranty of the products will continue from the date of the original purchase.

Litheli

Facebook



Litheli

Twitter



Litheli

Instagram



Litheli

WWW.LITHELI.COM