

Important Safety Instructions

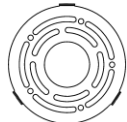
1. We recommend installation by a licensed electrician. Please install in accordance with National Electric Code (NEC) and applicable codes and ordinances.
2. When you remove fixture, do not pick up using wire as a faulty electrical connection may result.
3. Please take a moment to locate and identify all hardware and components. Do not discard package until all parts are identified and fixture is installed.
4. As you unpack, place contents on a carpeted/padded area to protect from damage.
5. To reduce risk of injury, always turn off and allow a fixture to cool before replacing light bulb.
6. Do not touch bulb when fixture is on or look directly at lit bulb.
7. To avoid risk of fire, do not exceed recommended wattage.

Manufacturer No.
60127

Bulb Type
Medium base E26 – Qty. 1
Rating Label

CAUTION - RISK OF FIRE, USE MAX 7W LED TYPE PAR16 

Hardware & Components



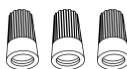
3-hole crossbar
(A)



1" screws
(B)



0.5" flat head
screws
(C)



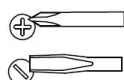
wire connectors
(D)



PAR16 bulb
(pre-installed)
(H)

* - See backplate for required electrical ratings and use markings.

Tools Required



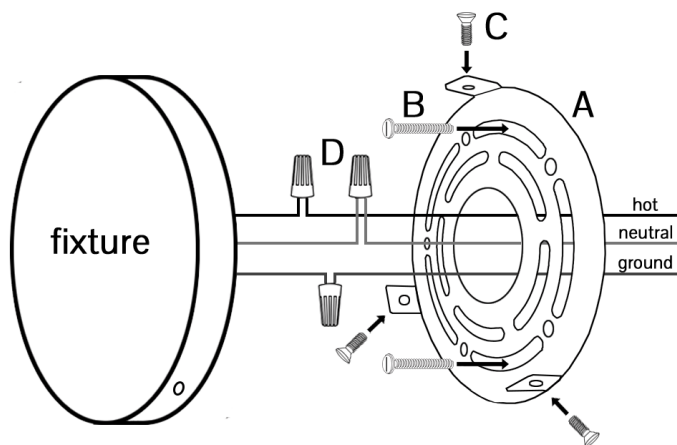
screwdriver



wire stripper

Assembly

BEFORE ANY WORK IS COMPLETED, ENSURE POWER SUPPLY TO JUNCTION BOX IS TURNED OFF!



1. Place crossbar (A) over junction box and align with holes in junction box and secure with two 1.5" screws (B) using screwdriver.
2. Lift fixture into position to begin wiring.
3. Attach white "neutral" fixture wire to "neutral" junction box wire (usually white) via wire connector (D), and attach black "hot" fixture wire to "hot" junction box wire (usually black) via wire connector (D).
4. Attach metal "ground" fixture wire to "ground" junction box wire (usually green) via wire connector (D).
5. Push wires into junction box, and place fixture backplate over crossbar aligning side holes on backplate with holes in crossbar tabs.
6. Use three flat head screws (C) to secure fixture to crossbar and wall.
7. This fixture may include a pre-installed bulb. If bulb is not installed, insert and rotate bulb into place. Turn on power to check bulb comes on.

Your installation is complete.