

OpenAir® GVD/GKD Series Electronic Damper Actuators for UL Listed Fire/Smoke and Smoke Control Dampers 2-Position, 30-second Run Time, 15-second Spring Return Time

Product Number	Operating Voltage			3-ft Plenum Cable	EFL Capability	Two Fixed Auxiliary Switches
	24 Vac ± 20%	120 Vac ± 10%	230 Vac ± 10%			
GxD121.1U	•			•	•	
GxD126.1U	•			•	•	•
GxD221.1U		•		•	•	
GxD226.1U		•		•	•	•
GxD321.1U			•	•	•	
GxD326.1U			•	•	•	•

Technical Data

Running Torque:	80 lb-in GKD (9 Nm) (minimum) 200 lb-in GVD (23 Nm) (minimum)
Stall Torque:	130 lb-in GKD (14.6 Nm) (minimum) 280 lb-in GVD (32 Nm) (minimum)
Run time for 90°:	30 seconds (nominal)
Spring Return:	15 seconds (maximum)
Nominal angle of rotation:	95°
Operating voltage:	24 Vac ±20% 120 Vac ±10%/ 230 Vac ±10%

CAUTION:

Continuous use at voltages above the recommended tolerances may damage the actuator.

Power Consumption:	GKD (80 lb/in) Run/Hold	GVD (200 lb-in) Run/Hold
GxD12x.1U	26 VA/8 VA	35 VA/9 VA
GxD22x.1U	26 VA/8 VA	35 VA/9 VA
GxD32x.1U	26 VA/8 VA	35 VA/9 VA
Damper shaft size:	1/2-inch (12,7 mm) to 1" (25 mm) round	
Damper shaft length, minimum:	3-inch (76.2 mm)	
Agency listings:	UL60730, cUL CSA 60730 CE conformity for Residential, Commercial, and Industrial environments. Australian RCM conformity	
Ambient temperature, operating:	0°F to 140°F (-18°C to 60°C), 350°F (177°C) one time per UL555S	
Ambient temperature, storage/transport:	-40°F to 158°F (-40°C to 70°C)	
Ambient humidity (non-condensing):	Maximum 95% rh non-condensing	
Plenum-rated cable:	400°F (200°C)	
Enclosure:	NEMA 1/IP40	
Housing material:	Plenum-rated plastic	
Pre-cabled connection:	3 ft (0.9m) 19/30 strand 18 GA	
Dimensions	10.7" H x 3.4" W x 3.8" D (272.8 mm H x 101.5 mm W x 96.4 mm D)	
Weight:	~4 lbs. (1.8 kg)	
Country of Origin	USA	

Description

The OpenAir direct-coupled, 2-position, spring return electronic damper actuators are UL listed for smoke control dampers or for combination fire/smoke rated dampers. Actuators are designed to operate reliably in smoke control systems requiring Underwriter's Laboratories, Inc. UL555/555S rating when tested as an assembly with the damper and will meet requirements of UBC for 30-second opening and 15-second closing at 350°F (177°C).



Features

- Optional built-in auxiliary switches with fixed switch points at 5° and 85° rotation.
- Built-in Electronic Fusible Link (EFL) capability with four temperature ratings; 165°F, 212°F, 250°F, and 350°F
- Reversible, fail-safe spring return
- Plenum-rated
- Pre-cabled
- 30-second operation at rated torque, temperature, and voltage
- Fixed Dual End Switches
24 Vdc, 24 Vac to 250 Vac
6A resistive
2FLA/12 LRA
SPST
Fixed 5° and 85°

Accessories

Electronic Fusible Link (24 Vac)

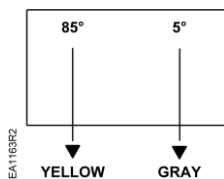
ASK791.165	165°F (74°C)
ASK791.212	212°F (100°F)
ASK791.250	250°F (121°C)
ASK791.350	350°F (177°C)

Maintenance



CAUTION:

The GVD/GKD actuators do not require any periodic cycling to function properly as an integral part of an active smoke control damper system. **The National Fire Alarm Code NFPA 72 states that all life safety systems are to be functionally checked at least annually.** Check the smoke control damper/actuator every time you functionally check your smoke detectors, emergency lights, and/or power generators for operation.



NOTE:

Both sets of contacts are open when the actuator is between 5° and 85°

Switch	Wire Color	Switch Makes	Switch Breaks
5°	Gray	< 5°	> 5°
85°	Yellow	> 85°	< 85°

Wiring Diagrams

NOTE: Actuators may be connected in parallel. Power consumption must be observed.

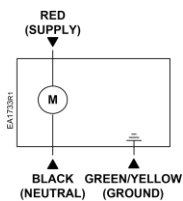


Figure 1.
24 Vac.

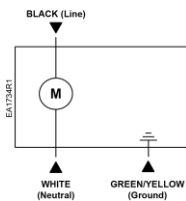


Figure 2
120 Vac.

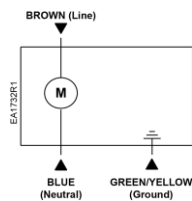


Figure 3.
230 Vac.

Electronic Fusible Link

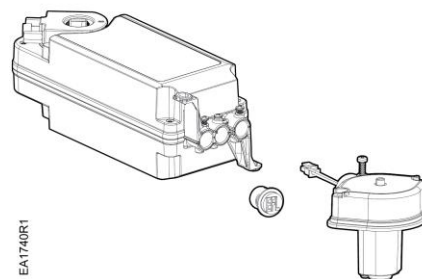


Figure 4. GVD/GKD Actuator and EFL.

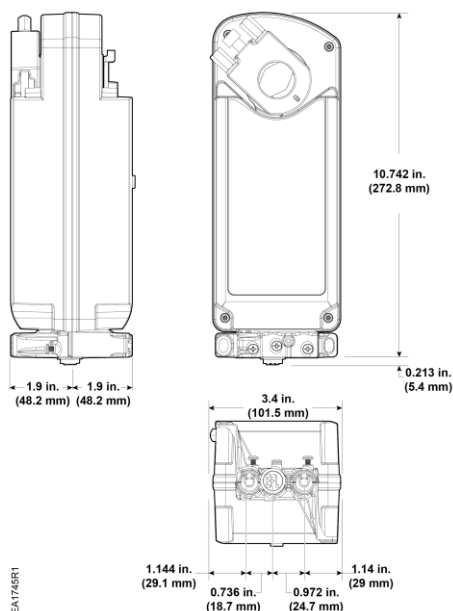


Figure 5. GVD/GKD Series Damper Actuator and Mounting Bracket Dimensions in Inches (Millimeters).

Information in this publication is based on current specifications. The company reserves the right to make changes in specifications and models as design improvements are introduced. OpenAir is a registered trademark of Siemens Schweiz AG. Other product or company names mentioned herein may be the trademarks of their respective owners. © 2020 Siemens Industry, Inc.