

Type: RTR-E 6705

Article No: 111170951100 (*)

Description: Heat/Cool 5...60°C

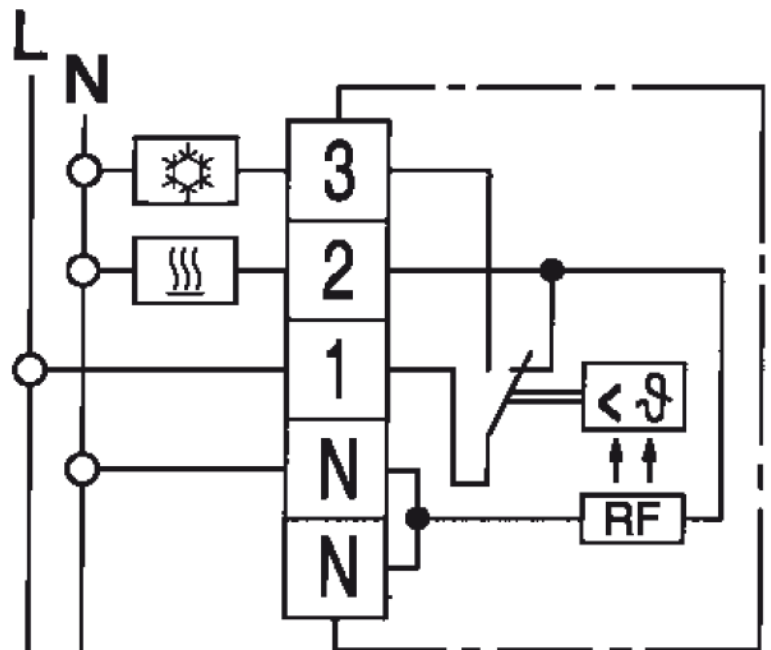
Application: 1 Heat / 1 Cool SPDT

Power Supply: 230 Volts AC 50/60Hz

Outputs: SPDT, 10(4) Heating, 5(2)Amps Cooling (+)

Temperature Range Setting: 5...60°C

Sensing: Bimetal



* Article No will fast track replacement part delivery
+ 10 Amps Resistive Load (Heater) 4 Amps Inductive Load (Motor)

