



## FR-02

## RELAY MODULE

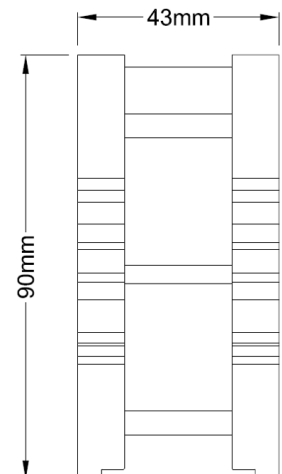
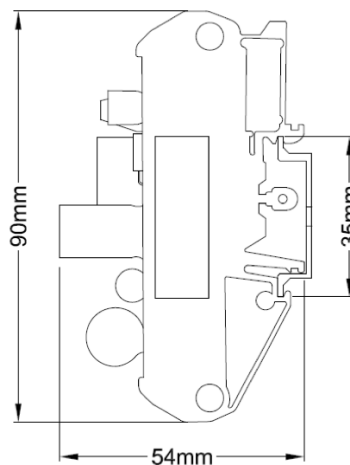
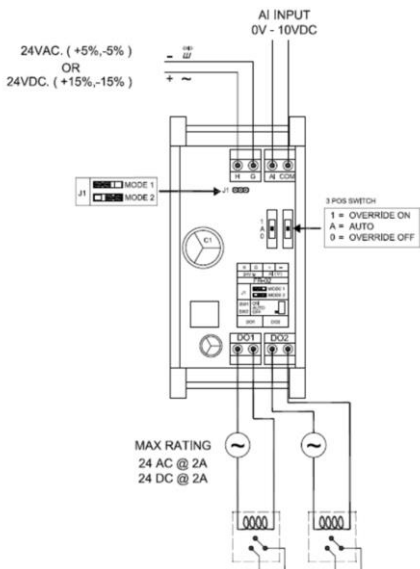
### DESCRIPTION

The FR-02 is a relay module which can be mounted on dinrail. It allows 1 x AO coming from a controller to provide floating control via two built-in relays. The modes 1 or 2 are selected by a jumper on the FR-02. Relays rated for 5 million cycles.

### FEATURES

WARNING: Class 2 Devices Wiring Only – Do Not Reclassify and Install as Class 1, 3 or Power and Lighting Wiring

DO1 ~ DO2 is a voltage free contact. External power source is needed either 24 Vac or 24 Vdc.



## TECHNICAL DATA

ITEM	DESCRIPTION
Supply Voltage	24Vac +/- 5% or 24Vdc +15% / -15%
Power Consumption	20VA or 15VA for Vdc, Class 2
Analog Input	Voltage 0-10Vdc Class 2
Digital Outputs	24Vac / Vdc 2A ( 48VA ) ( SPST NO dry contact )
DO NOT MOUNT	<ul style="list-style-type: none"> <li>• In an area where excessive moisture, corrosive fumes or explosion vapours are present</li> <li>• Where excessive vibration or shocks are likely to occur</li> <li>• On a location with excessive electrical noise, such as magnetic interference or variable speed modules</li> </ul>

## MODE 1 ( FLOATING MODE )

Stage	Min Volt	Max Volt	Optimum Volt	DO 1 State	DO 2 State
1	0.00	1.00	0.00	OFF	OFF
2	1.10	5.00	3.00	ON	OFF
3	5.10	6.00	5.50	OFF	OFF
4	6.10	10.00	8.00	OFF	ON

## MODE 2 ( STAGING MODE )

Stage	Min Volt	Max Volt	Optimum Volt	DO 1 State	DO 2 State
1	0.00	1.00	0.00	OFF	OFF
2	1.10	5.00	3.00	ON	OFF
3	5.10	6.00	5.50	OFF	OFF
4	6.10	10.00	8.00	OFF	ON

8 Hope St, Melrose Park, NSW 2114  
(02) 9804 6366 | sales@regulatoraustralia.com.au

regulatorautomation.com.au

© Copyright Regulator Australia Pty Ltd. Due to our policy of continuous striving towards manufacturing excellence and design development, we reserve the right to change details or specifications without notice. While every effort is made to ensure accuracy at the time of publication, we shall not be held liable for any errors or omissions, implied or otherwise.

