

**Type: KLR-E 7007**

**Article No: 111770791100 (\*)**

**Description: Manual Change Heat/Cool/Fan with On/Off and Continuous/Auto Fan**

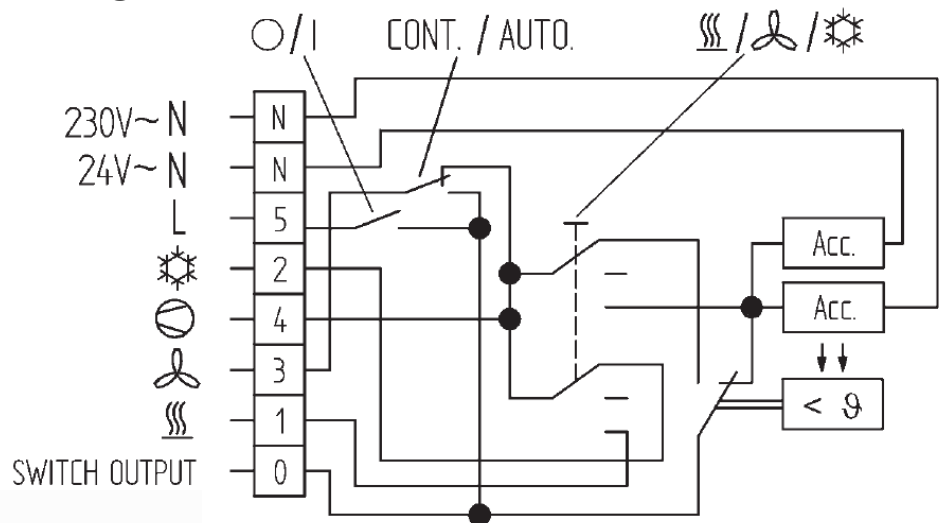
**Application: 1 Heat / 1 Cool (4 Pipe), Cool + Electric Heat or Heat Pump Dual Voltage**

**Power Supply: 24 or 230 Volts AC 50/60Hz**

**Outputs: SPDT 6(3)Amps (+)**

**Temperature Range Setting: 5...30°C**

**Sensing: Bimetal**



\* Article No will fast track replacement part delivery  
+ 10 Amps Resistive Load (Heater) 4 Amps Inductive Load (Motor)

**Invensys Controls Australia Pty Limited**

115-121 Ballandella Road, Pendle Hill NSW 2145 Australia or P.O. Box 63

Wentworthville NSW 2145 Australia

T: +61(0)2 9631 7999 F: +61(0)2 9896 3595 [www.invensyscontrols.com](http://www.invensyscontrols.com)

**Type: KLR-E 7012**

**Article No: 111771251100 (\*)**

**Description: Manual Change Heat/Cool with On/Off and 3 Speed Fan**

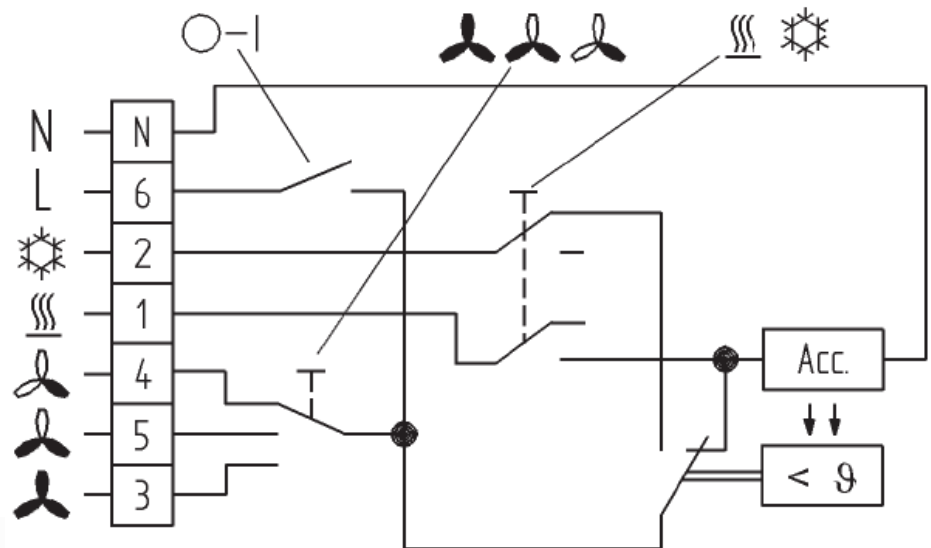
**Application: 1 Heat / 1 Cool (4 Pipe) or Cool + Electric Heat**

**Power Supply: 230 Volts AC 50/60Hz**

**Outputs: SPDT 6(3)Amps (+)**

**Temperature Range Setting: 5...30°C**

**Sensing: Bimetal**



\* Article No will fast track replacement part delivery  
+ 6 Amps Resistive Load (Heater) 3 Amps Inductive Load (Motor)

**Invensys Controls Australia Pty Limited**

115-121 Ballandella Road, Pendle Hill NSW 2145 Australia or P.O. Box 63

Wentworthville NSW 2145 Australia

T: +61(0)2 9631 7999 F: +61(0)2 9896 3595 [www.invensyscontrols.com](http://www.invensyscontrols.com)

**Type: KLR-E 7019**

**Article No: 111701951100 (\*)**

**Description: Cool Only, On/Off and 3 Speed Fan**

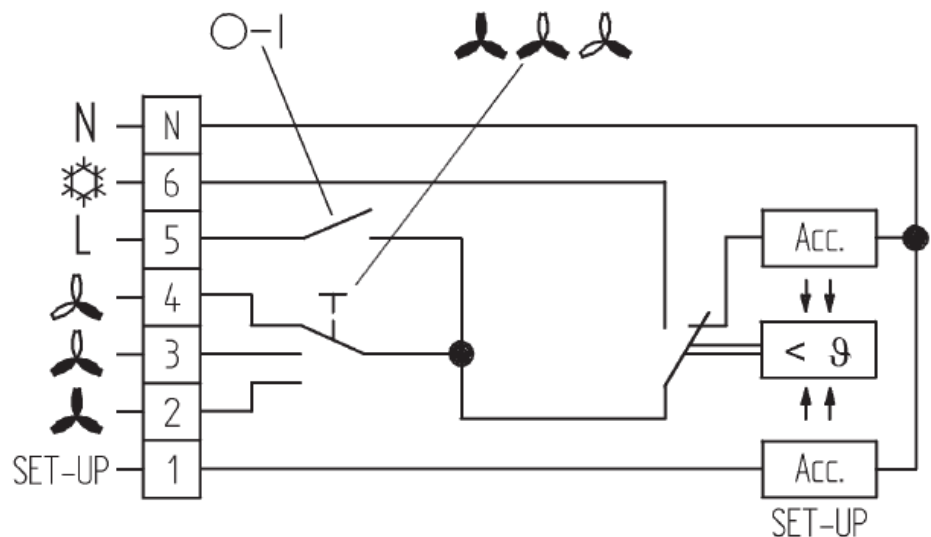
**Application: Cooling Only**

**Power Supply: 230 Volts AC 50/60Hz**

**Outputs: SPDT 6(3)Amps (+)**

**Temperature Range Setting: 5...30°C**

**Sensing: Bimetal**



\* Article No will fast track replacement part delivery  
+ 6 Amps Resistive Load (Heater) 3 Amps Inductive Load (Motor)

**Invensys Controls Australia Pty Limited**

115-121 Ballandella Road, Pendle Hill NSW 2145 Australia or P.O. Box 63

Wentworthville NSW 2145 Australia

T: +61(0)2 9631 7999 F: +61(0)2 9896 3595 [www.invensyscontrols.com](http://www.invensyscontrols.com)

**Type: KLR-E 7202**

**Article No: 517720251100 (\*)**

**Description: Auto Change Heat/Cool with On/Off**

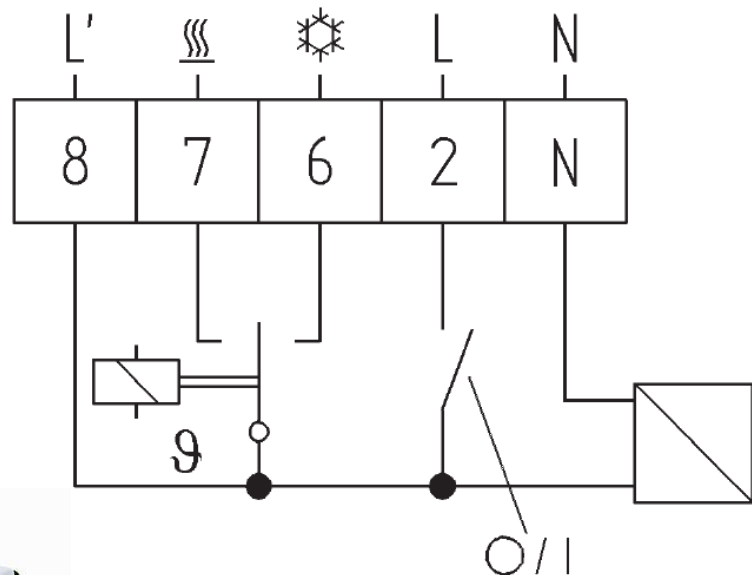
**Application: 1 Heat / 1 Cool (4 Pipe)**

**Power Supply: 230 Volts AC 50Hz**

**Outputs: SPDT with Neutral Zone 10(4)Amps Heat/Cool (+)**

**Temperature Range Setting: 5...30°C**

**Sensing: NTC Internal**



\* Article No will fast track replacement part delivery  
+ 10 Amps Resistive Load (Heater) 4 Amps Inductive Load (Motor)

**Invensys Controls Australia Pty Limited**

115-121 Ballandella Road, Pendle Hill NSW 2145 Australia or P.O. Box 63

Wentworthville NSW 2145 Australia

T: +61(0)2 9631 7999 F: +61(0)2 9896 3595 [www.invensyscontrols.com](http://www.invensyscontrols.com)

**Type: KLR-E 7203**

**Article No: 517720351100 (\*)**

**Description: Auto Change Heat/Cool with On/Off and 3 Speed Fan**

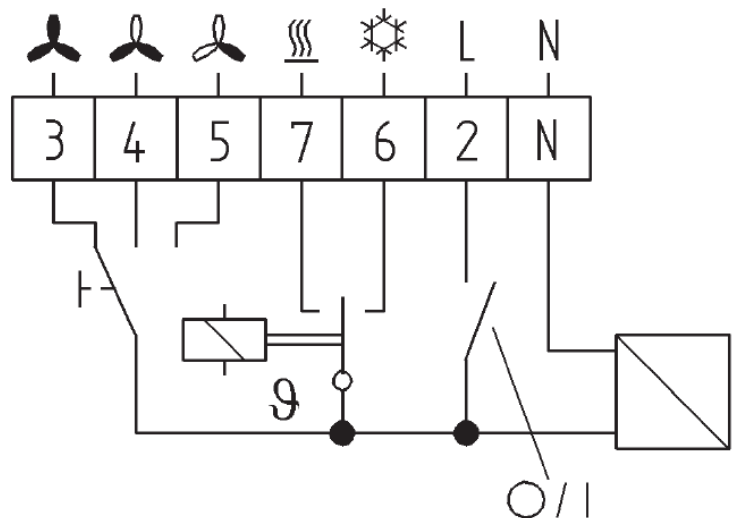
**Application: 1 Heat / 1 Cool (4 Pipe)**

**Power Supply: 230 Volts AC 50Hz**

**Outputs: SPDT with Neutral Zone 10(4)Amps Heat/Cool ,  
6(3)Amps Fan (+)**

**Temperature Range Setting: 5...30°C**

**Sensing: NTC Internal**



\* Article No will fast track replacement part delivery  
+ 10 Amps Resistive Load (Heater) 4 Amps Inductive Load (Motor)

**Invensys Controls Australia Pty Limited**

115-121 Ballandella Road, Pendle Hill NSW 2145 Australia or P.O. Box 63

Wentworthville NSW 2145 Australia

T: +61(0)2 9631 7999 F: +61(0)2 9896 3595 [www.invensyscontrols.com](http://www.invensyscontrols.com)

**Type: KLR-E 7603**

**Article No: 517724151100 (\*)**

**Description: Auto Change Heat/Cool**

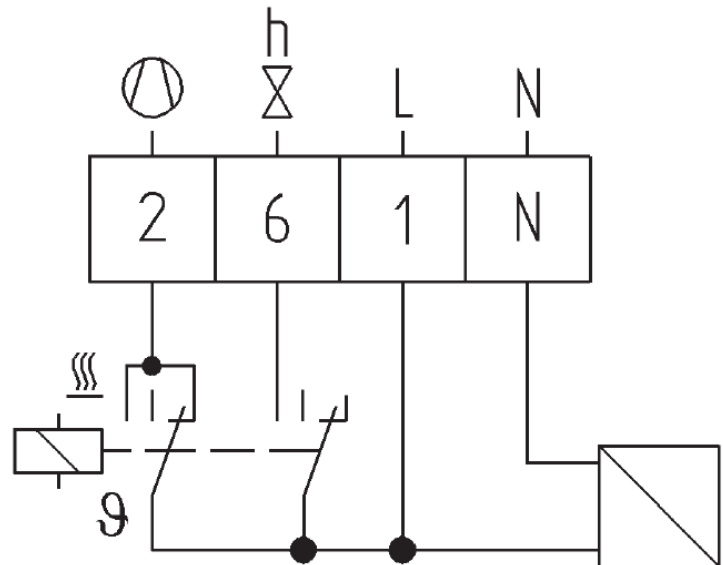
**Application: Heat pump (Compressor & Reversing Valve)**

**Power Supply: 230 Volts AC 50Hz**

**Outputs: SPDT with Neutral Zone 10(4)Amps(+)**

**Temperature Range Setting: 5...30°C**

**Sensing: NTC Internal**



\* Article No will fast track replacement part delivery  
+ 10 Amps Resistive Load (Heater) 4 Amps Inductive Load (Motor)

**Invensys Controls Australia Pty Limited**

115-121 Ballandella Road, Pendle Hill NSW 2145 Australia or P.O. Box 63

Wentworthville NSW 2145 Australia

T: +61(0)2 9631 7999 F: +61(0)2 9896 3595 [www.invensyscontrols.com](http://www.invensyscontrols.com)

**Type: KLR-E 7611**

**Article No: 517724351100 (\*)**

**Description: Auto Change Heat/Cool with On/Off**

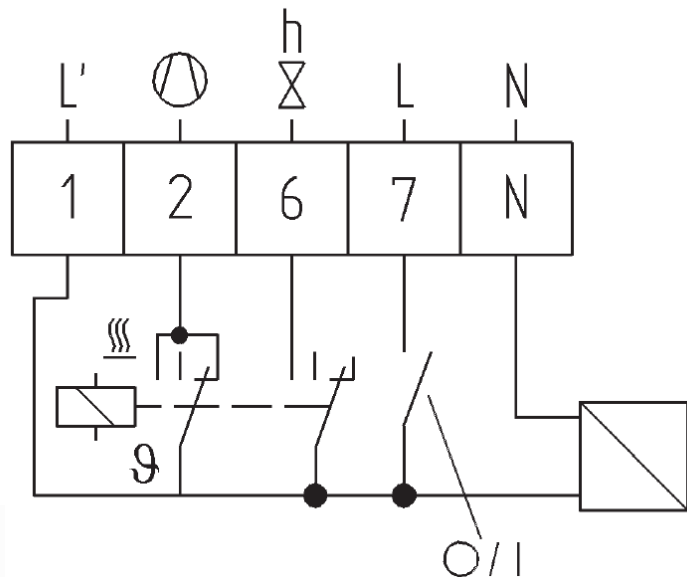
**Application: Heat pump (Compressor & Reversing Valve)**

**Power Supply: 230 Volts AC 50Hz**

**Outputs: SPDT with Neutral Zone 10(4)Amps(+)**

**Temperature Range Setting: 5...30°C**

**Sensing: NTC Internal**



\* Article No will fast track replacement part delivery  
+ 10 Amps Resistive Load (Heater) 4 Amps Inductive Load (Motor)

**Invensys Controls Australia Pty Limited**

115-121 Ballandella Road, Pendle Hill NSW 2145 Australia or P.O. Box 63

Wentworthville NSW 2145 Australia

T: +61(0)2 9631 7999 F: +61(0)2 9896 3595 [www.invensyscontrols.com](http://www.invensyscontrols.com)

**Type: KLR-E 525 52 hp**

**Article No: 517724051100 (\*)**

**Description: Auto Change Heat/Cool with On/Off and 3 Speed Fan**

**Application: Heat pump (Compressor & Reversing Valve)**

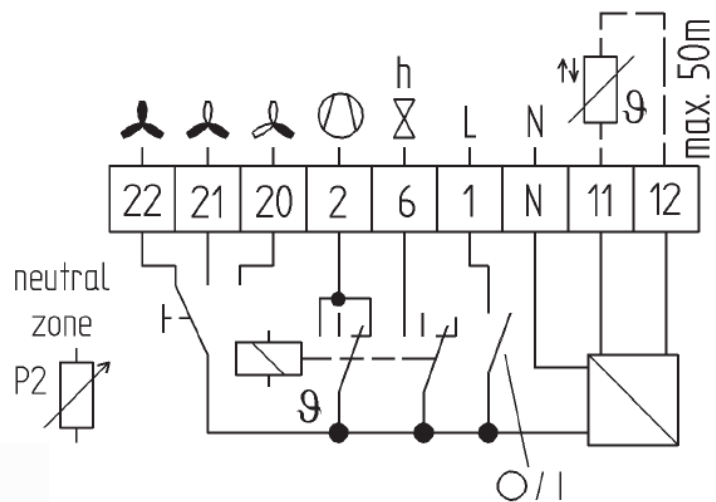
**Power Supply: 230 Volts AC 50Hz**

**Outputs: SPDT with Neutral Zone 10(4)Amps Heat/Cool and 6(3)Amps Fan (+)**

**Temperature Range Setting: 5...30°C**

**Sensing: NTC Internal**

**(NTC External Optional)**



\* Article No will fast track replacement part delivery  
+ 10 Amps Resistive Load (Heater) 4 Amps Inductive Load (Motor)

**Invensys Controls Australia Pty Limited**

115-121 Ballandella Road, Pendle Hill NSW 2145 Australia or P.O. Box 63

Wentworthville NSW 2145 Australia

T: +61(0)2 9631 7999 F: +61(0)2 9896 3595 [www.invensyscontrols.com](http://www.invensyscontrols.com)