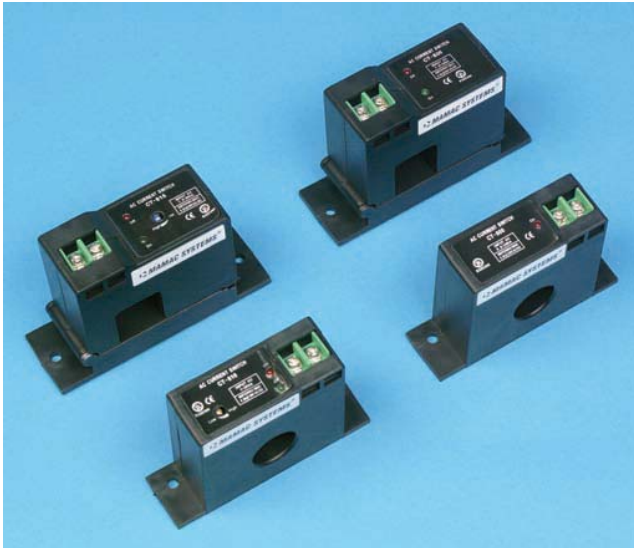




# Current Switches

## Model CT-800/805/810/815



- Available in two transformer core configurations: solid or split-core for ease of installation.
- Two trip set point options are available: fixed or adjustable.
- LED indication for load status and current flow.
- Switch output is rated for up to 135 VAC/VDC.
- UL listed and CE certified.

CT-800 series Current Switches provide a reliable and low cost solution to monitor status of supply/exhaust fans, pumps, compressors, unit ventilators, lighting or any other equipment consuming current.

CT-800 solid-core and CT-805 split-core have a fixed set point and will switch on if the load/current exceeds 0.5 Amp. The fixed set point can be lowered to 0.250 Amp with two turns through the C.T. or 0.125 Amp with four turns. CT-810 solid-core and CT-815 split-core have an adjustable set point of 1 to 200 Amps. Trip set point can be easily field adjusted by turning a trimmer. LED indication is provided to show status.

All 800 series Current Switches are rated to switch up to 1.0 Amp @ 35 VAC/VDC or 0.35 Amp @ 135 VAC/VDC eliminating the need and expense of an in line relay or load interlock. 5 year warranty, UL listed, CE certified and the lowest cost in the industry are some of the features which make the 800 series an ideal solution for load status monitoring and alarming functions.



8189 Century Boulevard • Minneapolis, MN 55317-8002 • USA  
800-843-5116 • 952-556-4900 • Fax 952-556-4997  
sales@mamacsys.com • www.mamacsys.com

Baird House, Units 6&7  
Pensnett Estate • Kingswinford  
West Midlands • DY6 7YA • United Kingdom  
01384-271113 • Fax 01384-271114

4 Armingier Court, Unit 2  
Holden Hill • S.A. 5088 • Australia  
08-8395-4333 • Fax 08-8395-4433

155 McIntosh Drive, Units 5&6 • Markham  
Ontario • L3R 0N6 • Canada  
905-474-9215 • Fax 905-474-0876

No. 22 Lorong 21A Geylang # 11-02  
Prosper Industrial Building  
Singapore • 388421  
656-3927273 • Fax 656-3927276

## SPECIFICATIONS:

**Supply Voltage:** Self-Powered

**Isolation Voltage:** 1000 VAC

**Frequency Range:** 45/65 Hz

**Operating Temp:** 32°-158°F (0-70°C)

**Environmental:** 10-90% RH, Non-Condensing

**Termination:** Terminal Block 14 Ga max

**Agency Approvals:** UL listed, CE certified

**Fixed Set Point:** 0.5 Amp

**Adjustable Set Point:** 1.0 to 200 Amps

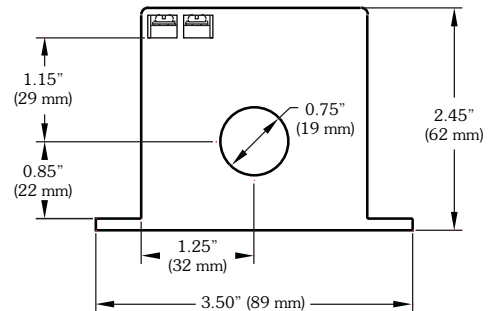
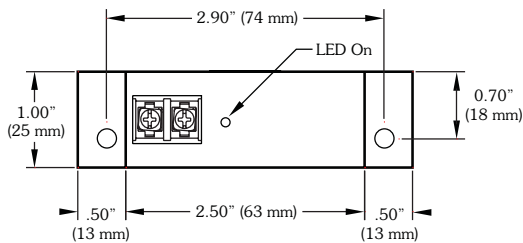
**Max. Switching Current:** 1.0 Amp @ 35 VAC/VDC  
0.35 Amp @ 135 VAC/VDC

**Housing:** UL 94-V-0 Flame retardant ABS Plastic

## ORDERING INFORMATION:

Model	Description
CT-800	Solid-core fixed set point
CT-805	Split-core fixed set point
CT-810	Solid-core adjustable set point
CT-815	Split-core adjustable set point

### CT-800 / CT-810



### CT-805 / CT-815

