

## Features & Options

- Prevents Tampering, Damage and Unauthorized Adjustment
- Exceptional Airflow for Proper Thermostat Operation
- Made from Thick, Durable Polycarbonate
- Low Profile Design with Two Sizes to Fit Most Thermostats

The BAPI-Guard prevents tampering, physical damage and unauthorized adjustment of thermostats. The attractive design is available in two sizes to fit most thermostats. It is made of thick, durable polycarbonate and features exceptional airflow, key lock protection, horizontal or vertical mounting.

## ORDERING INFORMATION

### BA/BG

Large BAPI-Guard Thermostat Protector

### BA/BG2

Small BAPI-Guard Thermostat Protector

### BA/KEY16187

Replacement Key for BAPI-Guard & BAPI-Guard 2



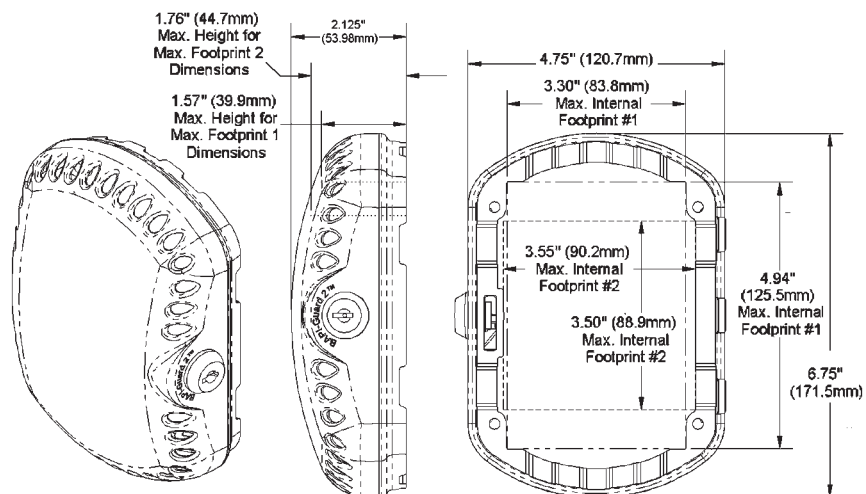
**BAPI-Guard 2 Mounted Over a BAPI-Stat "Quantum" Sensor**

## Specifications

**Material:** Polycarbonate

**Material Rating:** UL 94, V-0

**BAPI-Guard 2**



**BAPI-Guard**

