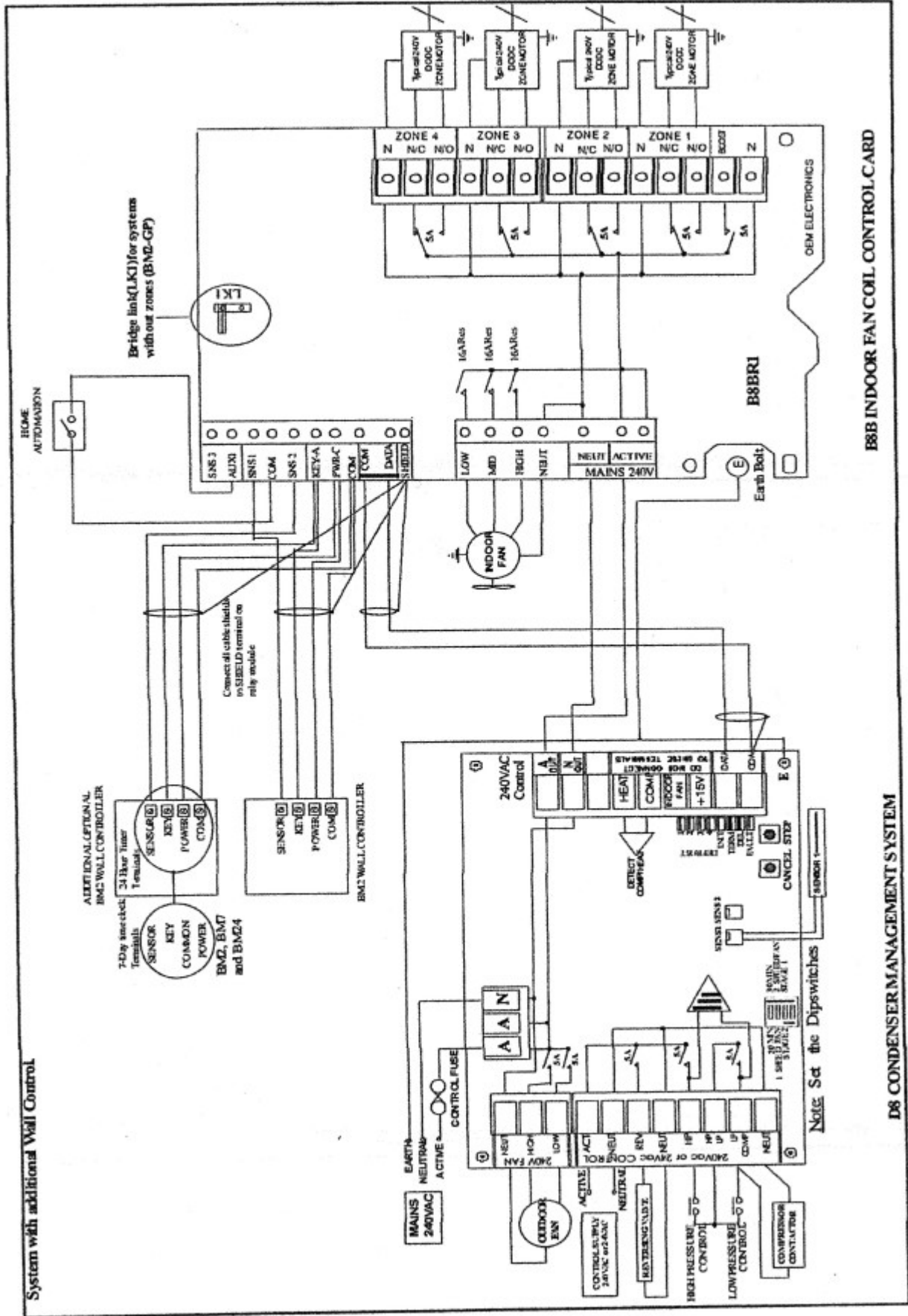


System with additional Wall Control



B8B INDOOR FAN COIL CONTROL CARD

D8 CONDENSER MANAGEMENT SYSTEM