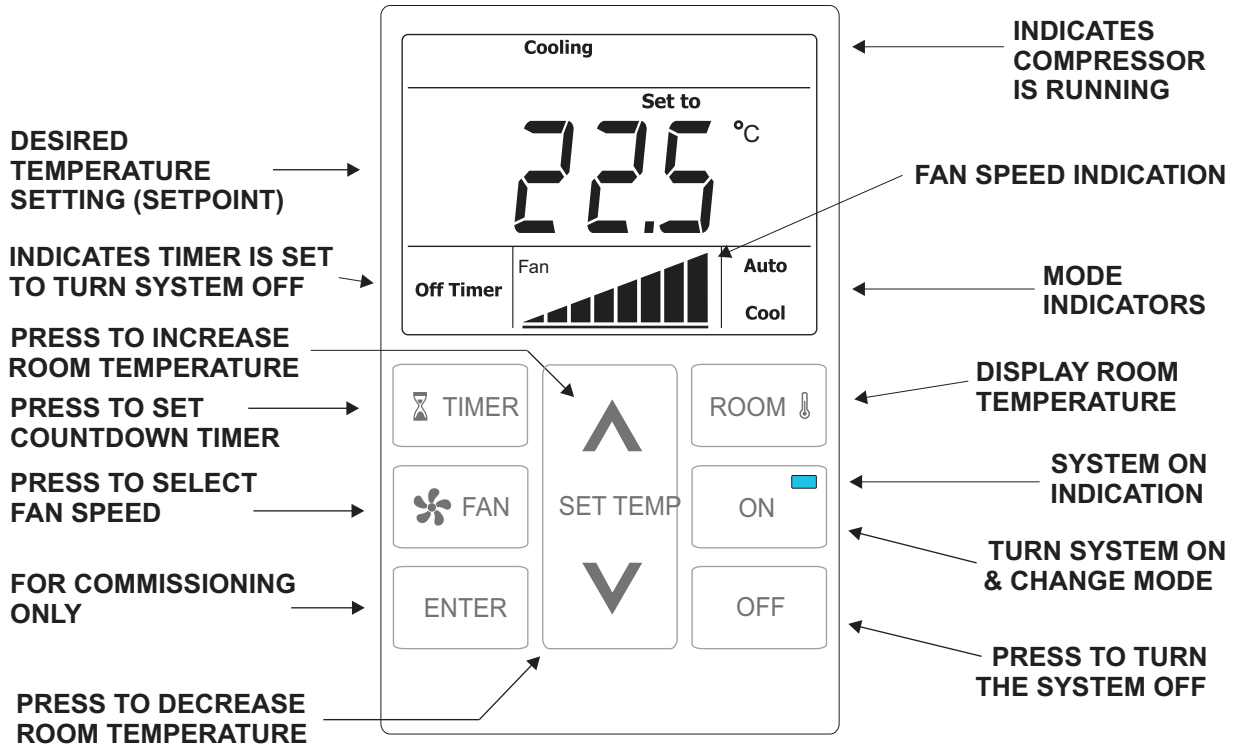


# B75 DOMESTIC TEMPERATURE CONTROL

## Operating Instructions



### B75 Wall Control

Press "ON" repeatedly to select "AUTO" mode, "HEAT" only mode or "COOL" only mode.

"Off Timer" - If the system is ON, it turns OFF after the set period (i.e. sleep timer).

"On Timer" - If the system is OFF, it will turn ON after the set period (adjustable 30 min - 24 Hr).

Press "FAN" repeatedly to select LOW, MID, HIGH, CONT LOW, CONT MID, CONT HIGH, LOW, etc. CONT means continuous fan, usually used in COOL mode.

With the system OFF Press "FAN" to select VENTILATION mode. Press "OFF" to stop the fan.

Room Temp Display will show "Err" for a faulty sensor.

SPECIFICATIONS	
Mains Power Supply	240 Volts 50Hz
Relays: Five volt free contacts (3 Speed Fan, Heat, Cool)	16 amps Res @ 250vac
Set point default operating range (field adjustable)	16oC to 28oC
Dead band default. From Heating off to Cooling on (field adjustable)	1.5oC
Default Switching differential (field adjustable)	0.5oC
Default Fan Run-On - Electric heating only (field adjustable)	60 secs
Volt free auxiliary input supplied by others for remote start and stop	
On Board Sensor (KT103), Remote Sensors Optional	10K @ 25oC



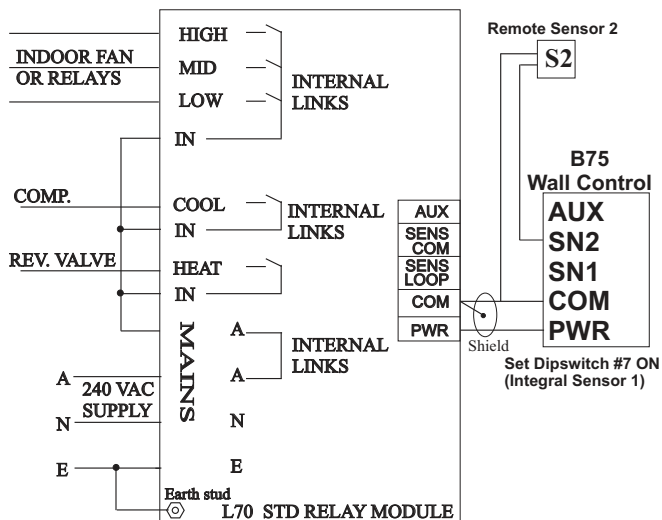
INSTALLER:	COMPANY:	TELEPHONE:
------------	----------	------------



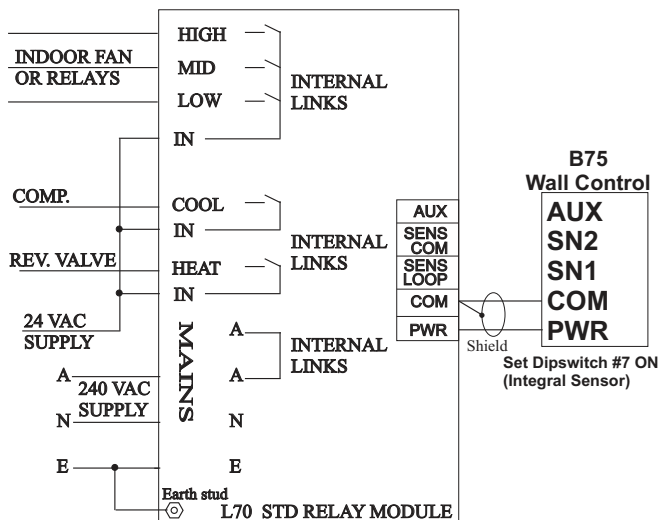
# B75 Installation Instructions cont.

Typical wiring connections. Check Unit wiring diagrams and DIP Switch selection on Wall Control Pad

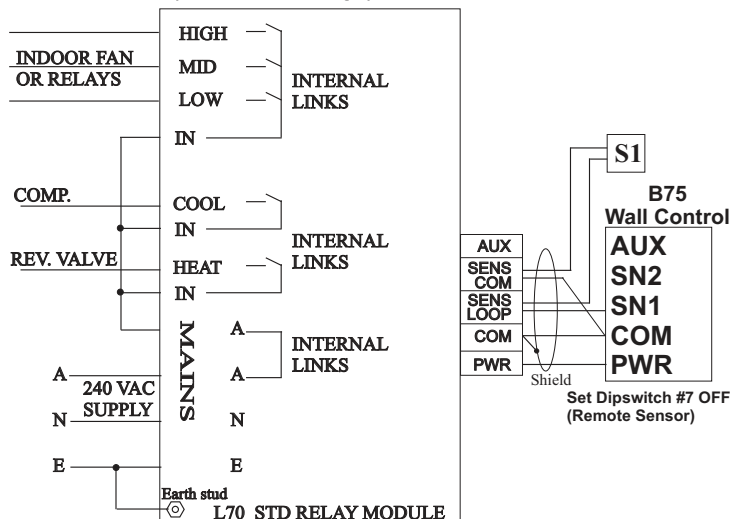
Reverse cycle air conditioning system. 2 Sensors will average.



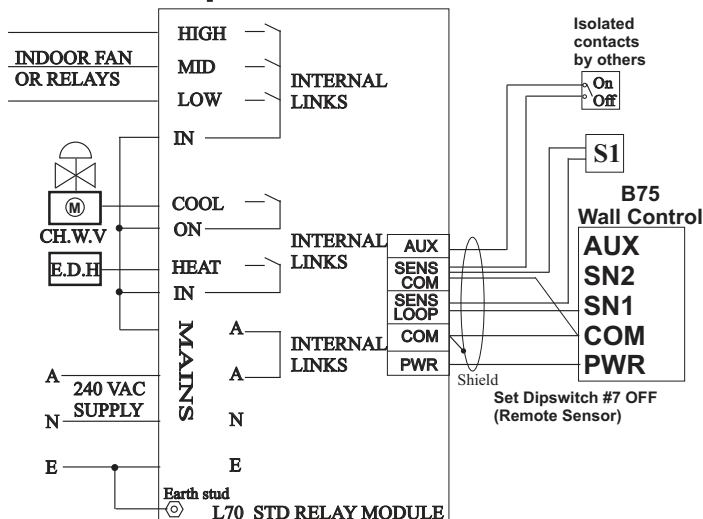
Reverse cycle air conditioning system. 24 vac control system



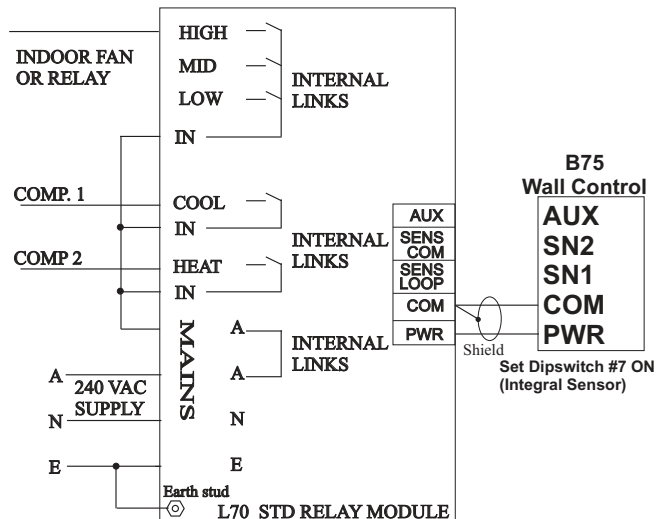
Reverse cycle air conditioning system. Remote sensor.



Chilled water valve and electric duct heater. Remote stop/start and remote sensor



Two stage cooling. Single speed fan. Cool/Elec or Heatpump



Two stage heating. 3 speed fan. Cool/Elec or Heatpump

