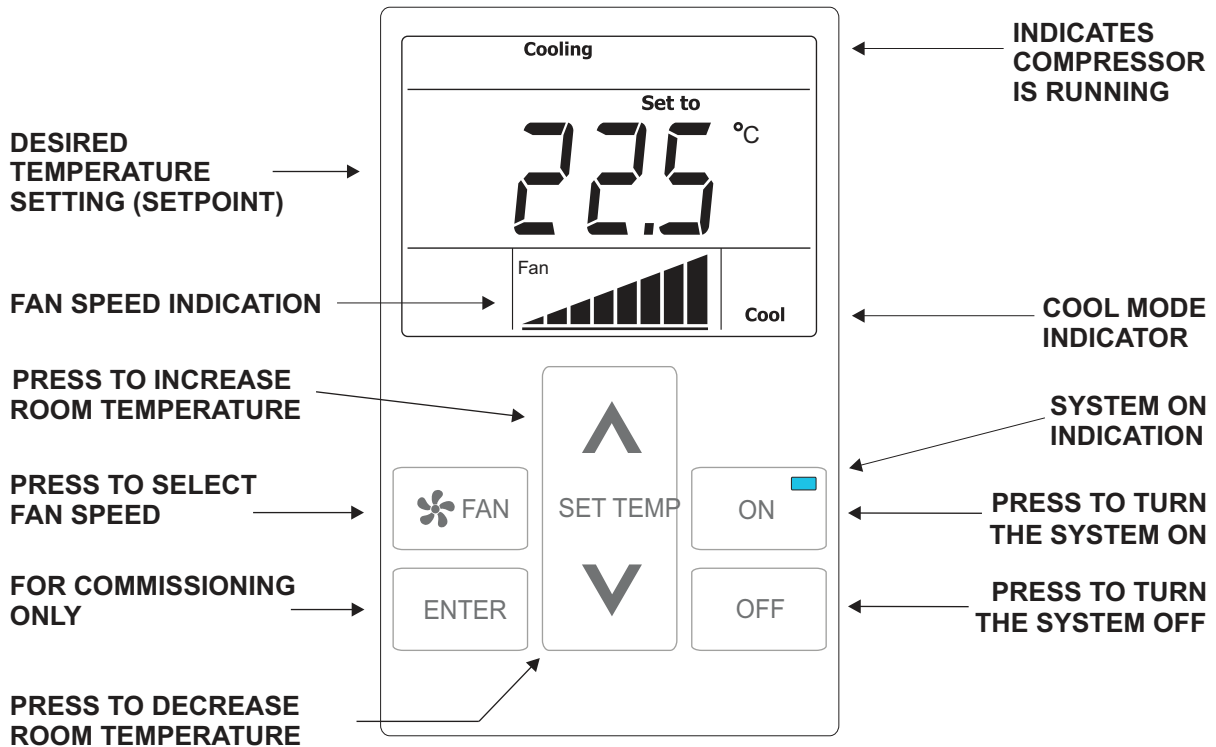


# B75RT COMMERCIAL TEMPERATURE CONTROL

## Operating Instructions



**B75RT Wall Control**

The system will automatically changeover to heat or cool depending on setpoint and room temperature.

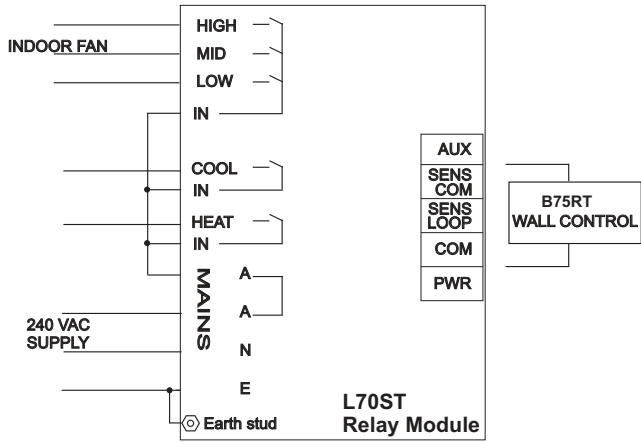
If used - "OFF TIMER" is displayed when the system is turned on to indicate the run timer is active (3, 6 or 9 hrs).

SPECIFICATIONS	
Mains Power Supply	240 Volts 50Hz
Relays: Five volt free contacts (3 Speed Fan, Heat, Cool)	16 amps Res @ 250vac
Set point default operating range (field adjustable)	18oC to 28oC
Dead band default. From Heating off to Cooling on (field adjustable)	1.5oC
Default Switching differential (field adjustable)	0.5oC
Default Fan Run-On - Electric heating only (field adjustable)	60 secs
Volt free auxiliary input supplied by others for remote start and stop	
On Board Sensor (KT103), Remote Sensors Optional	10K @ 25oC

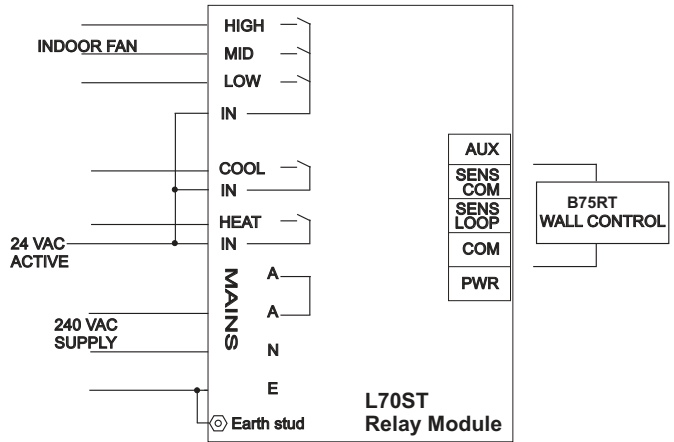


INSTALLER:	COMPANY:	TELEPHONE:
------------	----------	------------

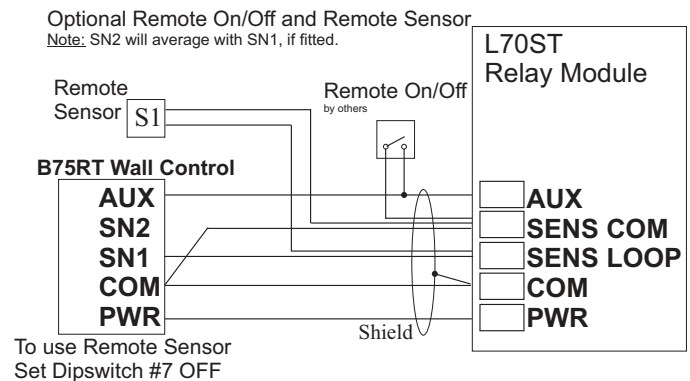
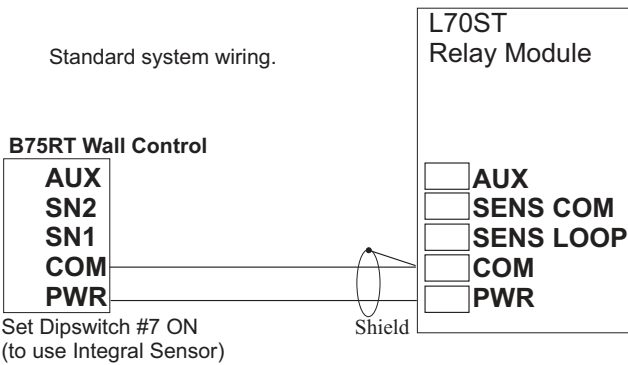
Single stage Heat/Cool or Single stage reverse cycle 240VAC



Single stage Heat/Cool or Single stage reverse cycle 24VAC



**Wall Control and Relay Module Wiring**



**DIPSWITCH SETTINGS**

ON BOARD SENSOR USED FOR SN1				7	REMOTE	REMOTE SENSOR USED FOR SN1				
6 OFF	NO TIMER	6 OFF	3 Hr RUN TIMER	AUX FUNCTION	6	AUX FUNCTION	6 ON	6 Hr RUN TIMER	6 ON	9 Hr RUN TIMER
5 OFF		5 ON			5		5 OFF		5 ON	
REVERSING VALVE ENERGISED IN COOLING				4	REV COOL	REVERSING VALVE ENERGISED IN HEATING				
SINGLE SPEED INDOOR FAN (HIGH OUTPUT)				3	1 SPD FAN	THREE SPEED INDOOR FAN				
CONTINUOUS INDOOR FAN				2	CONT FAN	AUTO / CONTINUOUS FAN (SELECTABLE)				
COOL ONLY AND ELECTRIC HEAT				1	COOL/ELEC	REVERSE CYCLE				

**AUX FUNCTION:**(use Isolated Switch between terminals "AUX"and "COM")  
**REMOTE ON/OFF (TIMESWITCH)** - Close switch to turn the system on, Open switch to turn the system off (ON/OFF buttons still operate Wall Control).  
**RUN TIMER FUNCTION:**Select DipSwitches 5 and 6 to choose the System Run duration (see SETTINGS above).  
 Press"ON"to start the System -"Off Timer"will show to indicate the system will turn off after the set duration.

**COMMISSIONING AND SERVICE KEYS** (PRESS **▲** or **▼** to ADJUST SETTINGS WITHIN THE MENU),  
 (PRESS **ENTER** to ACCEPT SETTING), (PRESS **FAN** to EXIT MENU)

MENU FUNCTIONS	HOLD	PRESS & RELEASE	PRESS & RELEASE	RELEASE
RESET to FACTORY DEFAULT SETTINGS	ENTER	OFF	▼	ENTER
CANCEL TIMERS (fan run-on, anti-cycle, rev hold)	ENTER	OFF	ON	ENTER
SETDIFFERENTIALS, "ROOM TEMP" CALIBRATION (SN1)	ENTER	▼		ENTER
SET TIMERS (Compressor Anti-Cycle, Fan-Runon)	ENTER	▲		ENTER
SETPOINT LOWER LIMIT (Default 18)		ENTER	▼	
SETPOINT UPPER LIMIT (Default 28)		ENTER	▲	
SET IDLE BACKLIGHT LEVEL - OFF OR LOW ILLUMINATION	ENTER	ROOM		ENTER

**Note:** Press space above **ON** button and Room Temp will show for 3 seconds, "Err" will show for a faulty sensor.