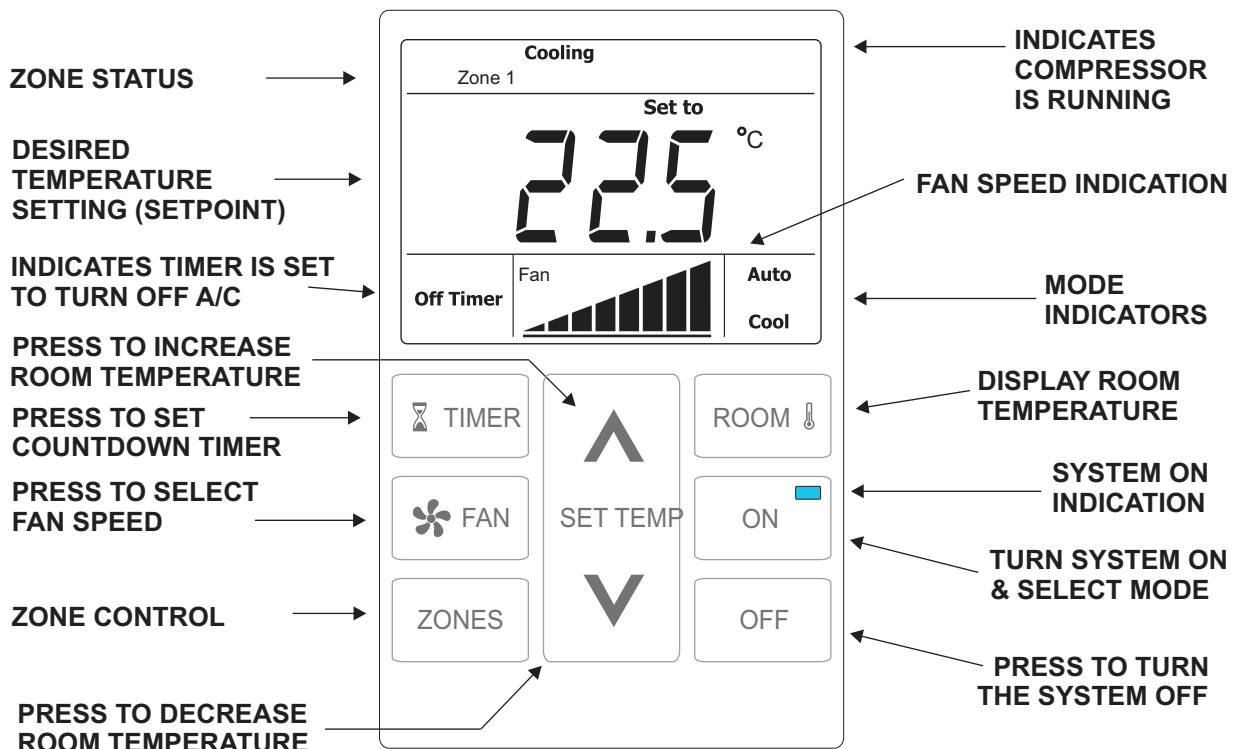


B612 TEMPERATURE CONTROL FOR APARTMENTS

Operating Instructions



B612 Wall Control

Press "ON" repeatedly to select "AUTO" mode, "HEAT" only mode or "COOL" only mode.

"Off Timer" - If the system is ON, it turns OFF after the set period (i.e. sleep timer).

"On Timer" - If the system is OFF, it will turn ON after the set period (adjustable 30 min - 24 Hr).

Press "FAN" repeatedly to select LOW, MID, HIGH, CONT LOW, CONT MID, CONT HIGH, LOW, etc. CONT means continuous fan, usually used in COOL mode.

With the system OFF Press "FAN" to select VENTILATION mode. Press "OFF" to stop the fan.

Room Temp will show for 3 seconds, "Err" will show for a faulty sensor, "E-P Pump Error".
If used - Keycard is out or Window (Balcony door) is open, the system turns off and the display shows "OFF"

Activate only the required Zones (if installed) to increase the Air Conditioner efficiency and save energy.

SPECIFICATIONS	
Mains Power Supply	240 Volts 50Hz
Relays: Five volt free contacts - 3 Speed Fan, Heat 1, Heat 2	16 amps Res @ 250vac
Set point default operating range (field adjustable)	16oC to 28oC
Dead band default. From Heating off to Cooling on (field adjustable)	1.5oC
Default Switching differential (field adjustable)	0.5oC
Default Fan Run-On - Electric heating only (field adjustable)	60 secs
Volt free auxiliary input supplied by others for remote start and stop, etc. (field adjustable)	
On Board Sensor (103KT), Remote Sensors Optional	10K @ 25oC

leasam
CONTROLS



INSTALLER:

COMPANY:

TELEPHONE:

B612 Installation Instructions cont.

DIPSWITCH SETTINGS

ON BOARD SENSOR USED FOR SN1				INTEGRAL	7	REMOTE	REMOTE SENSOR USED FOR SN1			
6 OFF	REMOTE	6 OFF	WINDOW SWITCH	AUX	6	AUX	6 ON	START SWITCH	6 ON	KEYCARD
5 OFF	ON/OFF	5 ON		FUNCTION	5	FUNCTION	5 OFF		5 ON	
USE ONLY ZONE 1 OR ZONE 2 (NOT BOTH)				Z1 OR Z2	4	Z1 &/OR Z2	USE ZONE 1, ZONE 2 OR BOTH ZONES			
SINGLE SPEED INDOOR FAN (HIGH output)				1 SPD FAN	3	3 SPD FAN	THREE SPEED INDOOR FAN			
CONTINUOUS INDOOR FAN				CONT FAN	2	AUTO/CONT	AUTO / CONTINUOUS FAN (SELECTABLE)			
COOL ONLY AND ELECTRIC HEAT				COOL/ELEC	1	HEATPUMP	REVERSE CYCLE			

ON OFF

AUX FUNCTIONS:(use Terminals KEY to COM)

REMOTE On/Off - Close switch to turn the system on, Open switch to turn the system off (Wall Control still operates).

WINDOW SWITCH - Open switch puts system into Standby Mode (OFF), Close switch (window closed) to put system back to last state of operation.

START SWITCH - Close switch momentarily to turn system on (Wall Control still operates).

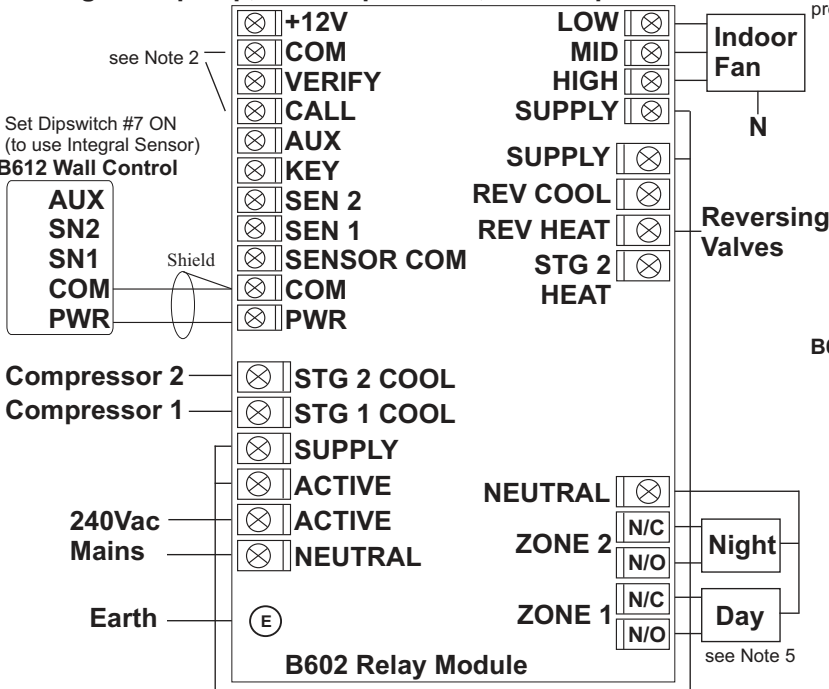
KEYCARD - Open switch to stop and disable system (OFF), Close switch (keycard inserted) to allow the Wall Control to be turned on.

COMMISSIONING AND SERVICE KEYS (PRESS **▲** or **▼** to ADJUST SETTINGS WITHIN THE MENU),
(PRESS **ZONES** to ACCEPT SETTING), (PRESS **FAN** to EXIT MENU)

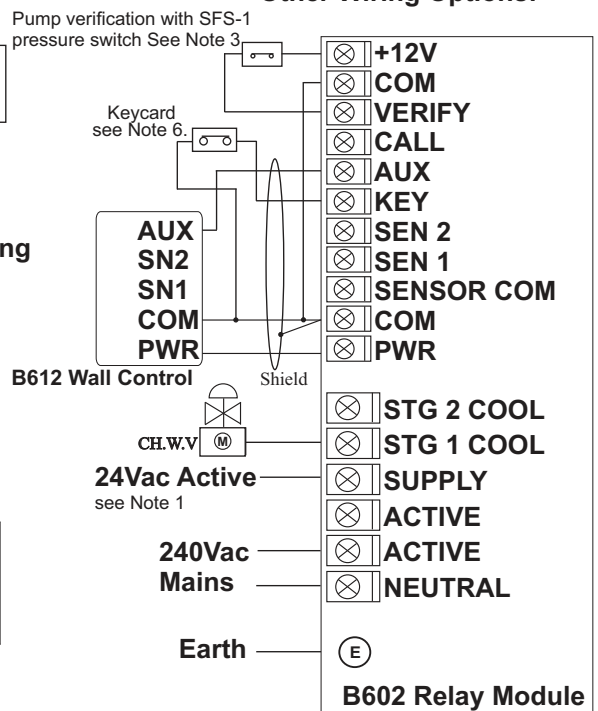
MENU FUNCTIONS	HOLD	PRESS & RELEASE	PRESS & RELEASE	RELEASE
RESET to FACTORY DEFAULT SETTINGS	ZONES	OFF	▼	ZONES
CANCEL TIMERS (fan run-on, anti-cycle, rev hold)	ZONES	OFF	ON	ZONES
SET DIFFERENTIALS, CALIBRATE (SN1)	ZONES	▼		ZONES
SET TIMERS (Compressor Anti-Cycle, Fan-Runon), PI On/Off	ZONES	▲		ZONES
SETPOINT LOWER LIMIT (Default 16, Minimum 12)		ZONES	▼	
SETPOINT UPPER LIMIT (Default 28, Maximum 32)		ZONES	▲	
SET IDLE BACKLIGHT LEVEL - OFF OR LOW ILLUMINATION	ZONES	ROOM		ZONES
SET TO "NO ZONES" OR BACK TO "ZONES" (default)	ZONES	ON		ZONES

System Wiring:

Two Stage Heatpump, Three Speed Fan, No Pump Interlock



Other Wiring Options:

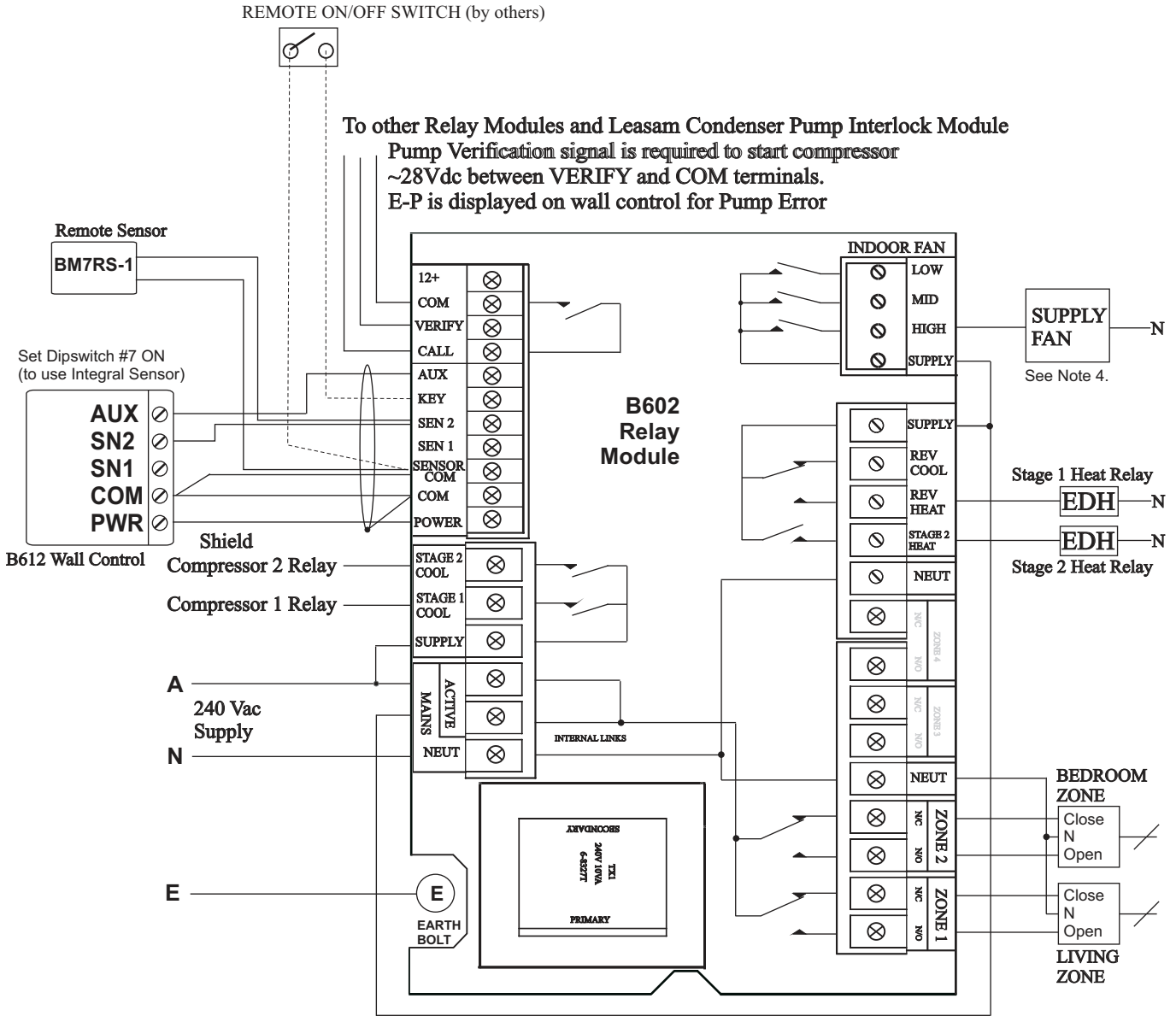


- Note 1. For 24Vac control systems, connect 24Vac Active into Supply terminals instead of 240Vac Active.
- Note 2. To disable Pump Interlock set PI Off in SET TIMERS Menu. CALL relay becomes SYSTEM ON indication (24 Volt max), also on with FAN only mode.
- Note 3. Pump Interlock function set PI On for Leasam PI Module or differential water pressure switch.
- Note 4. Single Speed Fan. Use HIGH terminal.
- Note 5. Zone Dampers. Use 240Vac drive open, drive close or drive open, spring close actuators.
- Note 6. Auxillary functions. Set Dipswitches #5 & 6 (Keycard shown inserted, Switch by others).
- Note 7. Zone 1 uses SN1, Zone 2 uses SN2 (if fitted). When both zones are selected, the sensors are averaged.

B612 Installation Instructions cont.

B612 SYSTEM

Two stage compressor with 2 stage electric heat.
 Condenser Pump Interlock.
 Single speed fan.
 Two 240Vac Zones, see Note 7. Page 2.
 Remote sensor in night area.



Note: To bypass Pump Interlock, select PI Off in Timers Menu or do not connect AUX