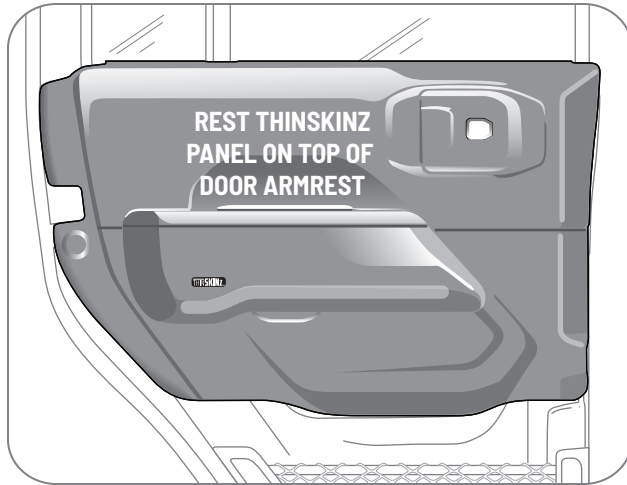
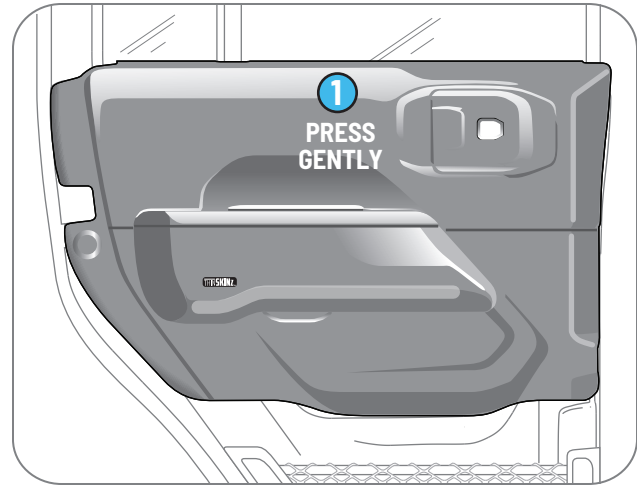


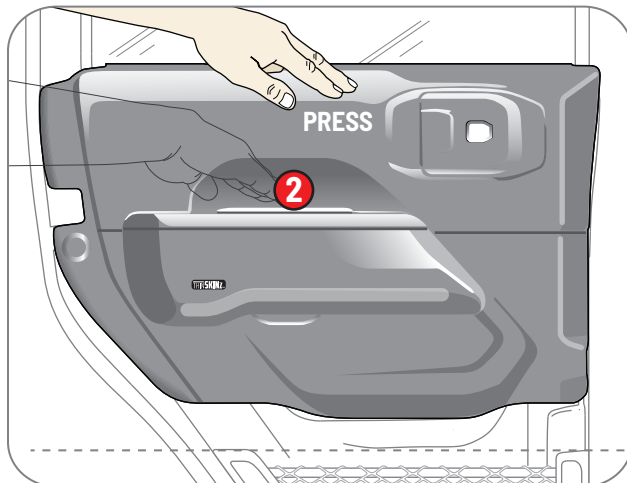
Installation & Removal



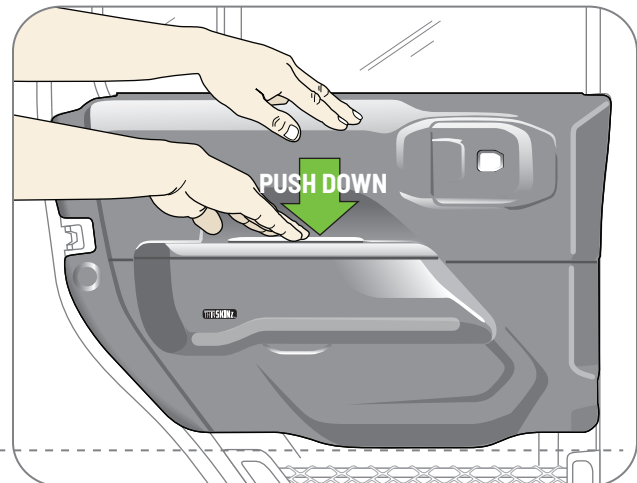
1. Rest ThinSkinz™ shell on the arm rest of door.



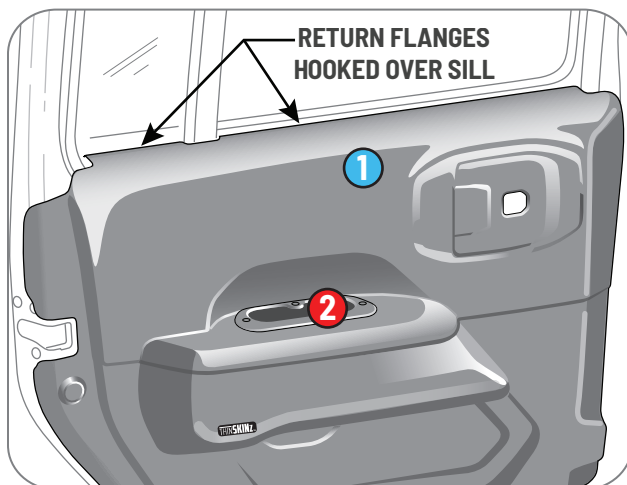
2. Press Point 1, gently towards door.



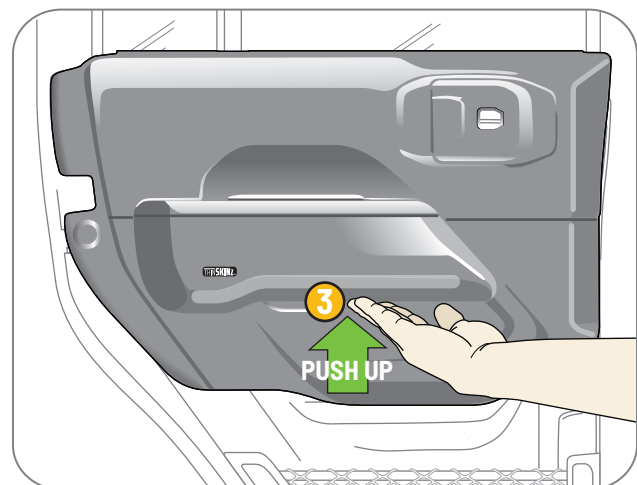
3. While pressing on Point 1, Place the fingers of your other hand at Point 2.



4. Push Point 2 downward and toward door while pressing on Point 1 until panel locks into position.



5. Check that the return flanges are hooked over window sill



6. To remove, push up on Point 3 underneath armrest.



Care Instructions & Warranty

Care Instructions:

- Ensure that all surfaces on the ThinSkinz™ panels and OEM interior doors are clean and dry before installation.
- If exposed to dust, sand or debris, remove any particulates in non-woven felt fabric liner with brush and/or vacuum. If the felt liner gets wet during cleaning, remove excess water by patting with a clean towel and allow to air dry before re-installation. Do not use hair dryer or other heat source to accelerate drying.
- **Important:** Before Installation, make sure that there is no dust, sand or debris trapped between ThinSkinz™ panels and door surfaces. Trapped particles can cause abrasion during installation and use.
- Use mild dish soap, warm water, and soft cloth or microfiber towel to clean ThinSkinz™ panels. Do not use harsh chemicals (acetone, bleach, etc.) or apply silicone-based cleaners or degreaser to panels.
- Please follow instructions on the reverse side of this page for installation and removal of ThinSkinz™ panels.



2 Year Limited Warranty:

We are dedicated to making products of uncompromising quality and craftsmanship. ThinSkinz™ warrants that our products will be free from any defects in materials and workmanship for 2 years from the original purchase and only for the original vehicle they were installed in. Normal wear and tear do not qualify for a warranty replacement or a refund.

Coverages include:

Defects in materials and workmanship in this product.

Exclusions:

This limited warranty does not cover any damage, exposure to abrasive conditions, chemical contamination, such as spilled gasoline, bleach, vehicle accidents, misuse, abuse, incorrect installation, incorrect use, etc. Deterioration or malfunction resulting from any alteration, modification, improper or unreasonable use or maintenance, misuse, abuse, accident, neglect, exposure to excess moisture, fire, sunlight, steam, improper packing and shipping, lightning, or other acts of nature, damage directly or indirectly due to non-compliance with the recommended use and care instructions. This limited warranty does not cover any damage, deterioration or malfunction resulting from any unauthorized tampering with this product, any repairs attempted by anyone unauthorized by ThinSkinz™ to make such repairs, or any other cause which does not relate directly to a defect in materials and/or workmanship of this product.

This limited warranty does not apply to normal wear and tear. Register your product with ThinSkinz within 30 days of purchase for this warranty to be valid. To do so visit www.thinskinz.com/warranty. In order to pursue any remedy under this limited warranty, you must possess an original, dated receipt as proof of purchase from an authorized ThinSkinz™ reseller. All warranties contained herein shall not apply if the product or cover has been physically damaged, burned, cut, torn or is abnormally soiled or unsanitary.

