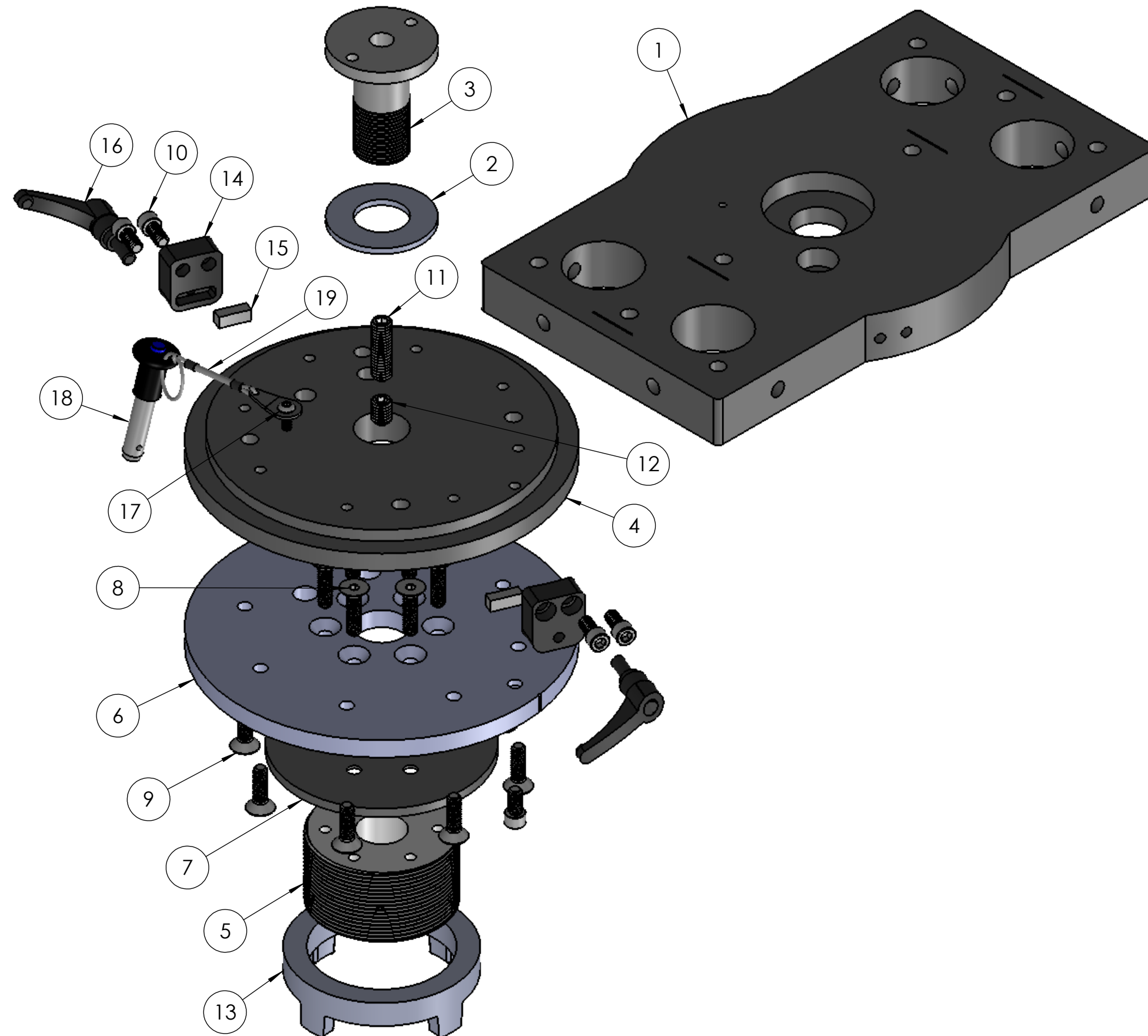


PART #	DESCRIPTION
1061	SWIVEL ASSEMBLY



ITEM NO.	PART NUMBER	DESCRIPTION	QTY.
1	AA1029	MITCHELL TOP PLATE BLK ANOD	1
2	AA1004	DELRIN WSH MITCH	1
3	AA1005	MITCHELL BOLT SS	1
4	AA1003	DELRIN MIDDLE PLATE	1
5	AA1001	MITCHELL SPUD BLK ANOD	1
6	AA1002	MITCHELL BTTM PLTE BLK ANOD	1
7	AA1030	MITCHELL SPACER BLK ANODIZE	1
8	1273/100	SOC: 1/4-20x1.0 FLT HEAD SS 18-8	6
9	1274/100	SOC: 1/4-20x.875 FLT HEAD SS 18-8	8
10	1272/100	SOC CAP HD SS 1/4-20 @.50"	5
11	1286/100	SOC SET SCREW SS 3/8- 16@1.25	1
12	1278/100	SOC SET SS SELF LCK 3/8-16X.50	1
13	1880	NUT,HAND,2.75-12,AL MITCH BLK ANOD	1
14	AA1013	BRAKE HOUSING BLK ANODIZE	2
15	AA1014	BRAKE PAD SS	2
16	AA1012	KIPP HANDLE	2
17	1257/100	SOC BUTTON HEAD SS 8-32 @ .50"	1
18	1335/100	3/8 QUICK RELEASE PIN	1
19	6348-4/100	LANYARD 6" W/MOUNT	1