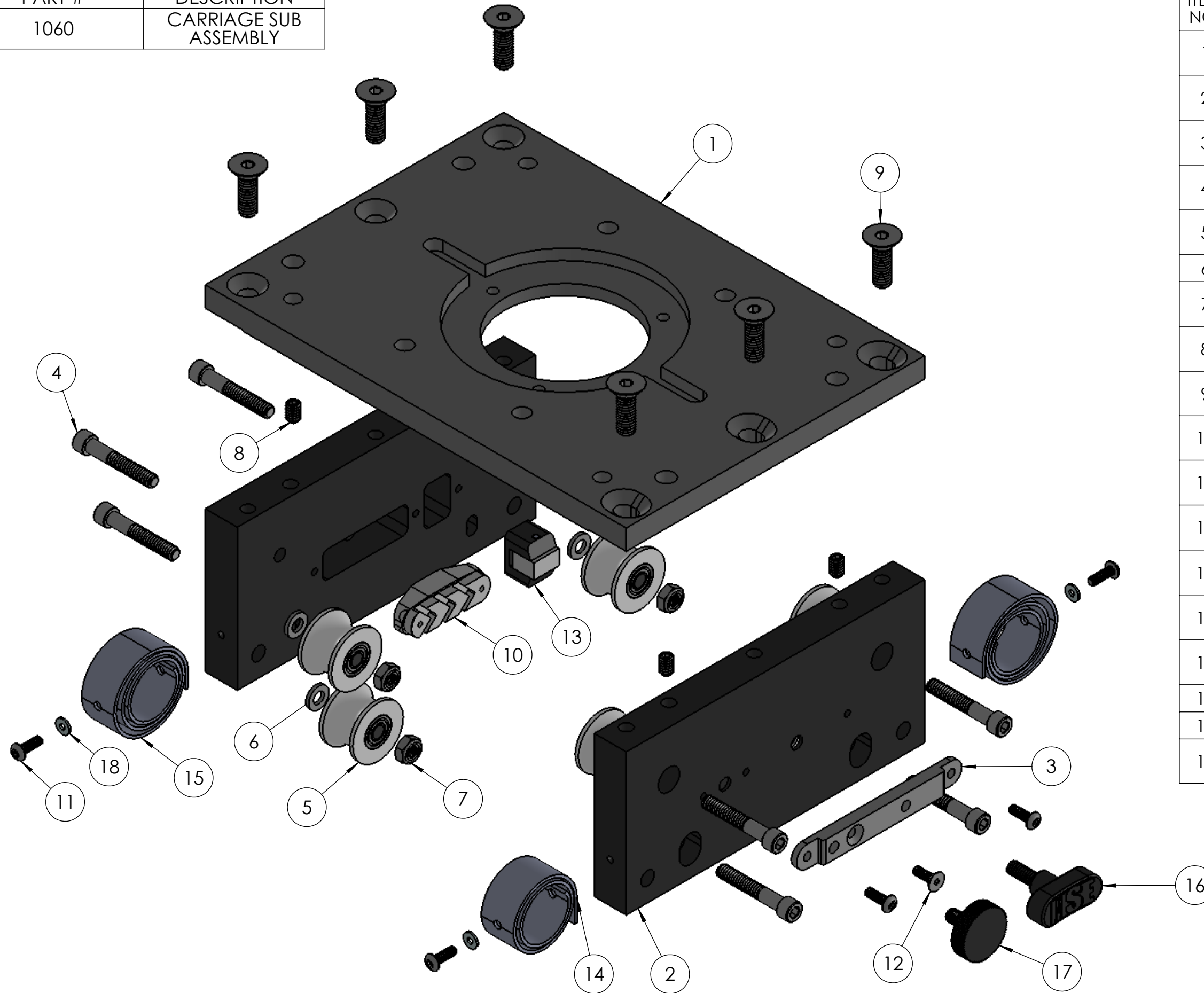


PART #	DESCRIPTION
1060	CARRIAGE SUB ASSEMBLY



ITEM NO.	PART NUMBER	DESCRIPTION	QTY.
1	AA1028	CARRIAGE, TOP PLATE, BLK ANOD	1
2	AA1027	CARRIAGE, SIDES BLK ANOD	2
3	AA1031	STAINLESS BODY MOUNT BRAKE	2
4	1255/100	SOC CAP HD SS 1/4-20 @ 1.5"	8
5	1060-3	ERGO WHEEL ASSEMBLY	8
6	27012/100	M6 SS FLAT WASHER	8
7	3029/100	1/4-20 NYLOCK SS LOW PROFILE	8
8	1254/100	SOC SET CP 1/4-20 @ .375 SS 18-8	8
9	1265/100	SOC FLT SS 5/16-18@1.0"	6
10	AA1047A	BRAKE PAD ASSEMBLY	2
11	1257/100	SOC BUTTON HEAD SS 8-32 @ .50"	8
12	1261/100	SOC FLAT HEAD 8-32 @ .50"	2
13	1060-4	FRICTION BRAKE ASSEMBLY	2
14	AA1042	MEDIUM RUBBER BUMPER 8"	2
15	AA1043	LARGE RUBBER BUMPER 12"	2
16	B2017-1	T-HAND, A, 1/4-20, @.5	2
17	1060-1	KNOB ASSEMBLY	2
18	27013/100	1/8 STEEL FLAT WASHER	4