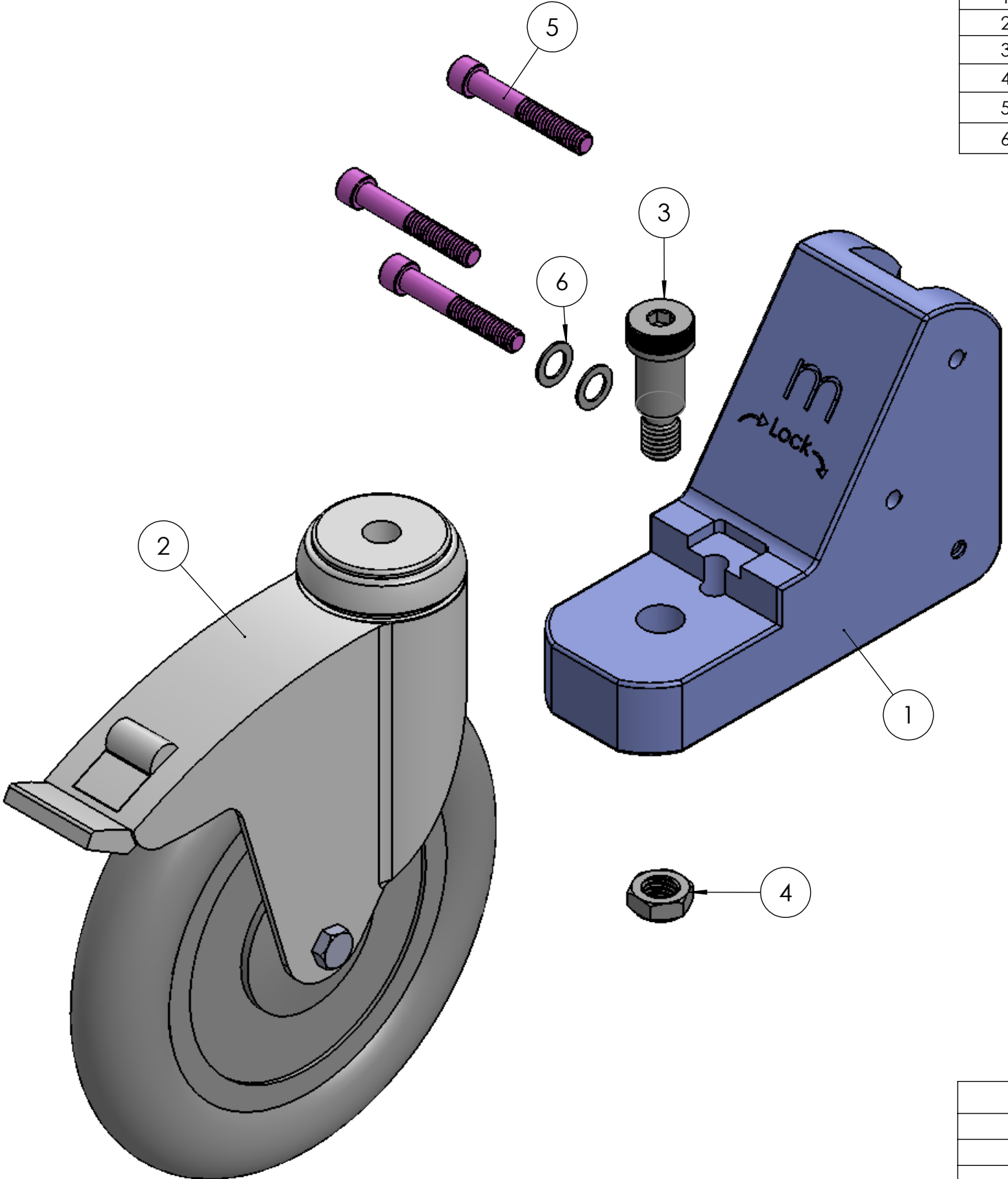


DESCRIPTION
WHEEL ASSEMBLY

ITEM NO.	PART NUMBER	DESCRIPTION	QTY.
1	MSE-071-4	WHEEL SUPPORT FEET	1
2	6008	CASTER,6",W/KIK STOP	1
3	1069/100	SBOLT:1/2-13X.625D@1",ALLOY,BL OX	1
4	1329/100	LNUT:HX,1/2-13,ALLOY,ZINC,THIN	1
5	1393/100	CS:SOC,5/16-18@2.0",ALLOY, BL OX	3
6	27047/100	WSH:FIB,3/8"ID,1.25OD@.063" SE8	2



USED ON PART #	DESCRIPTION
521000	LO BOY VATOR III SINGLE RISER
521001	LO BOY VATOR III
521004	CRANK-O-VATOR III

**m matthews**  
studio equipment®

4520 West Valerio Street | Burbank CA 91515 | 818.843.6715 | www.msegrip.com