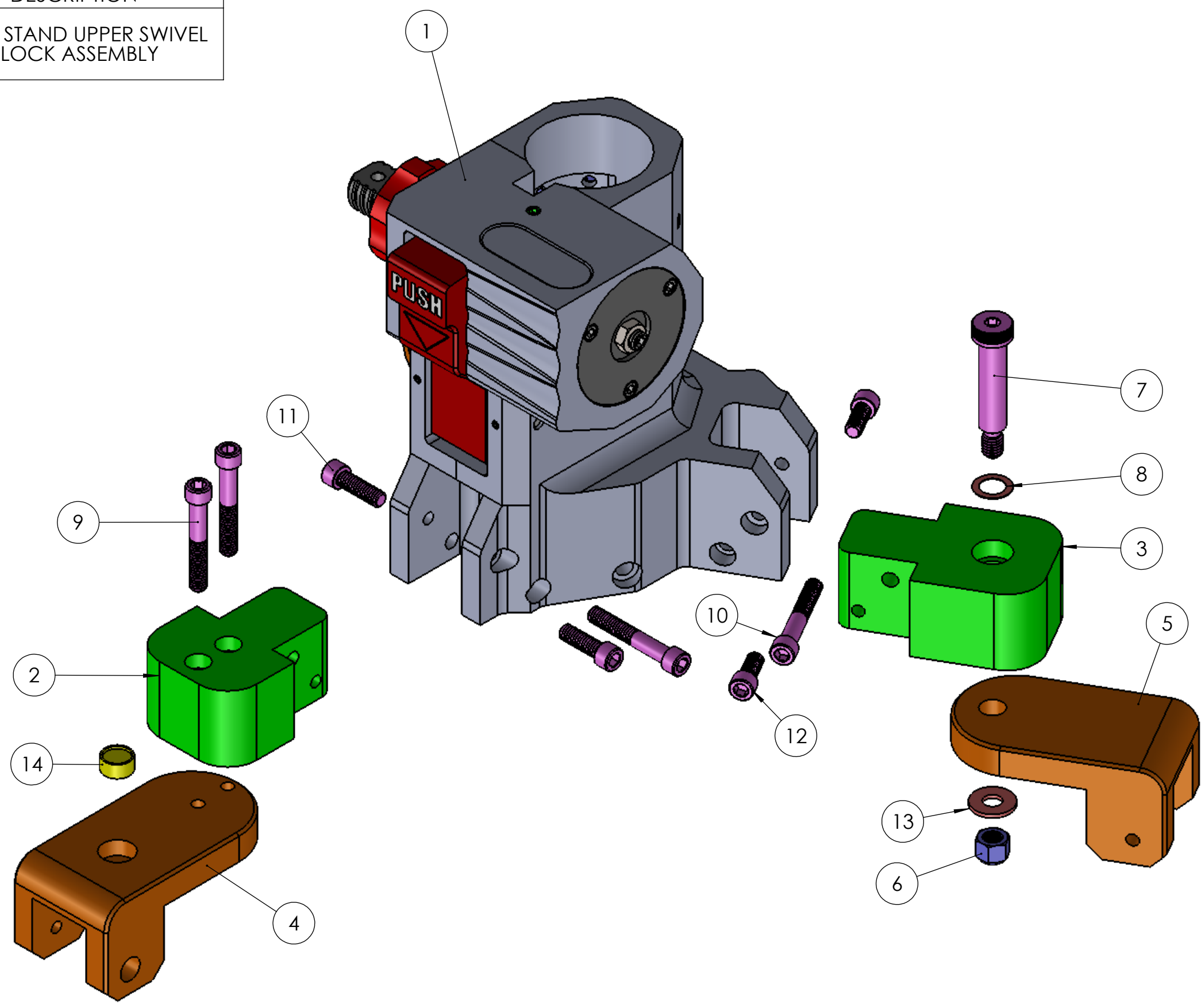


DESCRIPTION
SUPER STAND UPPER SWIVEL BLOCK ASSEMBLY



ITEM NO.	PART NUMBER	DESCRIPTION	QTY.
1	521003-6	CRANK HEAD ASSEMBLY	1
2	11040-02	ROLLING APPEND BLOCK @3.250"	1
3	11041-01	ROLLING INDEX BLOCK @3.915"	2
4	11011-01	CLEVIS CENTER @ 4.312"	1
5	11011-02	UPPER CLEVIS ROLLING @4.312	2
6	1175/100	LNUT:HX,3/8-16,ALLOY,ZINC	2
7	MSE-256-100	SOC:SHOULDER,3/8-16@2"X.5D,ALLOY,BL OX	2
8	MSE-305-100	WSH:3/4ODX1/2IDX.02 TH,NYLN	2
9	1393/100	CS:SOC,5/16-18@2.0",ALLOY, BL OX	2
10	MSE-298-100	CS:SOC,5/16-18@2",SS,18-8	3
11	MSE-264-100	CS:SOC,5/16-18@1",SS,18-8	2
12	MSE-269-100	CS:SOC,5/16-18@.75",SS,18-8	4
13	1066/100	WSH:3/8",SAE,ALLOY,ZINC	2
14	6079-100	BUBBLE LEVEL	1

USED ON PART #	DESCRIPTION
521002	MIDI VATOR III
521003	SUPER VATOR III
521004	MEGA VATOR III