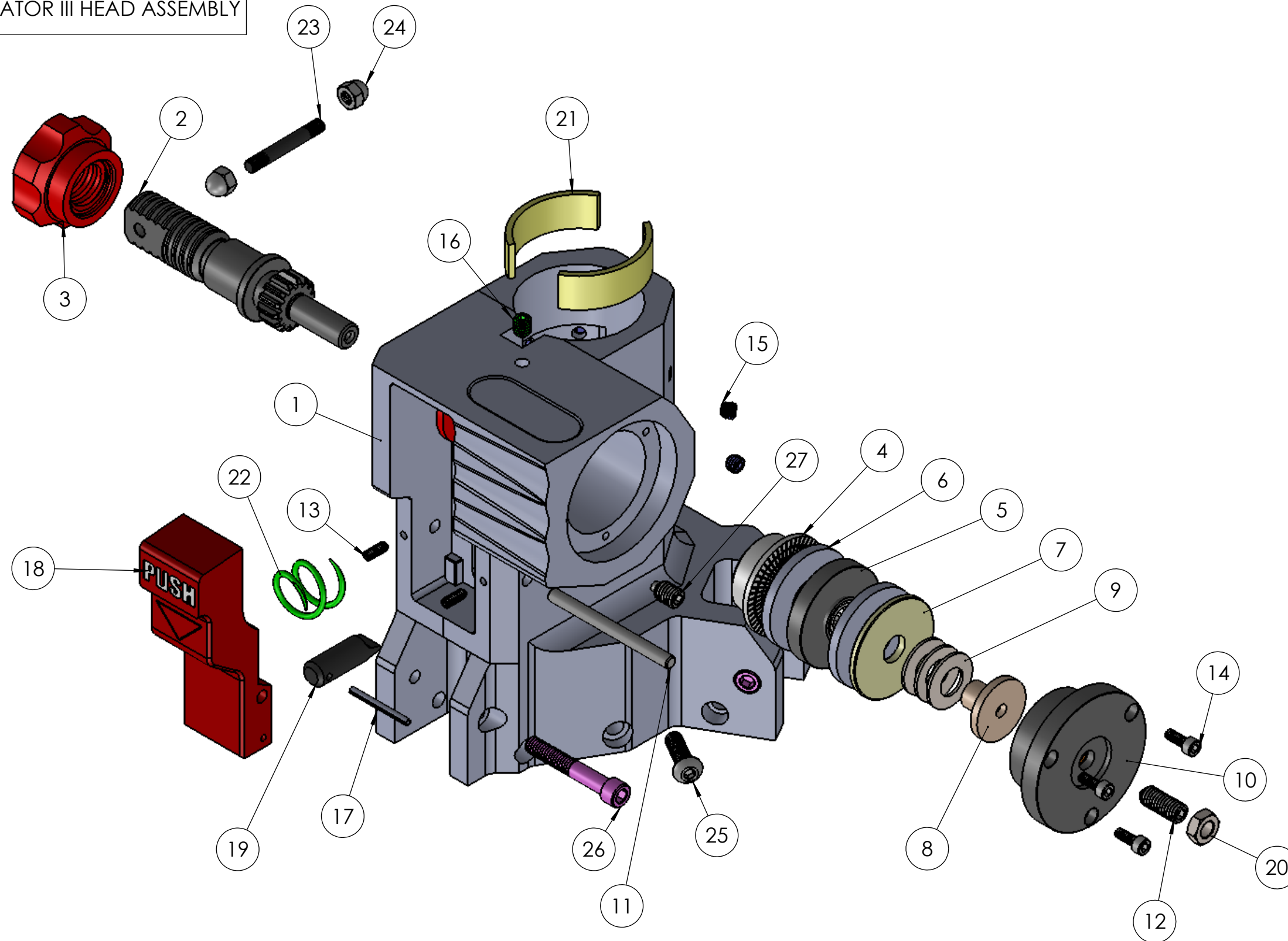


DESCRIPTION
VATOR III HEAD ASSEMBLY



ITEM NO.	PART NUMBER	DESCRIPTION	QTY.
1	521003-1	MAIN HOUSE W/BUSH INST.	1
2	387580-08	CRANK PINION	1
3	MSE-104-5	HANDLE LOCK KNOB	1
4	521003-2	TRANS DISK W/BUSH INST.	1
5	521003-3	TRANS PAD HOUS W/BRG INST	1
6	MSE-036-4	Clutch Pad	2
7	MSE-079-4	TRANS PLATE	1
8	MSE-037-4	SPRING DISK HOUSING	1
9	MSE-261-100	SPRING DISK MKMA 14.2	3
10	521003-5	TRANS COVER W/INSERT	1
11	650043	DOWEL PIN:1/4x3",ALLOY	1
12	MSE-061-4	SET:SOC,CNPT, 3/8-16 @ 1",SS,18-8	1
13	MSE-297-100	SET:SOC,KN/PT,10-24@5/16", ALLOY	2
14	MSE-316-100	CS:SOC,10-24@.5",SS,18-8	3
15	1105/100	SET:SOC,KN/PT,5/16-18@.25",SS,18-8	4
16	25-0231	SET:SOC,5/16-18@.375",SS,18-8	1
17	MSE-265-100	RPIN, .125D,@1.5"	1
18	MSE-044-5	Push to Release	1
19	MSE-059-4	Gear Rocker	1
20	6389-100	NUT:HX,3/8-16,ALLOY,ZINC,THIN	1
21	650042	Cov: 1/2 Moon: Brass/MC	2
22	MSE-107-4	COMPRESSIONS SPRING	1
23	MSE-108-4	ARMBOLT:1/4-20@1.812",DOUBLE END	1
24	MSE-301-100	NUT:ACORN,1/4-20,SS	2
25	25-0385	CS: BUT: 5/16-18 @ 1" SS	3
26	MSE-298-100	CS:SOC,5/16-18@2",SS,18-8	3
27	1065/100	SET:SOC,NY/TIP,3/8-16@.5",SS,18-8	2

USED ON PART #	DESCRIPTION
521000	LO BOY VATOR III SINGLE RISER
521001	LO BOY VATOR III
521002	MIDI VATOR III
521003	SUPER VATOR III
521004	CRANK-O-VATOR III
521005	MEGA VATOR III

m matthews
studio equipment.
4520 West Valerio Street | Burbank CA 91515 | 818.843.6715 | www.msegrip.com