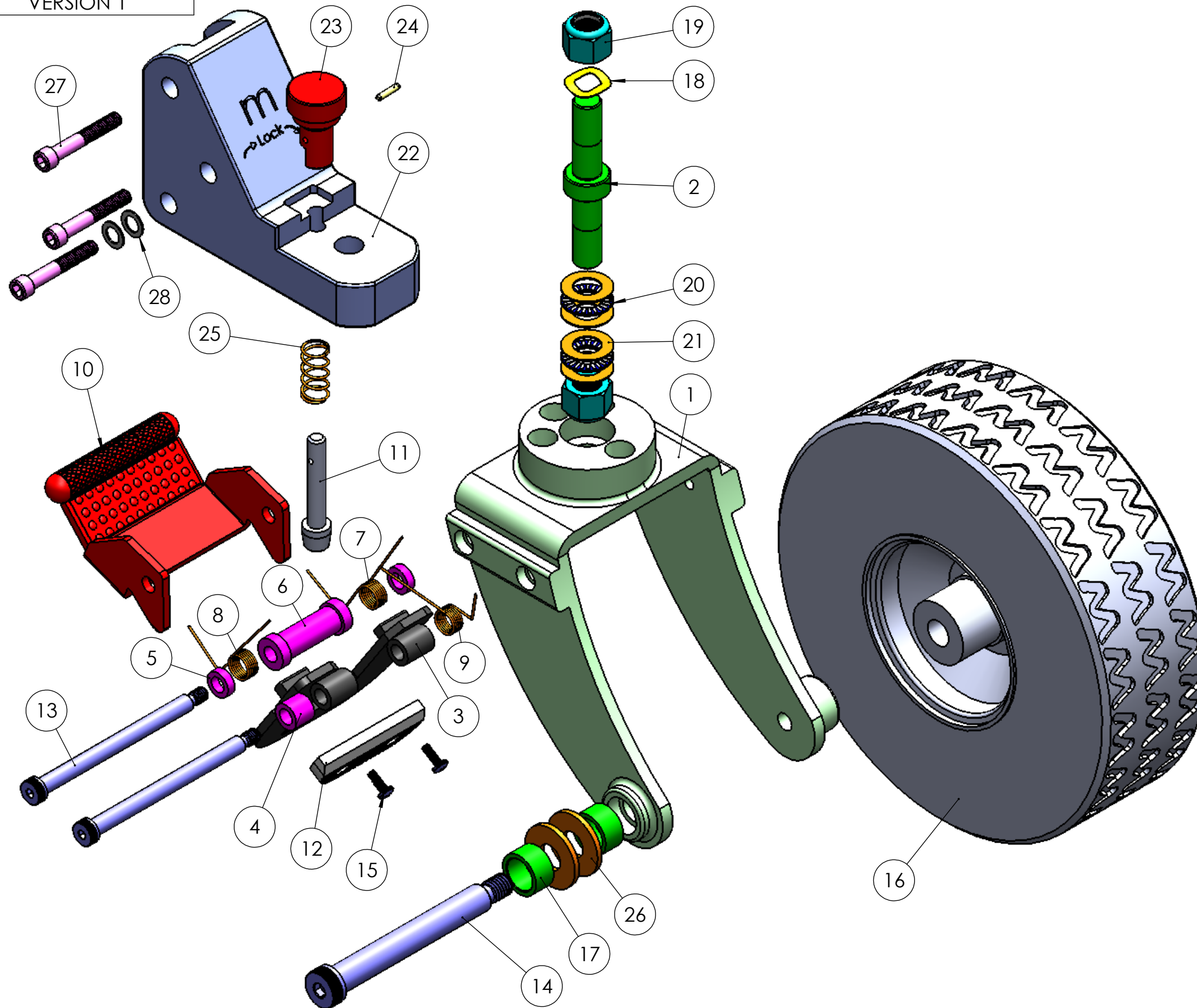


DESCRIPTION  
BIG BOY WHEEL SET  
VERSION 1



ITEM NO.	PART NUMBER	DESCRIPTION	QTY.
1	MSE-067-4	WHEEL YOKE	1
2	MSE-069-4	WHEEL YOKE SPINDLE	1
3	MSE-A013-4	BRAKE PLATE WMT	1
4	MSE-081-4	SPACER BUSHING BRAKE FOOT	1
5	MSE-078-4	SPACER BUSH BRAKE	2
6	MSE-083-4	SPACER SLEEVE BRAKE FOOT	1
7	MSE-097-4D	RIGHT SPRING BREAK FOOT BOARD	1
8	MSE-097-4E	LEFT SPRING BREAK FOOT BOARD	1
9	MSE-098-4	SPING BREAK SLAB	1
10	MSE-A024-4	BRAKE SLAB WMT	1
11	MSE-084-4	SUPER CRANK WHEEL SUPPORT LOCK PIN	1
12	MSE-093-4	BRAKE PAD	1
13	MSE-257-100	SBOLT:5/16-18@4.5",.375D,ALLOY,BL OX	2
14	MSE-258-100	SBOLT:1/2-13@4.5",.625D,ALLOY,BL OX	1
15	MSE-296-100	SC:PH,10-32@.375",ALLOY,ZINC	2
16	20-0015	CV,WHEEL,CAREFREE WA-10-4300J	1
17	395000-19	DWD, WHEEL SPACER, @.53" ZINC	2
18	MSE-306-100	WASHER:RIPPLE,5/8 IN	1
19	MSE-260-100	NUT:NYLOCK,5/8-18,SS,18-8	2
20	6289/100	BRG CAGE TORRINGTON,NTA-1018,5/8"	2
21	1121/100	BRG RACE,TRA-1018, 5/8"	4
22	MSE-071-4	WHEEL SUPPORT FEET	1
23	MSE-085-4	WHEEL LOCK KNOB	1
24	1084/100	RPIN,.125D,@.63"	1
25	19003/100	SPG,COMP,.48D,.038W,@1.25	1
26	640051	CV, WASH, AL, WHEEL YOKE	2
27	1393/100	CS:SOC,5/16-18@2.0",ALLOY, BL OX	3
28	27047/100	WSH:FIB,3/8"ID,1.25OD@.063" SE8	2

USED ON PART #	DESCRIPTION
521002	MIDI VATOR III
521003	SUPER VATOR III
521005	MEGA VATOR III

**m matthews**  
studio equipment®  
4520 West Valerio Street | Burbank CA 91515 | 818.843.6715 | www.msegrip.com