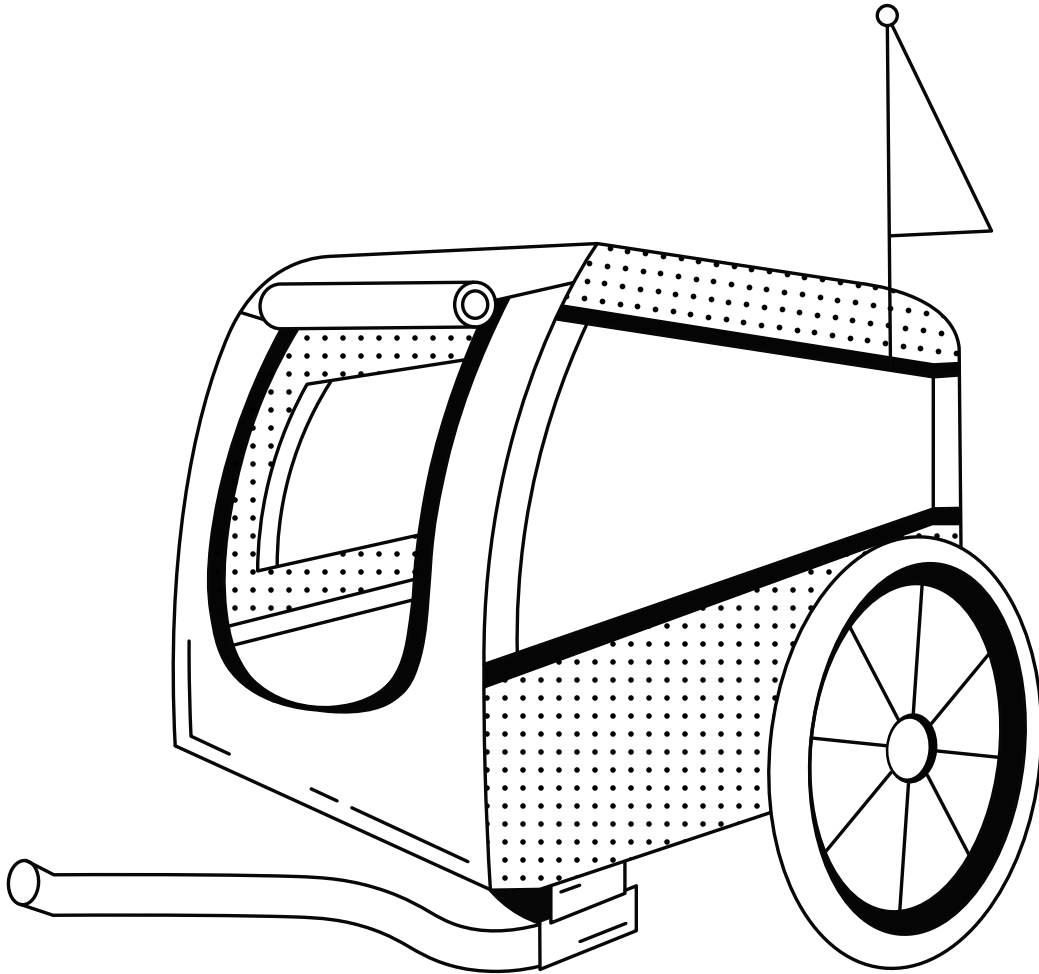




LECTRIC PET TRAILER

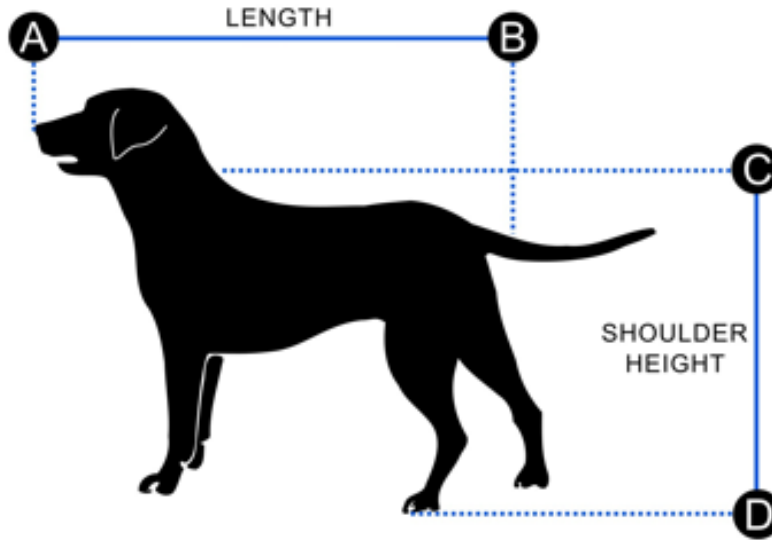
OWNER'S MANUAL & SAFETY INSTRUCTIONS



IMPORTANT

KEEP THESE INSTRUCTIONS FOR FUTURE REFERENCE

1. SIZE CHART



TRAILER MEASUREMENTS

MAX. LENGTH	26 in.
MAX. SHOULDER HEIGHT	18 in.
MAX. WEIGHT	50 lbs.

2. SAFETY GUIDELINES

⚠️ WARNING

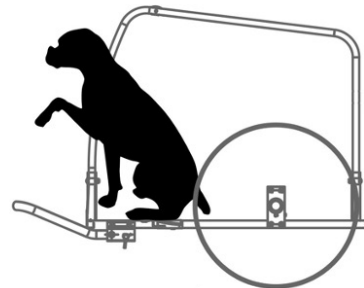
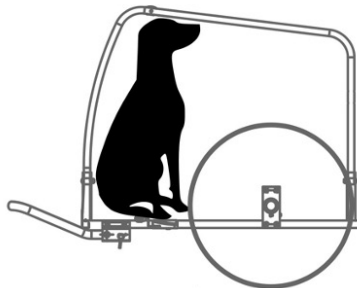
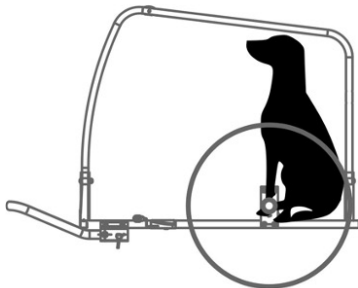
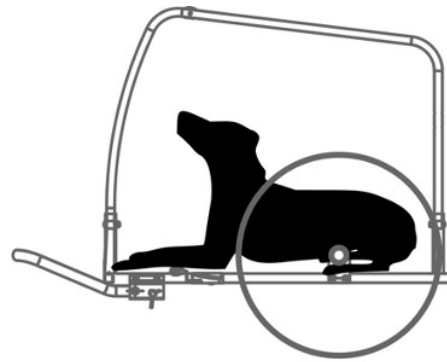
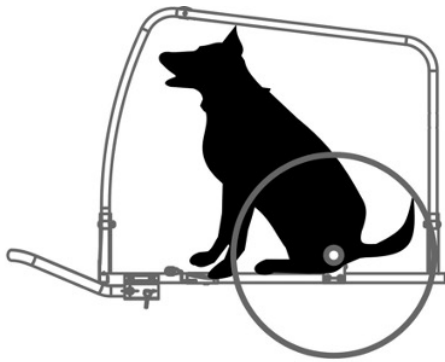
Do read instructions before driving. Failure to comply with the instructions and warnings in this manual could result in serious injury or death.

- Consult veterinarian to ensure it is safe for your pet to ride in a trailer.
- Make sure pet cannot make contact with the wheel spokes.
- Check comfort and safety of pet frequently, especially during hot or cold weather.
- Never leave pet unattended and always hold the trailer/stroller from tipping backward when dog is entering or leaving the trailer.

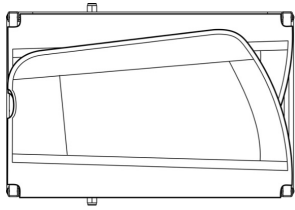
- DO NOT use with a total load that exceeds 22 kg/ 50 lbs.
- Never use pet trailer for transporting child or cargo.
- DO NOT make any modifications to the product.
- DO NOT over-inflate the tires. Failure to comply with the rated pressure on the tire sidewall may lead to explosion of the tire and possible injury.
- Before each ride, be sure the trailer does not interfere with braking, pedaling or steering of the bicycle.
- Always comply with local regulations when using the trailer on public roadways.
- Obey all local legal requirements for lighting.
- When using your trailer, you are towing extra weight and a bigger vehicle. You must allow more time for braking, slowing, stopping and starting, and allow more room for turns and passageways. Experiment with the loaded trailer in an uncongested area until you become familiar with how your bike handles towing a trailer.
- Avoid rocks, curbs, hard braking and sudden swerving. Avoid riding over obstacles with one wheel, as this may cause the trailer to tip over.
- Always ride with the front and rear door fully closed to protect pet from flying debris and prevent pet from jumping from the trailer.
- The rider of the bicycle must be at least 18 years old.
- Recommended speed limits: - 10 mph on smooth, straight roads – 5 mph when turning or on uneven roads.
- Trailer weight must be properly distributed for safe handling. The weight on the hitch connector should be between 4.4 and 22 lbs. To measure this, load your trailer and place next to bathroom scale. Step on scale and make a note of your weight. Standing on scale, lift up the end of the tow bar one foot (approximately 25cm) off the ground. The weight shown should be 4.4 and 22 lbs. more than your own weight. If the weight is too low, the rear wheel of the bicycle could lose traction. If it is too high the hitch may be overloaded.

⚠️ WARNING

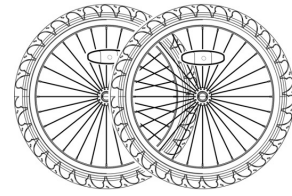
Never overload the trailer and never ride with a tow bar load that is outside the specified range of 4.4 to 22 lbs. Always distribute the load evenly. Failure to do so could result in accidents with serious injury or death. Tip: Make sure that your dog is positioned with its center of gravity as close as possible to the wheel axle. This is the best way to ride with an optimal weight distribution.



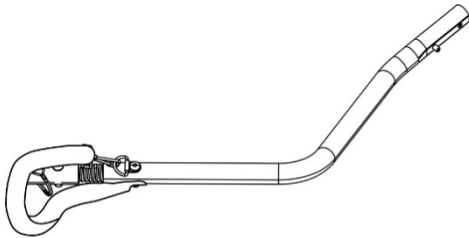
3. BOX CONTENTS



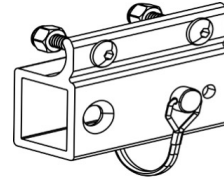
1 X MAIN FRAME



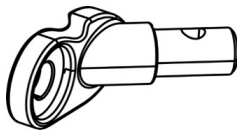
2 X WHEELS



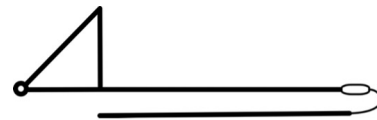
1 X TOW BAR



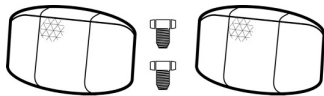
1 X TOW BAR RECEIVER



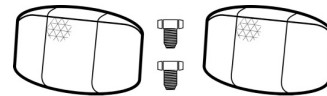
1 X UNIVERSAL HITCH



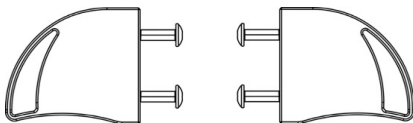
1 X FLAG



1 X FRONT REFLECTORS (WHITE)



1 X REAR REFLECTORS (RED)



2 X WHEEL GUARDS

TOOLS



11 MM WRENCH



6 MM HEX KEY

4. OPENING THE MAIN FRAME

Take out the trailer main frame and all other components from the carton. Remove black protective caps on 4 corners. Raise both side panels to an upright position (Figure 1).

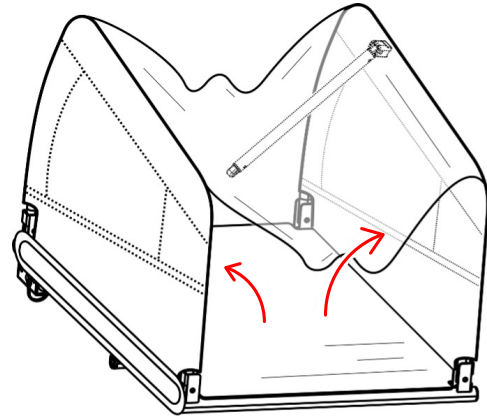


Figure 1

Fasten the crossbar to the top part of the main frame. Raise and lock the crossbar using the safety pin attached to the bolt (Figure 2). Make sure that safety pins are properly locked in place as shown (Figure 3).

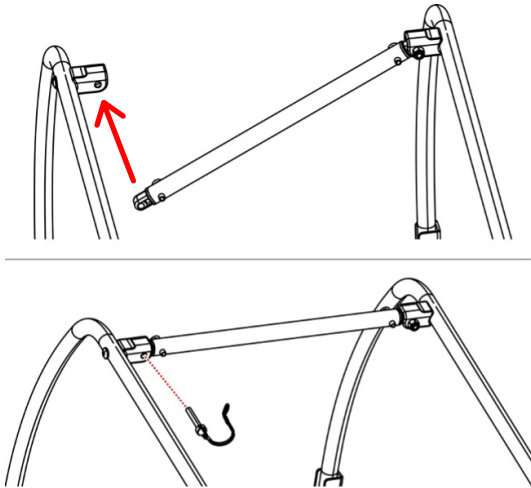


Figure 2

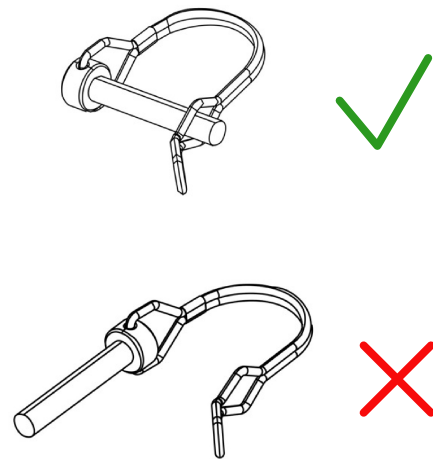


Figure 3

5. ATTACHING THE WHEELS

Insert wheel axle into axle receiver underneath the trailer frame until it snaps in place (Figure 4). Pull firmly on wheel to confirm the axle is fully engaged (Figure 5). To remove the wheels, press the button on the axle receiver and take the wheels out.

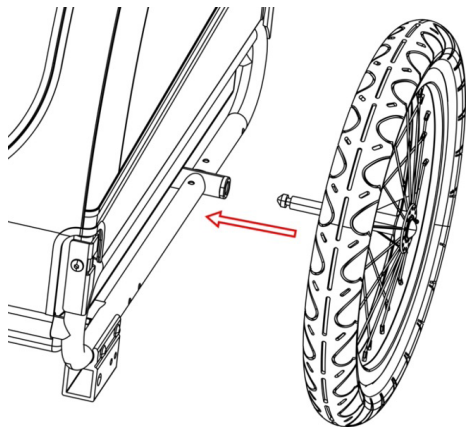


Figure 4

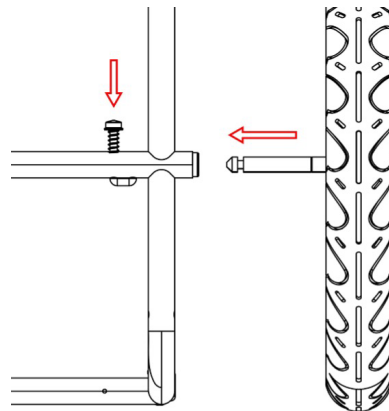


Figure 5

6. INSTALLING THE PARKING BRAKES/WHEEL GUARDS

Insert wheel guard bolts through frame tube. Match holes in wheel guards to bolts. Tighten securely with hex key (Figure 6). Repeat for wheel guard on other side.

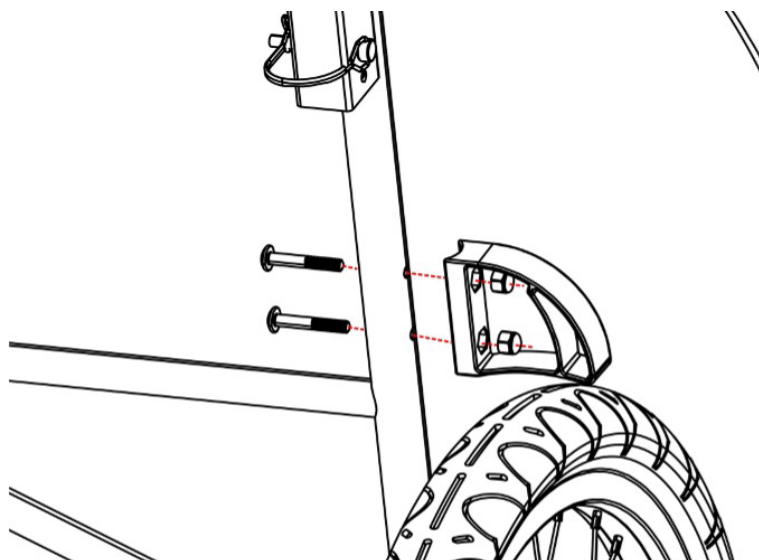


Figure 6

7. ATTACHING THE FLAG

Insert the flag pole into the flagpole pocket at the left rear corner of the side panel (Figure 7, Figure 8).

Insert screws into holes on the cover to fasten front (white) and rear (red) reflectors.

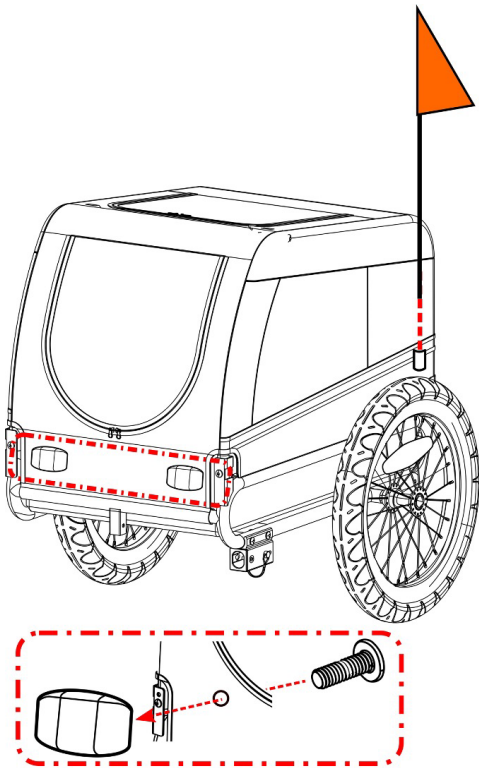


Figure 7

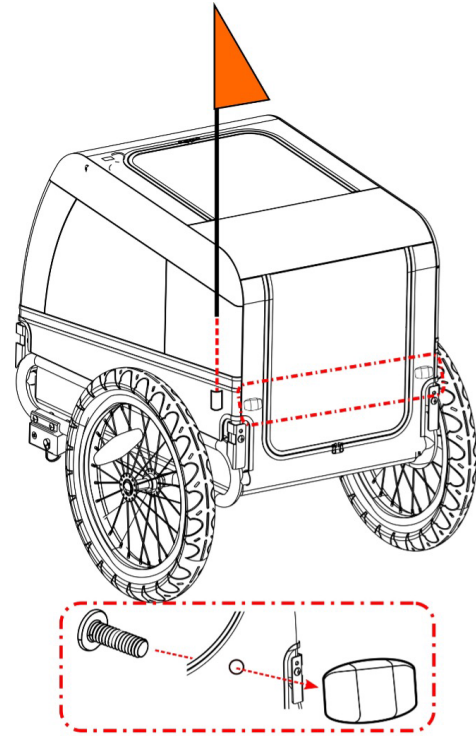


Figure 8

8. INSTALLING THE TOW BAR

Fix the tow bar receiver to main frame as shown (Figure 9).

Pressing the spring button, slide the tow bar into the tow bar receiver until the spring button comes out of the hole A. Insert the safety pin from the hole B through the other side. Make sure the safety pin is properly locked in place.

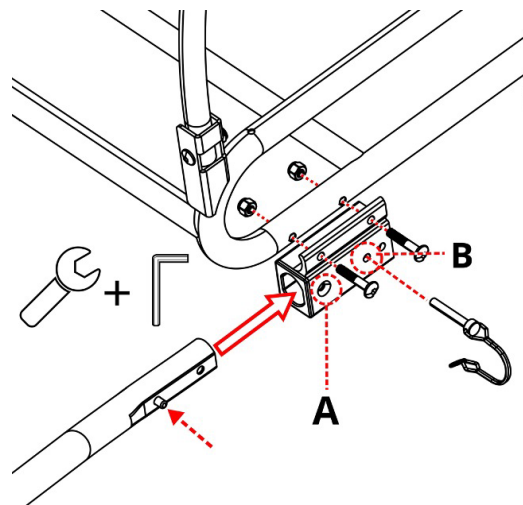


Figure 9

9. ATTACHING TRAILER TO BICYCLE

a. Quick Release Axle

Remove the quick release from the left side of bike's rear axle. Install the hitch between the quick release and frame. Tighten the quick release following the bike manufacturer's manual. Hitch can remain on the bike when the trailer is removed (Figure 10).

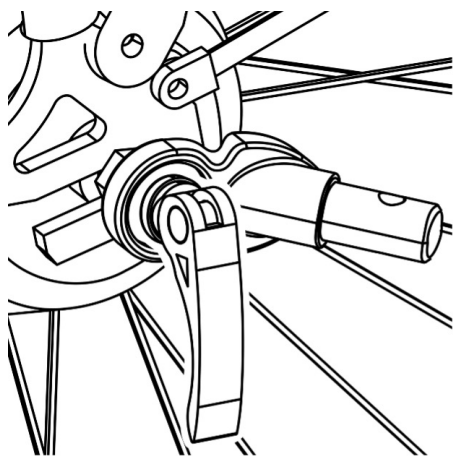


Figure 10

⚠ WARNING

The tension-adjusting nut must engage the threads for at least five full turns in order to ensure adequate clamping force for holding the rear wheel securely. Failure to tighten the tension-adjusting nut fully may result in accidents with serious injury or death. If the quick release skewer is too short, it must be replaced. Consult a professional bicycle mechanic for the appropriate parts and assistance.

b. Nutted Axle

Unscrew the nut with washer from the left side of bike's rear axle. Install the hitch onto the axle and screw the nut back on with the washer (Figure 11).

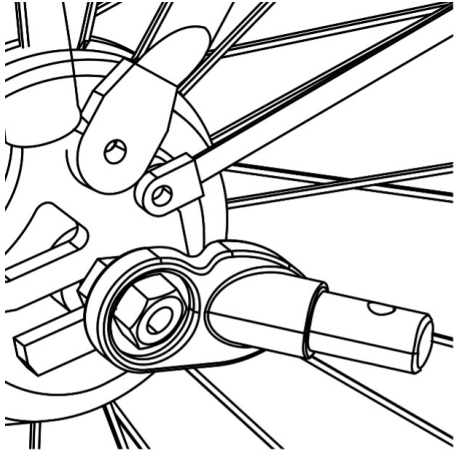


Figure 11

⚠️ WARNING

The axle nut must engage the threads for at least five full turns in order to ensure adequate clamping force for holding the rear wheel securely. Failure to tighten the nut fully may result in accidents with serious injury or death. If the axle is too short, the Universal Hitch cannot be used! Consult a professional bicycle mechanic for the appropriate parts and assistance.

c. Thru Axle

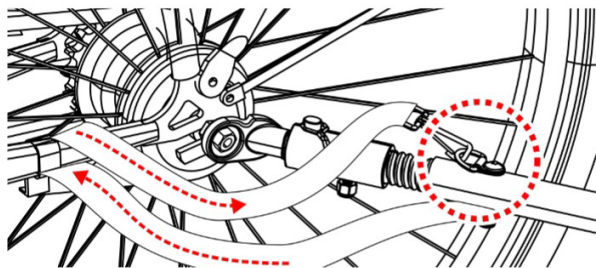
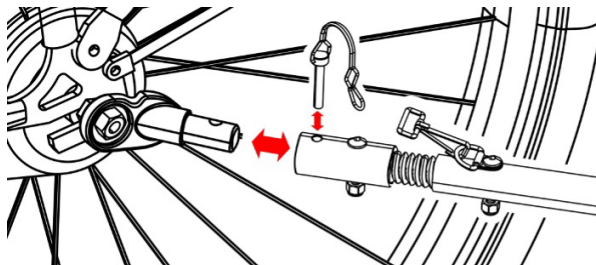


Figure 12

The universal hitch doesn't fit a bike with thru axle. Please consult the retailer for possible solution.

Connect the coupler on the tow bar and secure the safety pin (Figure 12).

Once the tow bar is attached, wrap safety belt around the frame of the bike and hook onto the D-ring on the tow bar.

10. BEFORE YOU RIDE

Check before each use:

1. Wheels are properly secured to the trailer
2. Tires are inflated to recommended pressure on the tire side wall
3. Tow bar is properly secured to the trailer
4. Hitch is properly secured to the bicycle
5. All safety pins are securely locked in place.
6. Safety strap on the tow bar is properly installed
7. Weight of tow bar at coupler is greater than 4.4 lbs. but does not exceed 22 lbs. with fully loaded trailer
8. Make sure that bicycle is in proper working order, especially brakes and tires (refer to bicycle manufacturer's instructions)
9. Safety flag is in place
10. Always leash your dog/pet in the trailer.

11. MAINTENANCE AND CARE

STORAGE: For longer product life, store trailer indoors. The trailer should not be stored at temperatures less than -10°F (-23°C) or greater than 150°F (65°C).

FABRIC CARE: Hand wash fabric parts with warm water and mild soap. DO NOT use bleach or solvents. Wipe dry and store out of direct sunlight in a dry, well-ventilated area. Clean windows with a damp, soft cloth.