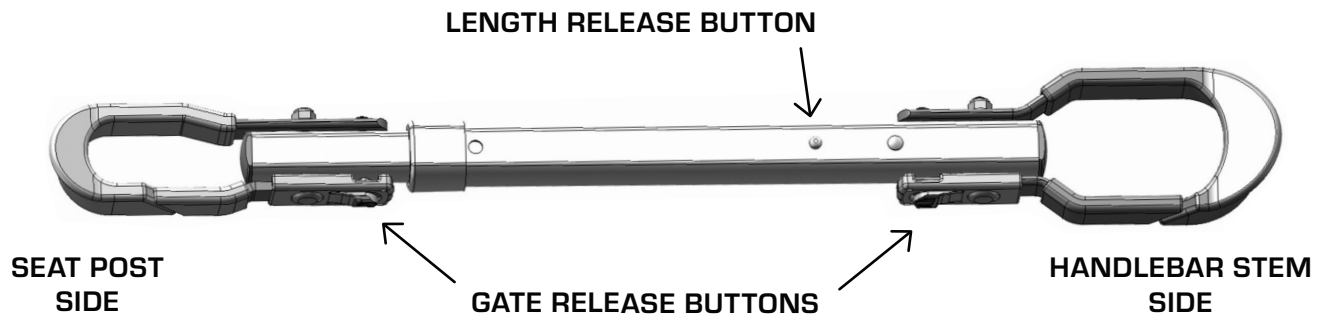


# BIKE ADAPTER BAR

How to correctly install your bike adapter bar. This bar creates a top tube for bikes, allowing the bike to be securely mounted on most platform mounted hitch rack systems. This bar is not to be used with a trunk rack, or hanging style hitch rack.



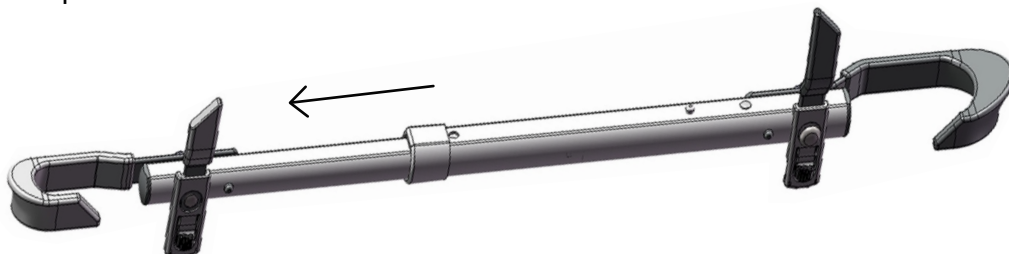
## STEP 1

Push the gate release buttons and rotate gates open.



## STEP 2

Push the length release button and pull "seat post" side out.



### STEP 3

Adjust length of the Bike Adapter Bar and place large loop end around the handlebar stem (or headset) and small loop end around the seat post.



### STEP 4

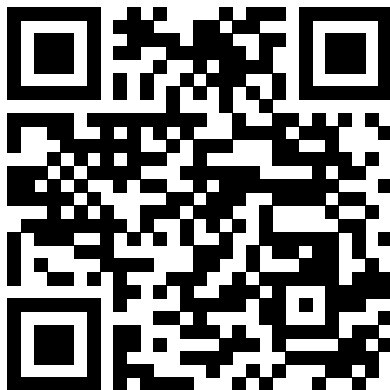
Rotate the gates so they "CLICK" into the locked position. Installation is now complete and ready to mount your bike on the rack.

To remove the Bike Adapter Bar, reverse the steps above.

**CAUTION:** Always double check to make sure the Bike Adapter Bar is correctly installed on the bike and that the bike is securely attached to the rack before driving your vehicle.



## LECTRIC EBIKES WARRANTY POLICY



[lectricebikes.com/warranty](https://lectricebikes.com/warranty)

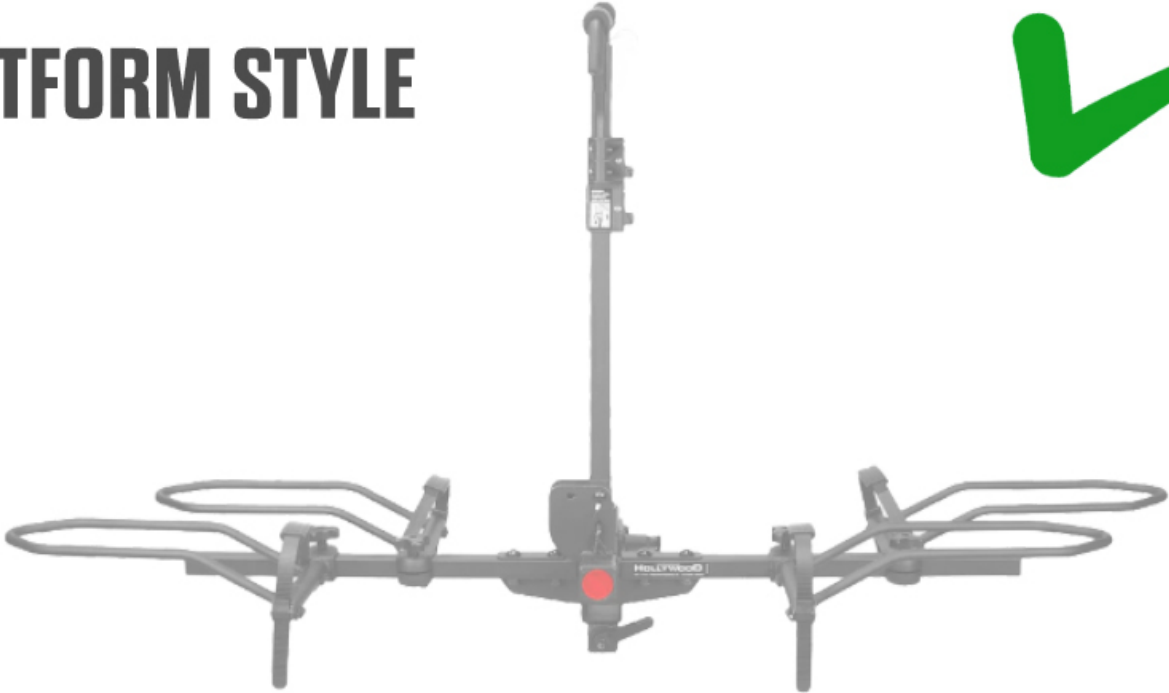
Lectric eBikes | 2311 W. Utopia Rd. Phoenix, AZ 85027 | Part: 226-00355-A001  
contact@lectricebikes.com | (602) 715-0907 | Customer Service: 9am-5pm MST, Mon-Fri | [www.lectricebikes.com](https://www.lectricebikes.com)



# DO'S AND DON'TS

---

**PLATFORM STYLE**



**TRUNK RACK**



**HANGING STYLE**

