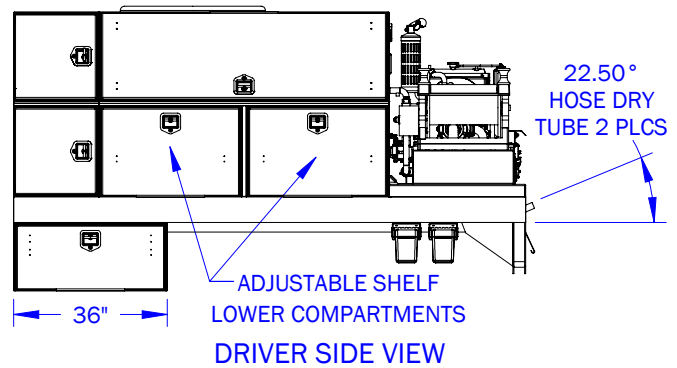
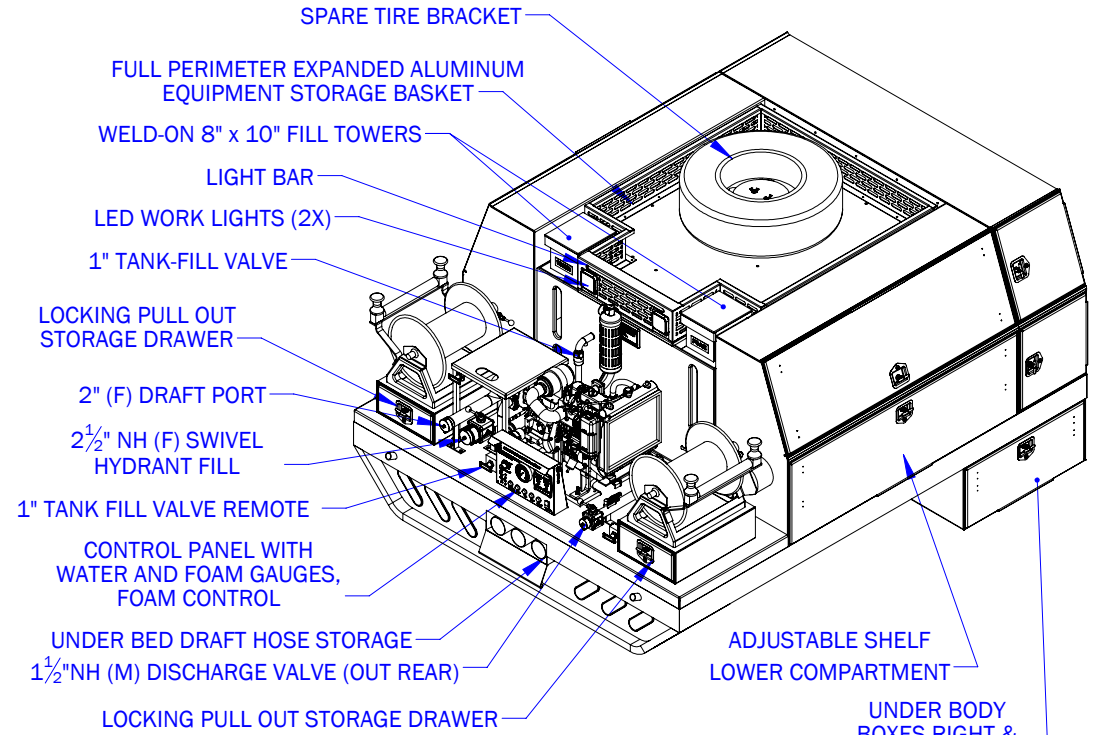



NOTE: ALL STORAGE BOXES CONSTRUCTION FROM DIAMOND-PLATE ALUMINUM



POLYPROPYLENE TANK:
52" W x 66" L x 32 1/8" H
WATER: 400 GALLONS
FOAM: 10 GALLON CELL

PUMPER SYSTEM:
FOAM SYSTEM: FOAM-FLO
MOTOR: 26HP KUBOTA DIESEL
PUMP: DARLEY 24K AGE
REEL: HANNAY F4024-17-19 (2X)
1/3 HP REWIND MOTOR
HOSE: 100' x 3/4" @ 800PSI EACH
THREADS: NPSH

CUSTOMER APPROVAL BY:		CASCADE FIRE EQUIPMENT COMPANY P.O. BOX 4248 MEDFORD, OR. 97501-	
		CUSTOMER: ARBUCKLE	
400 GALLON SKID UNIT			
QTY: ONE (1)	DRAWN BY: L. MOLLMAN	SALES: MATT B.	REV. A
SHEET: # 1 OF 1	JOB: #890	DATE: 12/14/2020	