



WORX RACING Sea-Doo GTR Rear Exhaust

PART # - WR04013

MODELS: Sea-Doo GTR MODELS

INSTALLATION INSTRUCTIONS

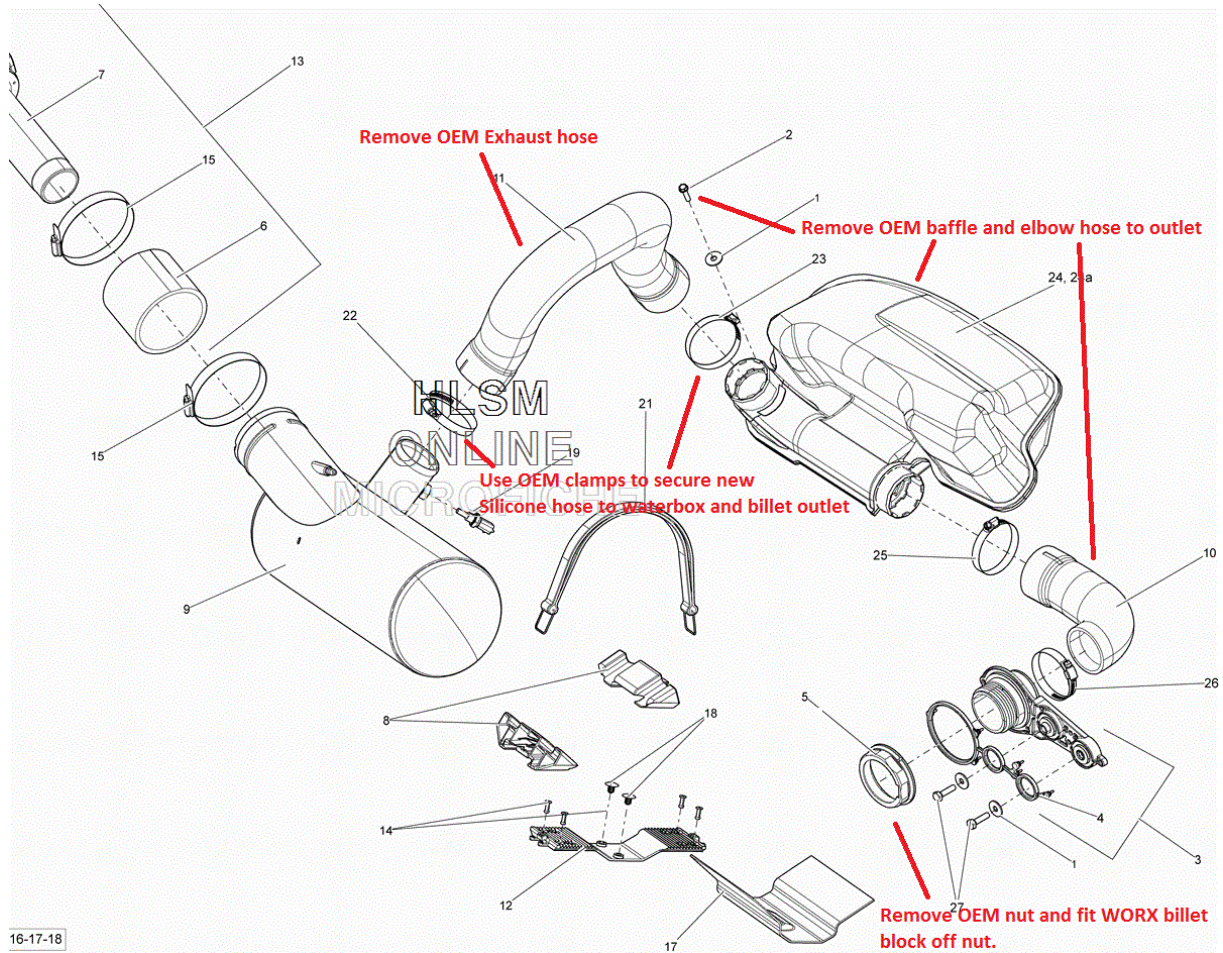
IMPORTANT: READ ALL INSTRUCTIONS BEFORE PROCEEDING WITH INSTALLATION

- 1- Make sure ski is secure and on a flat surface. Remove lanyard and disconnect battery.
- 2- Remove OEM cross over hose from water box to sound baffle. Retain OEM clamps.
- 3- Remove sound suppression baffle and hose elbow hose connected to thru hull fitting. Discard baffle. Retain OEM clamp. Note baffle is secured at front by 10mm screw or rivet that need to be removed before baffle can be extracted.
- 4- Remove the OEM exhaust nut on the outside of hull in pump area. Run a small bead of silicone around the edge of the supplied WORX block off nut and secure onto OEM thread to block original exhaust outlet.
- 5- Fit cut out template onto right side of hull and mark centre of hole. Remove template and drill hole for outlet using 2 3/4 inch / 70mm hole saw bit. Install WORX billet outlet into hole and mark and drill all 6 holes. Remove outlet and clean all dust and debris. Run a bead of marine silicone around inner edge of the outlets and secure into place with supplied M6 bolts and retaining ring. Tighten bolts in number order a few turns at a time so the securing ring pulls up evenly on the inside of the hull. **DO NOT over tighten bolts.** Clear away and excess silicone.
- 6- Install WORX Silicone hose to outlet and waterbox and secure with OEM clamps. **DO NOT overtighten clamps.**
- 7- Ziptie clear bilge tubes back onto high crossover part of exhaust.
- 8- Check ski for tools etc. Re connect battery and run on flush hose to check for leaks.

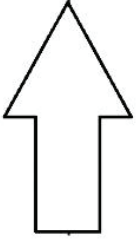
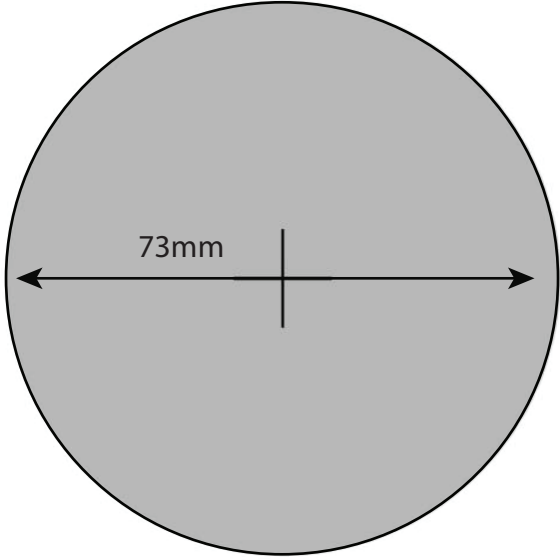
Thank you for purchasing **Worx Racing components** products. We firmly believe that **Worx Racing Components** products are among the finest watercraft parts available. A great deal of time and effort has gone into the design and development of this product to ensure that it will perform to the highest standard and that installation is a relatively straight forward and simple procedure. If you have any questions or comments on the performance and/or installation of our products please contact us at the numbers listed on page one or through your local **Worx** dealer.

8B 354 Brisbane Rd Arundel QLD 4214 Phone: +61 7 5563 1031

www.worx.com.au / info@worx.com.au



PRINT AT 100% SCALE



IBR GUARD



DRAIN BUNG

