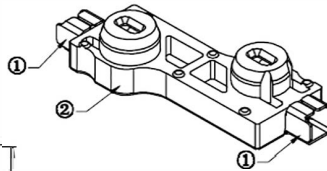
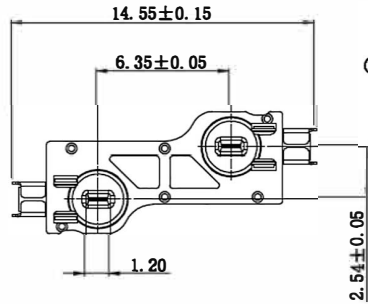


Technical parameters:

Voltage:	12 VAC/DC max	2 VDC min
Current:	10mA AC/DC max	10µA DC min
Insulation Resistance:	100MΩ at 100V(min)	
Initial Contact Resistance:	200mΩ max	
Storage Temperature:	-20°C to +70°C	
Flammability Rating:	UL94HB	
Solderability:	Reflow soldering, 3 seconds at 260±5°C	
Long life :	3,000 cycles	



B-B



$0.10^{+0.05}_{-0.1}$

