



## PISTON COMPRESSORS

Service Kits & Consumable  
Spares

2019 - Issue 1



**Fast.**

Thanks to a smart design and low weight materials, AIRnet can be installed up to 85% faster than conventional systems.

**Easy.**

AIRnet pipes and fittings are assembled in just a few steps by a single installer, without the need for heavy machinery.

**Reliable.**

The durable, corrosion-free AIRnet pipes and fittings come with a 10-year warranty. Low friction and seamless connections minimise pressure drop.

GUARANTEE

**10  
YEARS**

★★★★★



# Contents



Three reasons to use ABAC Original Parts.	4
Tailored Lubricants	6
• Performance kits	8
• Pumps	10
• Filter	12
• Gaskets	13
Pump Diagram and Service Kits:	
• A29(B) Diagram and Service Kits	14
• A39(B) Diagram and Service Kits	14
• B28(B) Diagram and Service Kits	16
• B38(B) Diagram and Service Kits	16
• B49 Diagram and Service Kits	18
• B59 Diagram and Service Kits	20
• B60 Diagram and Service Kits	22
• B70 Diagram and Service Kits	22
• Motors	24
• Valves and Pressure Gauges	26
• Tubes and Belt Guards	28
• Motor Pulleys	29
• Wheel Kits, Anti-Vibration Elements and Condensate Drains	30
• Pressure Switches	31



# Extend the lifetime of your compressor with ABAC Original Parts.

## Three reasons to use ABAC Original Parts

### Extend lifetime of your compressor

As non-genuine parts don't meet the same standards as ABAC Original parts, they have a negative impact on the wear of your compressor and reduce the reliability and lifetime of your installation. ABAC Original Parts designed to the same standards as your equipment and have passed the severe endurance tests. The ABAC mission is to extend the lifetime of your compressed air installation.

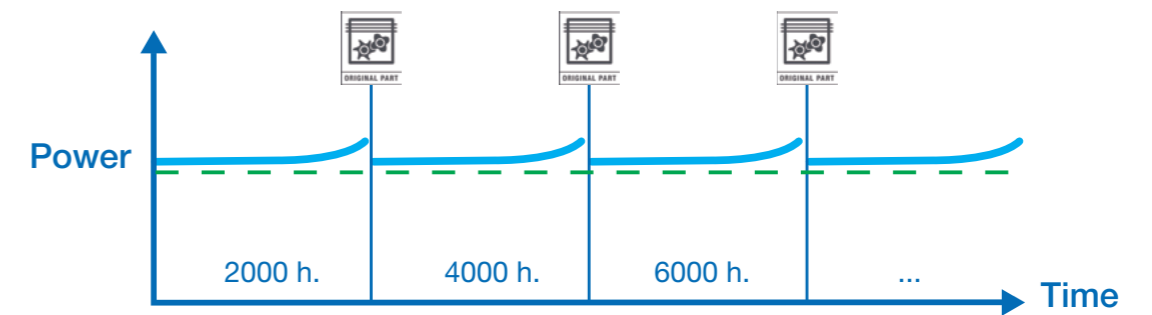


## Reduce costs and save energy

Unprofessional maintenance might lead to supplementary unpredictable high cost due to piston failure, wear, break-down cost, reduced lifetime and even to contamination of the compressed air supply.

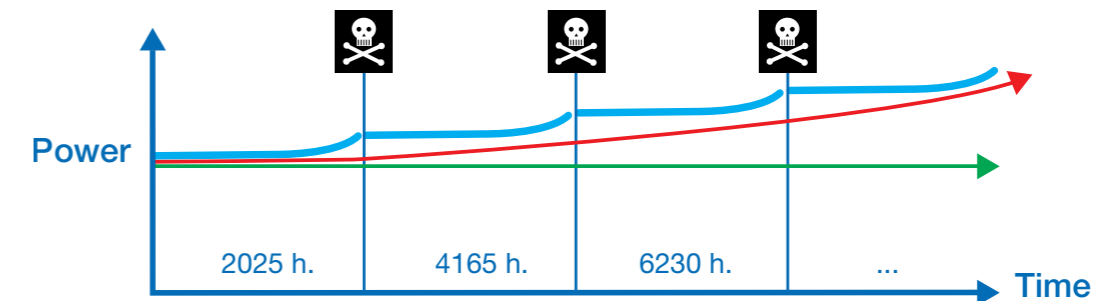
Respecting service intervals and using ABAC Original Parts increase the lifetime of your compressed air installation and cause a minimal average pressure drop, which leads to energy savings and cost effectiveness.

'Original Part' spare part and services



Maintenance with genuine spare part & professional service

Non genuine spare part and services



Maintenance with non genuine spare part, unprofessional service or extending maintenance intervals

## Get maximum performance and efficiency

Breakdown of your compressor would not only be costly, but could also cause your revenues reduction or even business loss. With ABAC Original Parts increase the reliability of your compressor by reducing the risk of breakdown.

Look for your quality assurance!





## Tailored Lubricants

### Benefits:

- Warranty of compressor
- Maximum performance & efficiency
- Tested and approved for all applications & environments
- Significantly increased reliability & absolutely minimised risks
  - Extended lifetime of your compressor
  - Firm grip on maintenance cost

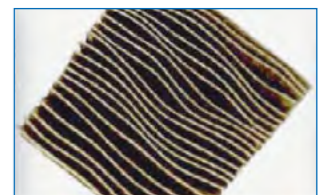
**Altair chemical properties are specifically engineered to maximize the reliability of every single component of your compressor.**

### Piston Compressor Oil

Description	Part Number	Applications
Altair 1L	6215716300	Industrial environment. General industry
Altair Plus 5L	6215715800	Fully synthetic, heavy load.

The use of low performance lubricants will irreversibly damage your equipment and lead to high maintenance and repair cost. The use of ABAC engineered lubricants will help you to reduce the risk of:

- piston failure
- wear of components, increased friction, cavitations
- reduced cooling, overheating bearings, components
- reduced critical clearance
- corrosion
- wrong pH damage of parts, seals and internals
- low performance, higher energy consumption
- deposits
- high unpredictable maintenance cost
- clogging of air filters
- limited operation range.



In compressors, oil & air are in close contact. A mist of lubricant is repeatedly exposed to large volumes of hot air, **ideal oxidising conditions**.

### Oil Oxidation

#### Causes

- High operating temperature
- High deposit formation
- No additives to disperse or deterge oxidation products and soluble organic acids



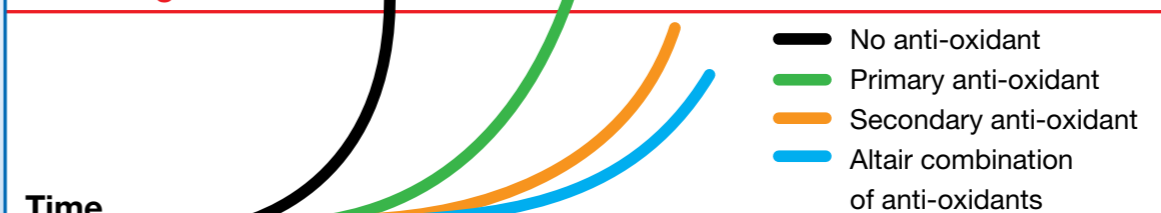
### Reduced oil lifetime

#### Effect (sludge)

- Deposit formation
- Oil thickening
- Lacquering
- Colour changes

**Anti-oxidant additives** delay the oxidising process, deposit and acid formation to **extend oil lifetime** and protect equipment during stand-still period.

### Oil change is due



# Piston Spare Parts

## Performance kits

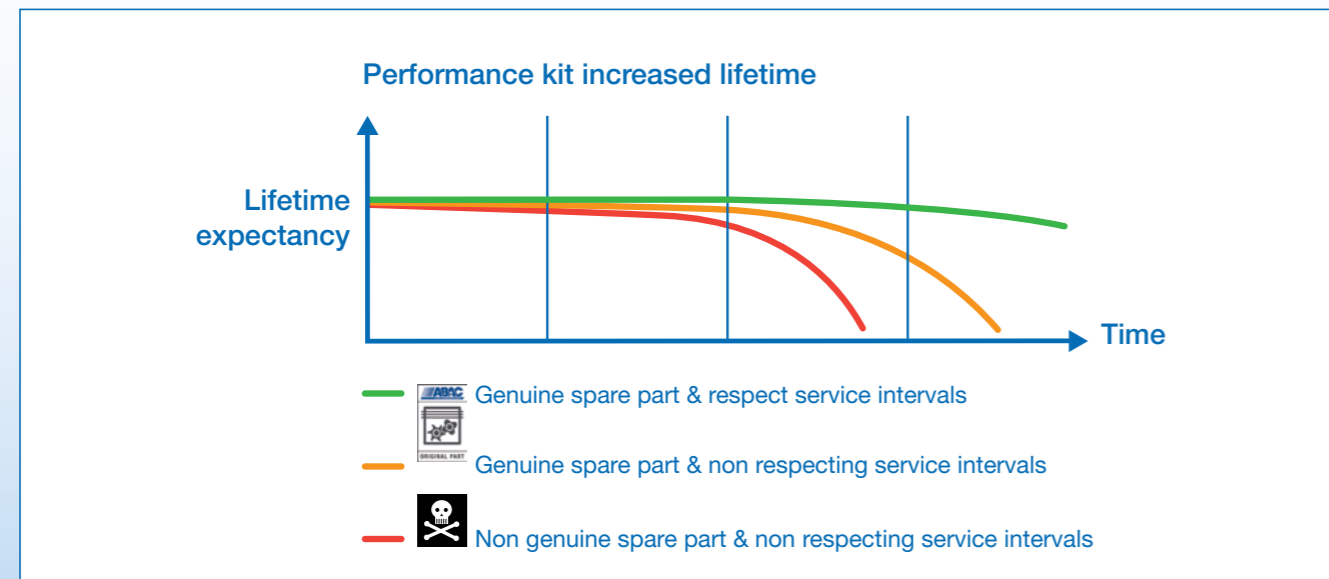
### Kit components:

- head and cylinder plate gaskets
- intercooler and aftercooler gaskets
- valve plate assembly (or internals)
- filter element
- non-return valve internals.



### Benefits:

- One single kit
- Extended lifetime
- Cost effective
- Detailed maintenance instructions
- With and without approved and certified lubricant Altair
- Easy and cost efficient inventory management



### How to identify the type of Performance Kit you need:

- 1) Look at the first 3 characters at the label of your compressor
- 2) Find the appropriate type of the performance kit in the table below



## Performance Kits

Pump	Yearly Kit	Part Number
A29(B)&A39(B)	Performance kit	8973037657
B28(B)&B38(B)	Performance kit	8973037620
B39 & B40	Performance kit	8973037622
B49	Performance kit	8973037624
B50	Performance kit	8973037626
B59	Performance kit	8973037628
B60	Performance kit	8973037632
B60 SILENT	Performance kit	8973037646
B70	Performance kit	8973037636
B70 SILENT	Performance kit	8973037648
NS39	Performance kit	8973037638
NS59S	Performance kit	8973037640
NS89	Performance kit	8973037644
CV34	Performance kit	8973037651

# Pumps

## Oilless direct drive compressors pumps



O20P

- Aluminium heads and cylinders with large cooling fins for better cooling.
- Strip stainless steel valves for higher output.
- Forced cooling with air conveying for better heat loss.

## Lubricated direct drive compressors pumps



L20



L20P



L30P



GV34

- Low current absorption.
- Single phase electric motor with overheating thermal protection.
- Robust, light and compact.
- Final 100% testing.

## Pumps

Model	Part Number	Air displacement				Motor				Max press	
		Cylinder	Stage	l/min	CFM	HP	KW	RPM	Volt/Hz	bar	psi
OL 250/100	4116090224	1	1	250	8.8	2.5	1.9	2850	110/50	8	116
OM231	4116090209	1	1	230	8.1	2	1.5	2850	230/50	8	116
F 241	6218739700	1	1	240	8.5	2	1.5	2850	230/50	8	116
L20	4116091301	1	1	222	7.8	2	1.5	2850	230/50	8	116
O20P	4116091165	1	1	230	8.1	2	1.5	2850	230/50	8	116
L20P	4116091302	1	1	240	8.4	2	1.5	2850	230/50	8	116
L30P	4116091303	1	1	310	10.9	3	2.2	2850	230/50	10	145
GV34	6218739500	2	1	340	12	3	2.2	1450	230/50	10	145
D4	4116090030	1	1	315	11.1	3	2.2	2850	400/50	8	145

## Single stage belt driven compressors pumps



A39B



A29B

- Aluminium heads with large cooling fins for better cooling.
- Larger oil sump for better lubrication.
- Special valve plates with higher load resistance.

## Two stages belt driven compressors pumps



B49



B59



B60

- Powerful, quiet and safe.
- Suitable for heavy-duty applications.
- Designed for longer life.
- Low energy consumption.
- Two stage pumps with intermediate cooling between compression stages.



B70



BV8900

## Pumps

Model	Part Number	Air displacement				Motor				Max press	
		Cylinder	Stage	l/min	CFM	HP	KW	RPM	Volt/Hz	bar	psi
A29	4116090307	2	1	320	11.2	3	2.2	1075	230/50	10	145
A29B	4116090308	2	1	320	11.2	3	2.2	1075	230/50	10	145
A39	4116090309	2	1	393	13.8	3	2.2	1075	230/50	10	145
A39B	4116090310	2	1	393	13.8	3	2.2	1075	230/50	10	145
B28	6218741800	2	1	254	9	2	1.5	1250	230/50	10	145
B28B	6218739200	2	1	320	11.3	3	2.2	1570	230/50	10	145
B38	4116090004	2	1	387	13.7	3	2.2	1100	230/50	10	145
B38B	6218739400	2	1	387	13.7	3	2.2	1100	230/50	10	145
B49/A	6218739600	2	2	514	18.1	4	3	1400	400/50	11	160
B59	6218740200	2	2	653	23.1	5.5	4	1400	400/50	11	160
B60	6218740100	2	2	827	29.2	7.5	5.5	1400	400/50	11	160
B70	6218740000	2	2	1210	42.7	10	7.5	1300	400/50	11	160

A 'B' at the end of pump model signifies an aftercooler where there is an option for with or without.

# Spare Parts

## Air Intake Filters

Part Number	Pump
2236108116	Air intake filter for OM231
2236102225	Air intake filter for D4, D3, O20P
8973035878	Air intake filter for L20
2236108103	Air intake filter for L20P, L30P
6211453700	Air intake filter for GV34
2236112835	Air intake filter for A29, A39B
6229020500	Air intake filter for B28(B) & B38(B)
6211471500	Air intake filter for B49
2236102168	Air intake filter for B50 & B59
2236110427	Air intake filter for B60
2236102224	Air intake filter for B70
2236110428	Air intake filter for B70S



## Air Filter Elements

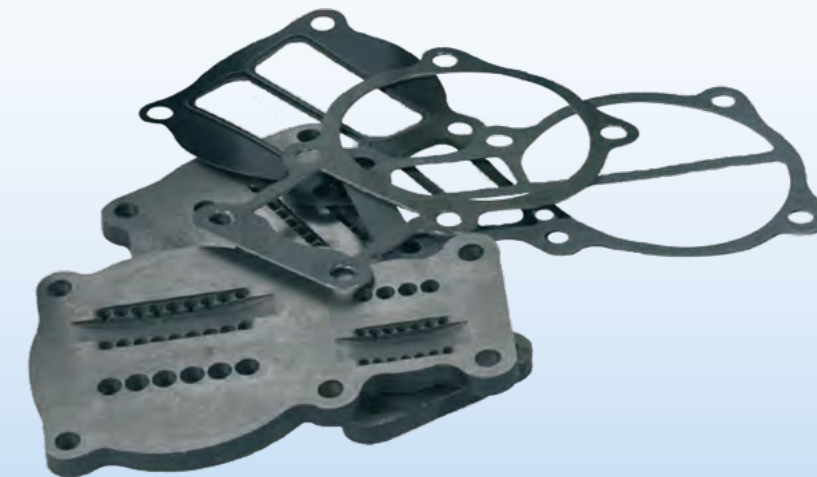
Part Number	Pump	Description
2236108115	Air intake filter element for OL231, F241	
8973035119	Air intake filter element for B28(B), B38(B) & B49	Black foam
8973035122	Air intake filter element for B59, B60 & B6000-LN	Square black foam
6211452400	Air intake filter element for B59	Paper filter from July 2005, lot 262357
8973037390	Air intake filter element for B6000-LN & B7000-LN	101od x 87id x 103L
8973035133	Air intake filter element for B60 & B70	90od x 50id x 180L (Aug 04 - 2011)
8973015500	Air intake filter element for B60 & B70	92od x 60id x 180L (2011 onwards)
8973035132	Air intake filter element for B70 & B7000-LN	100od x 65id x 120L (old style)
8973035304	Air intake filter element for B70	140od x 95id x 65L (old style)

## Gasket Kits

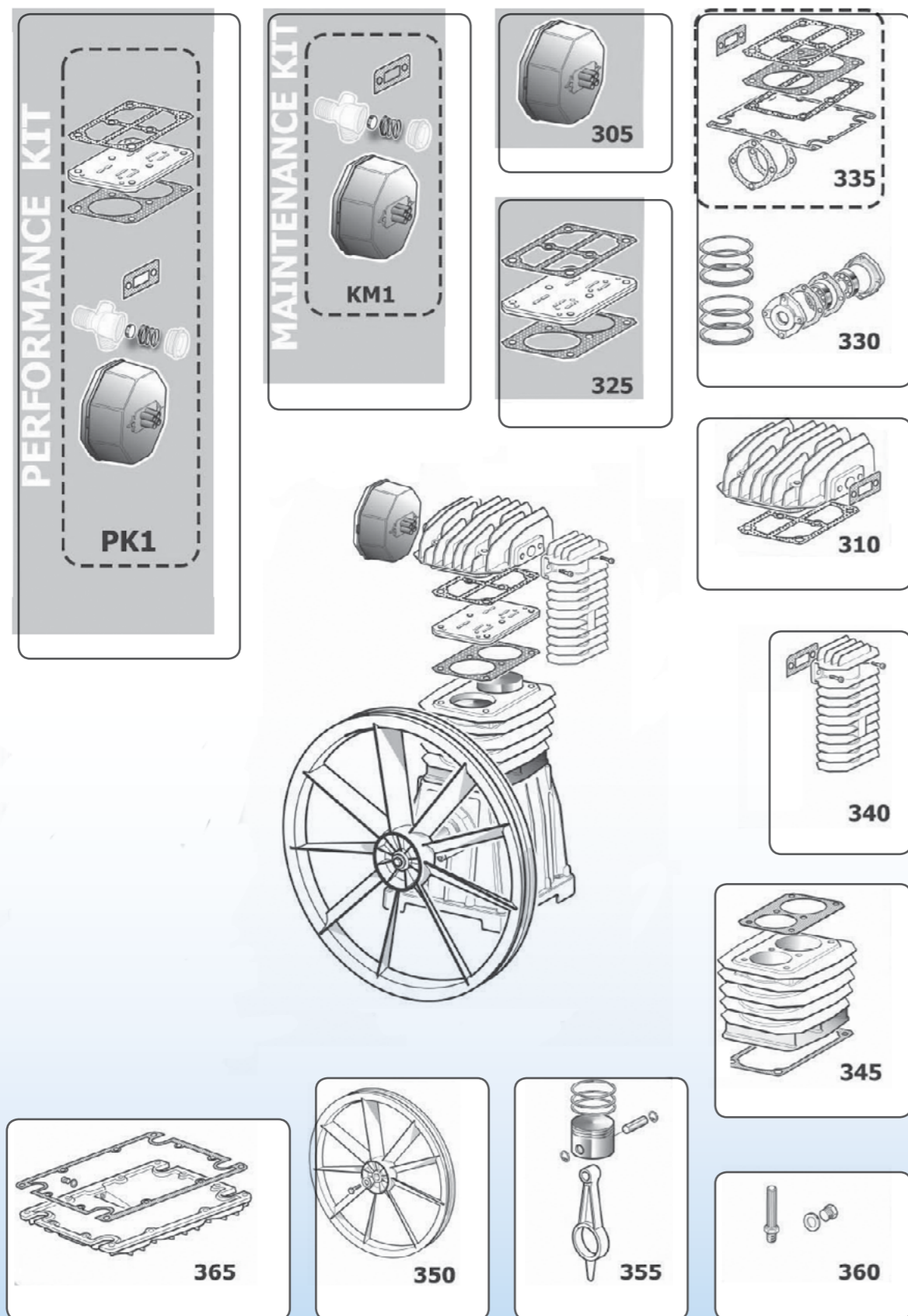
Part Number	Pump	Description
6231630400	OL231, OM231	Cylinder
6231630500	OL231, OM231	Valve Plate
6229023700	F241	Gasket Kit
2236108150	D4, F260	Gasket Kit
8973037248	GV34	Gasket Kit
6229023600	B28(B) & B38(B)	Gasket Kit
2901325045	A29(B) & A39(B)	Gasket Kit
8973035118	B49	Gasket Kit
8973037264	B59	Gasket Kit
8973035123	B60	Gasket Kit
8973035130	B70	Gasket Kit

## Valve Plates

Part Number	Pumps
6229025200	OL231, OM231, F241, OL250
2236108136	D4
6223204400	CV 34
6229024900	B28(B) & B38(B)
2236112518	A29(B) & A39(B)
6210717280	B49
6210716980	B59
6210717300	B60
6210717400	B70



## A29(B) and A39(B) Pump Explosion



### A29 (B) Spare Part Kits

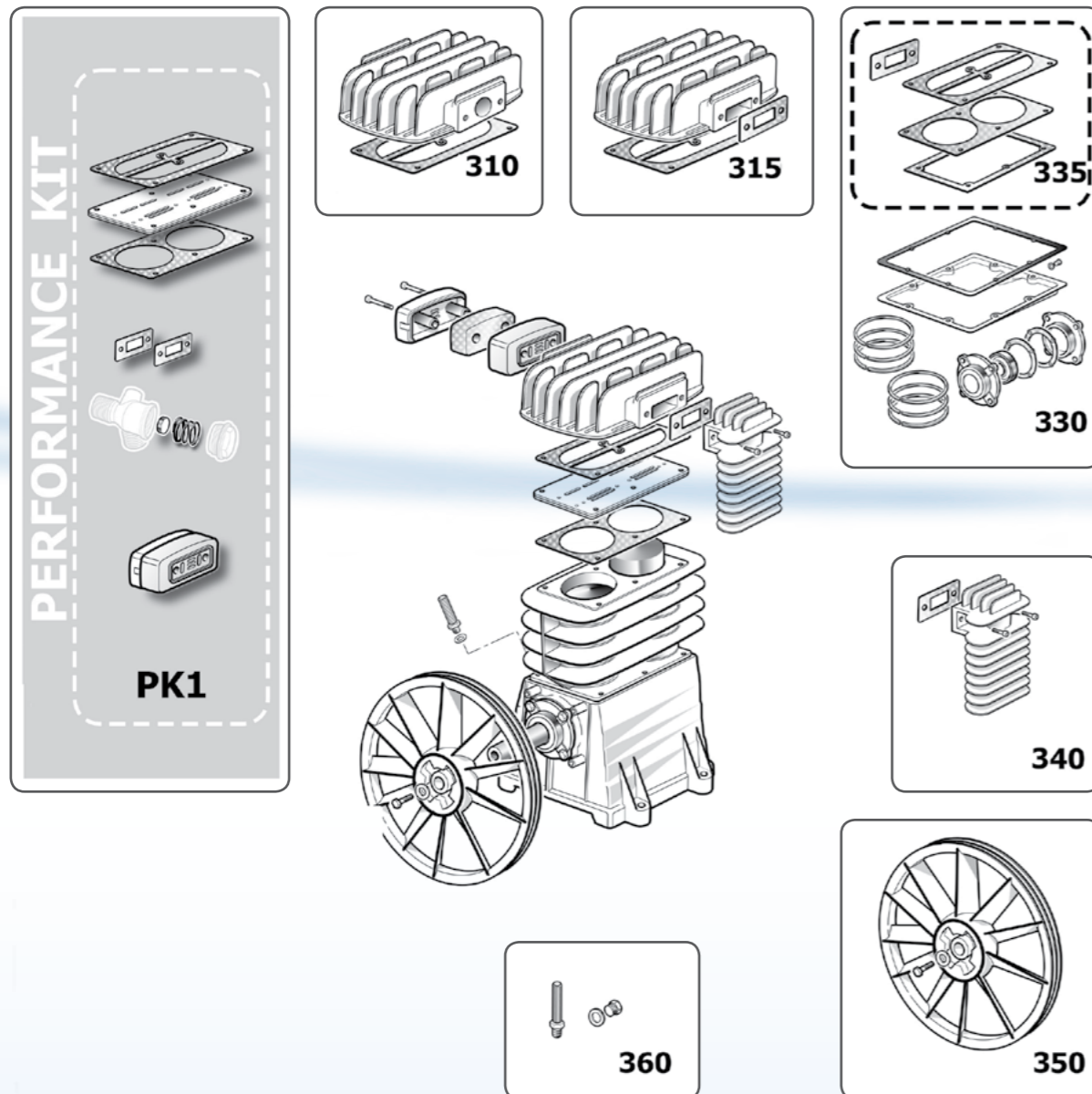
Pump Kit	Description	A29B - 4116090308
305	Air Filter Complete	2236112835
310	Cylinder Head Kit	2901325044
325	Valve Plate Kit	2236112518
330	Upgrade Kit	2901325046
335	Gasket Kit	2901325045
340	Aftercooler Kit	2236112794
345	Cylinder Gasket Screw Kit	2236112434
350	Flywheel Kit	2901325048
355	Piston Conrod Kit single stage	2236111619
360	Oil Level Kit	2901325049
365	Crankcase Kit	2236112437
KM1	Maintenance Kit	8973037864
PK1	Performance Kit	8973037657

### A39 (B) Spare Part Kits

Pump Kit	Description	A39B - 4116090310
305	Air Filter Complete	2236112835
310	Cylinder Head Kit	2901325044
325	Valve Plate Kit	2236112518
330	Upgrade Kit	2901325046
335	Gasket Kit	2901325045
340	Aftercooler Kit	2236112794
345	Cylinder Gasket Screw Kit	2236112435
350	Flywheel Kit	2901325050
355	Piston Conrod Kit single stage	2236111620
360	Oil Level Kit	2901325049
365	Crankcase Kit	2236112438
KM1	Maintenance Kit	8973037864
PK1	Performance Kit	8973037657



## B28(B) and B38(B) Pump Explosion



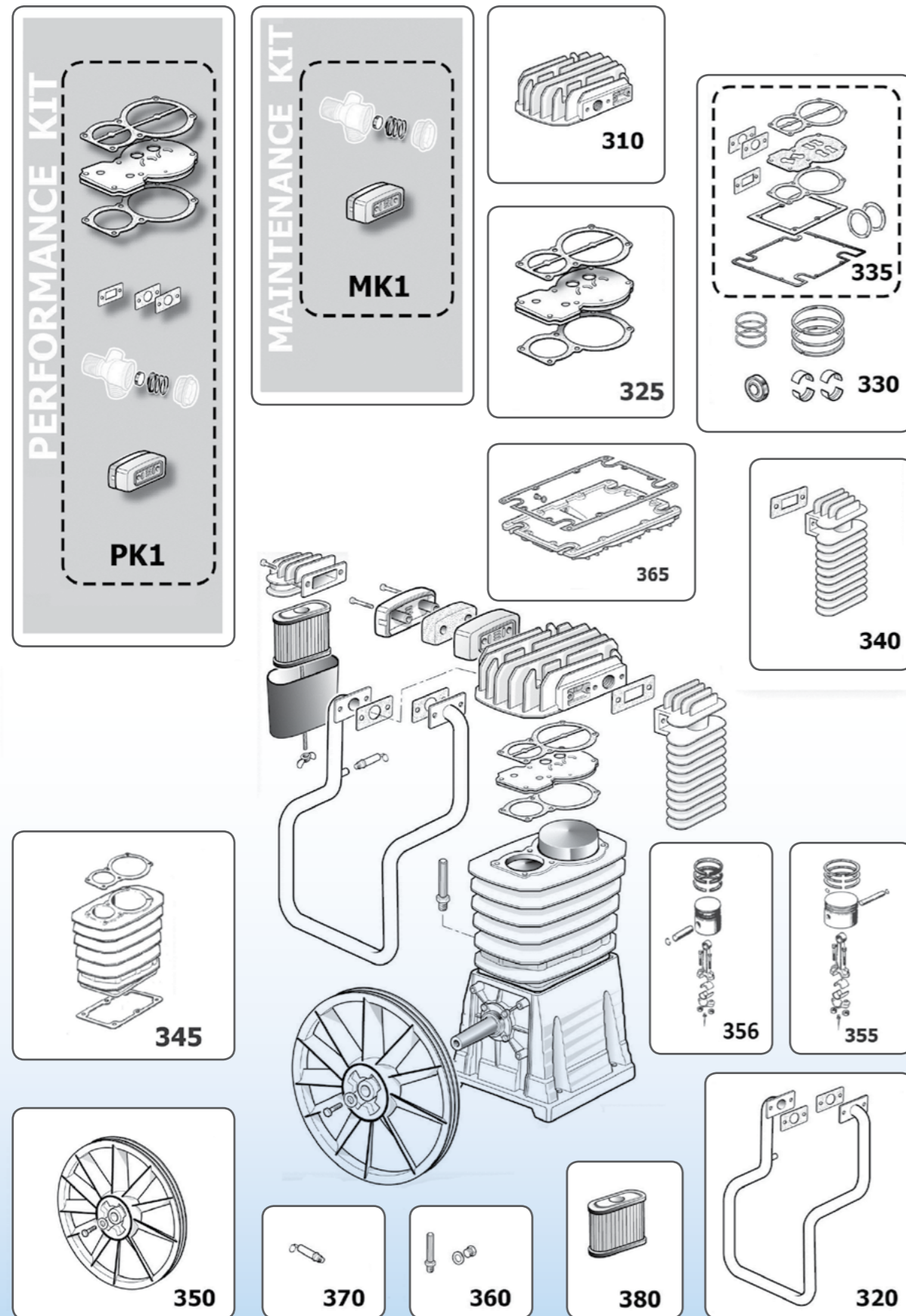
### B28 (B) Spare Part Kits

Pump Kit	Description	B28 - 6218739200
315	Cylinder Head Kit for Aftercooler	6229024000
330	Upgrade Kit	2901324933
335	Gasket Kit	6229023600
340	Aftercooler Kit	6229020400
350	Flywheel Kit	6229023400
360	Oil Level Kit	6229021000
PK1	Performance Kit	8973037620

### B38 (B) Spare Part Kits

Pump Kit	Description	B38 - 4116090004
310	Cylinder Head Kit	6229023900
315	Cylinder Head Kit for Aftercooler	6229024000
330	Upgrade Kit	2901324900
335	Gasket Kit	6229023600
340	Aftercooler Kit	6229020400
350	Flywheel Kit	6229020900
360	Oil Level Kit	6229021000
PK1	Performance Kit	8973037620

### B49 Pump Explosion

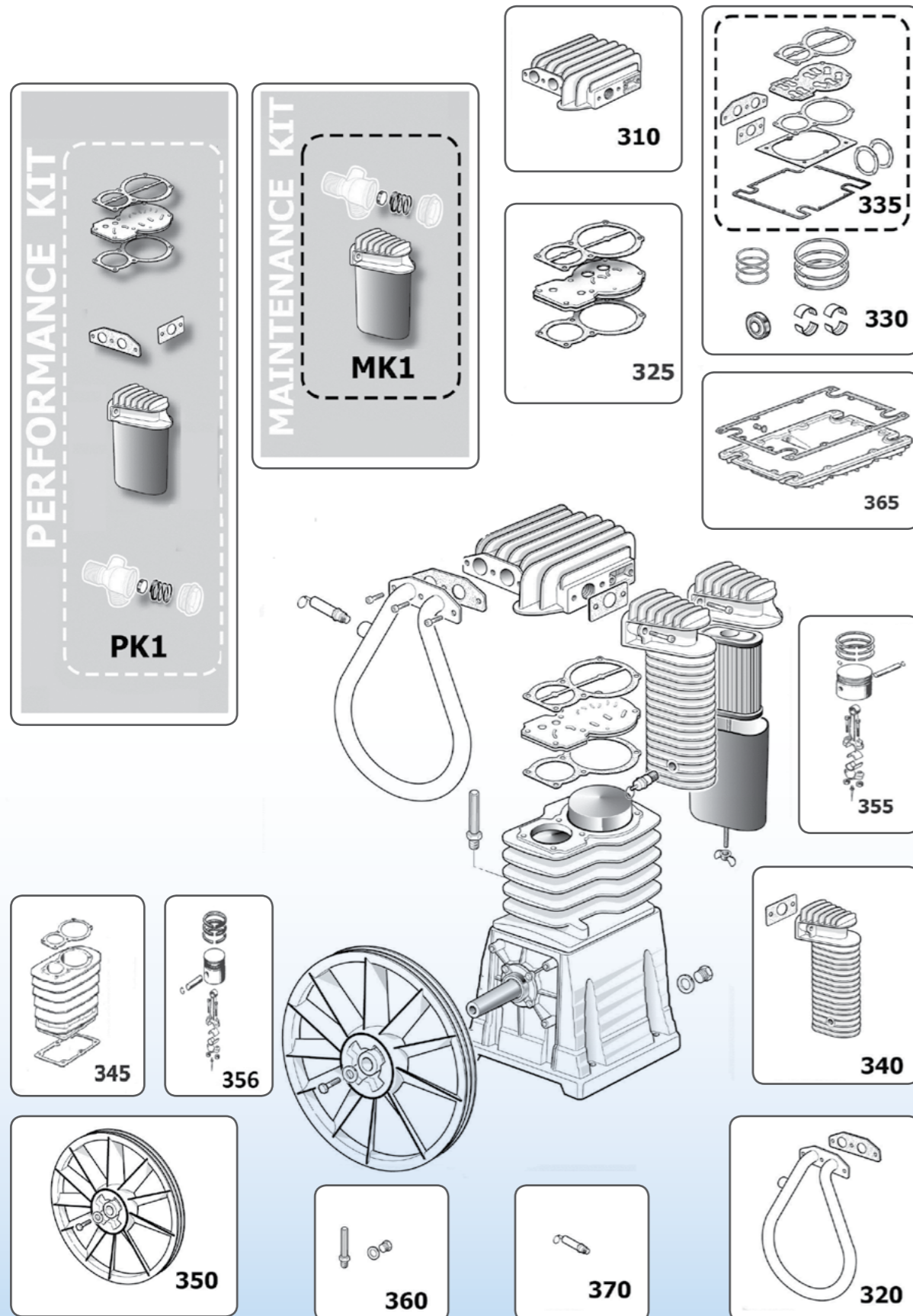


### B49 Spare Part Kits

Pump Kit	Description	B49 - 6218739600
310	Cylinder Head Kit	2901324960
320	Intercooler Kit	2901324961
325	Valve Plate Kit	2236112796
330	Upgrade Kit	6229017300
335	Gasket Kit	8973035118
340	Aftercooler Kit	2901324962
345	Cylinder Gasket Screw Kit	2236112800
350	Flywheel Kit	6229017600
355	Piston Conrod Kit LP	2236112798
356	Piston Conrod Kit HP	2236112797
360	Oil Level Kit	2901324950
365	Crankcase Kit	2236112799
370	Valve Kit	6210716600
380	Filter Cartridge	8973035059
MK1	Maintenance Kit	8973037867
PK1	Performance Kit	8973037624



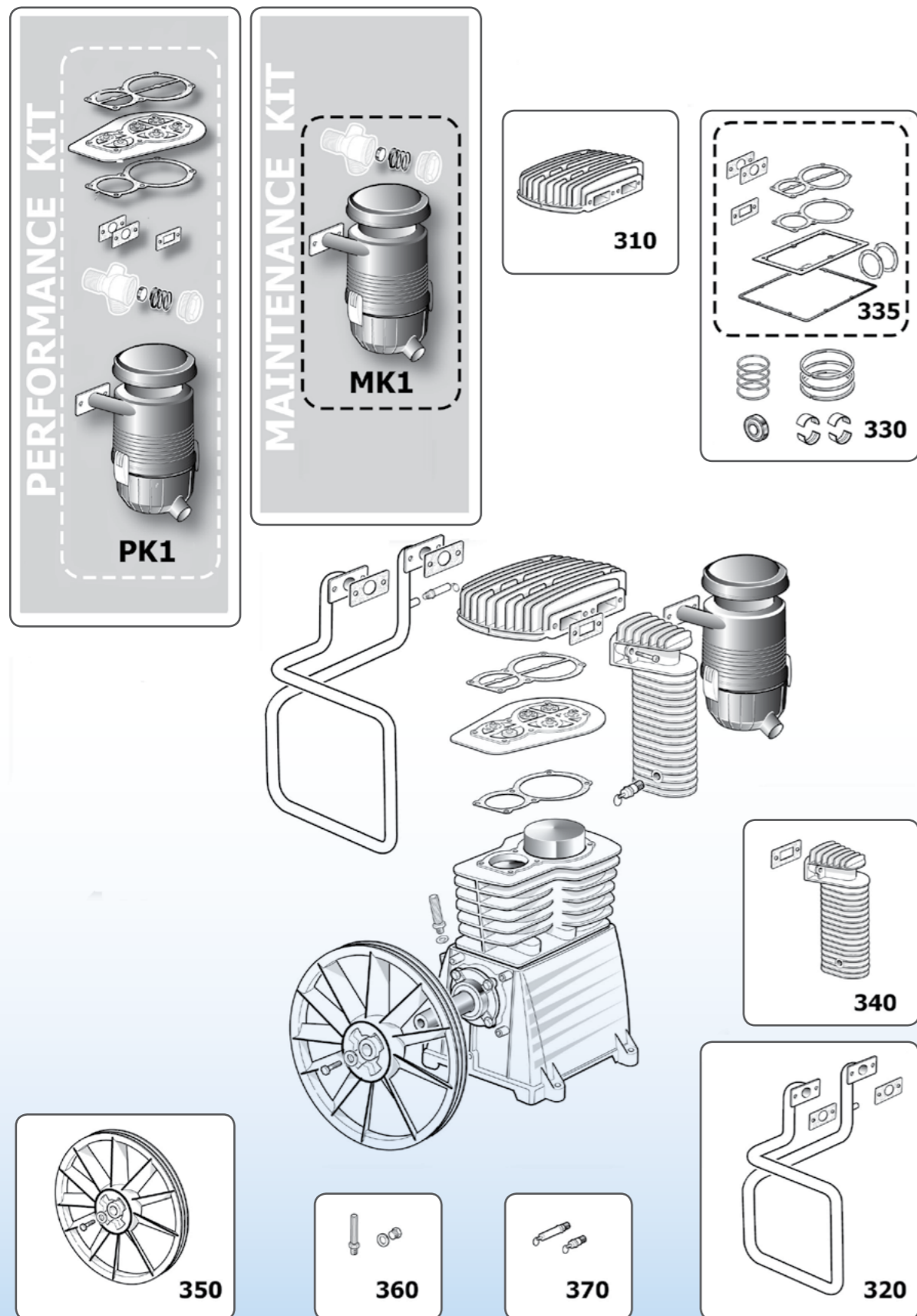
# B59 Pump Explosion



## B59 Spare Part Kits

Pump Kit	Description	B59 - 6218740200
310	Cylinder Head Kit	2901324964
320	Intercooler Kit	2901324965
325	Valve Plate Kit	2236112801
330	Upgrade Kit	6229026900
335	Gasket Kit	8973037264
340	Aftercooler Kit	2901324966
345	Cylinder Gasket Screw Kit	2236112805
350	Flywheel Kit	6229028500
355	Piston Conrod Kit LP	2236112803
356	Piston Conrod Kit HP	2236112802
360	Oil Level Kit	2901324952
365	Crankcase Kit	2236112804
370	Valve Kit	6229020200
MK1	Maintenance Kit	8973037869
PK1	Performance Kit	8973037628

### B60 and B70 Pump Explosion



### B60 Spare Part Kits

Pump Kit	Description	B60 - 6218740100
310	Cylinder Head Kit	2901324967
320	Intercooler Kit	2901324968
330	Upgrade Kit	6229027600
335	Gasket Kit	8973035123
340	Aftercooler Kit	2901324966
350	Flywheel Kit	6229028500
360	Oil Level Kit	2901324952
370	Valve Kit	6229020200
MK1	Maintenance Kit	8973037871
PK1	Performance Kit	8973037632

### B70 Spare Part Kits

Pump Kit	Description	B70 - 6218740000
310	Cylinder Head Kit	2901324969
320	Intercooler Kit	2901324970
330	Upgrade Kit	6229028200
335	Gasket Kit	8973035130
340	Aftercooler Kit	2901324966
350	Flywheel Kit	6229028500
360	Oil Level Kit	2901324953
370	Valve Kit	6229020200
MK1	Maintenance Kit	8973037873
PK1	Performance Kit	8973037636



## Miscellaneous Spare Parts



Motors						
Part Number	HP	Volt	Phases	Type	Other	
2236112963	2	110	1	mec 80		
2236110453	2	230	1	mec 70		
2236112951	2	230	1	mec 80		
2236112956	3	230	1	mec 80	twin cap	
2236112954	3	400	3	mec 80		
2236112955	3	230	1	mec 90	twin cap	
2236109765	3	400	3	mec 90		
2236102932	4	400	3	mec 100		
6226132100	5.5	400	3	mec 112		
6226137100	7.5	400	3	mec 132		
6226142600	10	400	3	mec 132		

### Capacitors - Direct Drive

Part Number	Models	MF
2236109312	OM231, OL231, F241, O20P	25
6229021500	D4, L20P, L20	32
8973035649	GV34, L30P	40
8973035651	Tradeline OL250	80

### Capacitors - Belt Drive

Motor Type	Models	Part Number	MF
mec 80 110v	Tradeline A29B 50 CM2, Tradeline B28/60	8973035651	80
mec 70 230v	B289/50	2236109312	25
mec 80 230v	B289/100, B2800/LN/M2	8973036616	30
mec 80 230v twin cap	Pro A29B 50/90 CM3, B312/100, B312/60P, A29B LN	8973036613	40
	M3, B2800/LN/M3	8973036636	35
mec 80 230v	Pro A29B (from 2017)	8973037908	45
mec 90 230v twin cap (pre July 2016)	Pro A39B 90 CM3, Pro A39B 150/200 FM3,	8973036612	50
	B3914/150S, B3915/200S, BX3828/270	8973036613	40
mec 90 230v twin cap (July 2016 onwards)	Pro A39B 90 CM3, Pro A39B 150/200 FM3,	8973037910	60
	B3914/150S, B3915/200S, BX3828/270	8973037911	70

### Motor Spares

Part Number	Description	Amps
8973035645	mec 80 Motor Fan	
8973035646	mec 80 Motor Fan Cover	
8973036611	mec 90 Motor Fan	
8973036604	mec 90 Motor Fan Cover	
8973036587	mec 100 Motor Fan	
8973036582	mec 100 Motor Fan Cover	
8973036627	mec 112 Motor Fan	
8973036630	mec 112 Motor Fan Cover	
8973036628	mec 132 Motor Fan	
8973036631	mec 132 Motor Fan Cover	
8973036609	Motor Overload	10
8973036605	Motor Overload	12
8973036615	Motor Overload	15
8973036606	Motor Overload	16
8973035361	Motor Overload	18
8973036610	Motor Overload	20



## Non Return Valves

Part Number	Description	List Price	Pastel	List Price	Spring
6210718900	1/2" M 3/8" M	£16.50	8973036452	£8.06	8973036454
6210719000	1/2" M 1/2" M	£14.62	8973036447	£6.71	8973036454
2236110535	3/4" M hose 10	£40.06	8973036452	£8.06	8973036454
2236110537	3/4" M 1/2" M	£21.88	8973036447	£6.71	8973036454
6210718600	3/4" M 1/4" M	£26.60	8973036451	£6.72	8973036449
6210718500	1" M 3/4" M	£32.62	8973036451	£6.72	8973036455
6210718300	1" F 1" M (1/8" Rilsan)	£31.55	8973036448	£11.20	8973036449
6210718400	1" F 1" M (1/4" Rilsan)	£48.84	8973036448	£11.20	8973036449
2236110536	3/4" M hose 14	£35.43	8973036447	£6.71	8973036454
2236100185	Inline NRV 'T' piece Tandem	£18.15			
2236100130	1/8" elbow to 6mm	£7.65			
8973035280	6mm olive	£0.16			
8973035279	6mm nut	£0.56			



## Safety Valves

Part Number	Description
6210719500	1/4" - 8 bar
6210719900	certified 3/8" * -11 bar
2236100091	1/2" - 12 bar
6210716600	1/4" - 4 bar (intercooler safety valve)
6211113568	1/4" - 13 bar (aftercooler safety valve)

\*Approved by Italian ISPESL



## Pressure Gauges

Part Number	Description
6214333500	Ø 50 rear 1/4" M, scale 0 - 16 bar, for hobby models
2236100146	Ø 50 rear 1/4" M, scale 0 - 20 bar
	Ø 40 rear 1/8" M, scale 0 - 12 bar, for pressure reducers
6214344700	micro mignon



## Line Valves

Part Number	Description
6210720200	Line ball valve 1/2" M - 1/2"
6210720300	Line ball valve 3/4" M - 3/4" F
2236100054	Line ball valve 1" M - 1" F
6231944200	Line valve 1/2" M quick coupling
6210717600	Condensate drain valve 1/4"
6210717700	Condensate drain valve 3/8"



## Solenoid Valves

Part Number	Description
6210718200	3/8" V110/50 Hz
2236100460	3/8" V230/50 Hz
2236100014	1/2" V24/50 Hz
2236100470	1/8" V24/50 Hz
6210720500	3/8" V24/50 Hz



## Pressure Regulators

Part Number	Description
6214344100	Micro pressure reducer 1/4" with 1 line valve
2236105537	Mignon pressure reducer 3/8" with 1 line valve
6214344200	Mignon pressure reducer 3/8" with 2 line valve
6214345100	PU4 pressure reducer 1/2" with 2 line valve
2236105522	Pressure reducer 3/8" bottom entry with 2 x 1/4" outlet



## Rilsan Tubes

Part Number	Description	Max Bar	Exit
2236112998	RILSAN tube (1mtr) 4mmID/6mmOD		
2236100802	RILSAN tube B741		
2901325170	5 mtr hose reel* with hose	20	Quick
2901325171	10 mtr hose reel* with hose	20	Quick



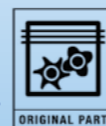
## Belt Guards

Part Number	Description
2901323600	Belt guard kit for B19 / B24 / B25 / B29 / B30 & B28 (screw together - Pre 2000)
2901323595	Belt guard kit for B28(B) & B28l (clip together)
2236110472	Belt guard kit for B38(B)
2901323596	Belt guard kit for B40 & B49
2901323601	Belt guard kit for B59
2901323602	Belt guard kit for B60
2901323599	Belt guard kit for B70
2236111656	Front belt guard section for A29(B) & A39(B)
2236111660	Rear belt guard section for A29(B) & A39(B)



## Motor Pulley Kits

Part Number	Description	Diameter		Bore	
		mm	Type	mm	
2901320263	PULLEY D132-2A+BUSH-28 KIT	130	2A	28	
2901320264	PULLEY D100-2A+BUSH-28 KIT	100	2A	28	
2901320206	PULLEY D130-1A H24+DOWEL KIT	130	1A	24	
2901320265	PULLEY D200-2A+BUSH-38 KIT	200	2A	38	
2901320208	PULLEY D140-1A H24+DOWEL KIT	140	1A	24	
2901320266	PULLEY D180-2A+BUSH-38 KIT	180	2A	38	
2901320210	PULLEY D160-1A H24+DOWEL KIT	160	1A	24	
2901320267	PULLEY D118-2A+BUSH-28 KIT	120	2A	28	
2901320212	PULLEY D110-1A H24+DOWEL KIT	110	1A	24	
2901320268	PULLEY D118-2A+BUSH-28 KIT	110	1A	28	
2901320269	PULLEY D140-1A+BUSH-28 KIT	140	1A	28	
2901320282	PULLEY D150-1A+BUSH-28 KIT	150	1A	28	
2901320270	PULLEY D180-2A+BUSH-28 KIT	180	2A	28	
2901320217	PULLEY D90-1A H24+DOWEL KIT	90	1A	24	
2901320218	PULLEY D120-1A H24+DOWEL KIT	120	1A	24	
2901320271	PULLEY D100-2A+BUSH-38 KIT	100	2A	38	
2901320272	PULLEY D160-1A+BUSH-28 KIT	160	1A	28	
2901320273	PULLEY D160-1A+BUSH-28 KIT	180	1A	28	
2901320274	PULLEY D118-2A+BUSH-38 KIT	120	2A	38	
2901320223	PULLEY D120-1A H28+DOWEL KIT	120	1A	28	
2901320275	PULLEY D170-2A+BUSH-38 KIT	170	2A	38	
2901320276	PULLEY D140-2A+BUSH-28 KIT	140	2A	28	
2901320277	PULLEY D140-2A+BUSH-38 KIT	140	2A	38	
2901320283	PULLEY D80-2A GH + DOWEL KIT	80	2A	38	
2901320278	PULLEY D160-2A+BUSH-28 KIT	160	2A	28	
2901320279	PULLEY D160-2A+BUSH-38 KIT	160	2A	38	
2901320244	PULLEY D70-1A H19+DOWEL KIT	70	1A	19	
2901320280	PULLEY D80-24+BUSH-28	80	2A	28	
2901320251	PULLEY D130-1A H19+DOWEL KIT	130	1A	19	
2901320253	PULLEY D140-1A H19+DOWEL KIT	140	1A	19	
2901320246	PULLEY D90-1A H19+DOWEL KIT	90	1A	19	
2901320249	PULLEY D110-1A H19+DOWEL KIT	110	1A	19	



### Wheel Kits and Anti-vibration Elements

Part Number	Description	Range	Pump	Tank
6229002400	Wheel Kit	Line	L20	Pole Position
8973036380	Wheel Kit		L20	Monte Carlo
2236102675	Wheel Kit		A29 / A29B	50
2236111326	Wheel Kit		A29B	90
8973037783	Wheel Kit	Pro	O20P / O30P	Pole Position
8973037784	Wheel Kit		O20P / O30P	Monte Carlo
2236102270	Wheel Kit		A29B	50
2236102721	Wheel Kit		A29B / A39B	90
8973037782	Rubber Feet Kit		O20P	Start
2236102666	Anti-Vibration Element for Fixed machines	Line / Pro	All Pumps	150 / 200 / 270



### Condensate Drains

Part Number	Description	Capacity	(m3/min)	Weight
<b>No Loss Auto Drain</b>				
4101000212	LD200 Sensor Level Drain	15	30	0.7
4101000213	LD202 Sensor Level Drain	30	60	1.2
4101000214	LD203 Sensor Level Drain	158	316	2.8
		<b>Max Air Flow m3/min</b>	<b>Connection</b>	
<b>Mechanical Auto Drain</b>				
0079500000	Mechanic G20	5	1/2"	
<b>Timed solenoid Drain</b>				
0079520000	Timer E200	5	3/8"	



### Pressure Switches

Part Number	Description	Voltage	Phase
6256396000	NEMA Pressure switch 1 way	1/4"	1 Phase
2236106647	CONDOR Pressure switch 1 way	3/8"	1 Phase
2236100427	CONDOR Pressure switch 1 way	1/4"	3 Phase
2236100436	CONDOR Pressure switch 4 way	1/2" 2-4A	3 Phase
2236112288	CONDOR Pressure switch 4 way	1/2" 4-6.3A	3 Phase
2236112290	CONDOR Pressure switch 4 way	1/2" 6.3-10A	3 Phase
2236112292	CONDOR Pressure switch 4 way	3/8" 10-16A	3 Phase
2236100456	NEMA Pressure switch 1 way	1/4" 6.3-10A	3 Phase
2236112739	NEMA Pressure switch 1 way	3/8" 15A	110V
MDR 3/11 - R3/10 CONDOR pressure switch kit for 4 - 7.5 HP Silenced LN			
2236111839	Pistons		
2236100181	Reducing bush 1/2"M 1/4"F		
2236100183	Reducing bush 1/2"M 3/8"F		



### Pressure Switches

Part Number	Common Compressor Models
2236106647	Vento OM231, Pole Position & Montecarlo 241/OM231/D4, Tradeline A29/B28, PRO & Line Direct drive
6256396000	Line Direct drive
2236112739	Tradeline 250/RC, Tradeline D3
6256396000	B289/(50,100S,100T) B312/(60P,100) B3914/(150S,200S), BV3914/150S
2236106647	B289/(50,100S,100T) B312/(60P,100) B3914/(150S,200S), BV3914/150S
2236100456	B3914/(150T,200T), BV3914/150T
2236112288	B3914/(150T,200T), BV3914/150T
2236112290	B4919/200, B5924/200
6256396500	B630/270
2236112292	B630/270
6256396100	B741/270

