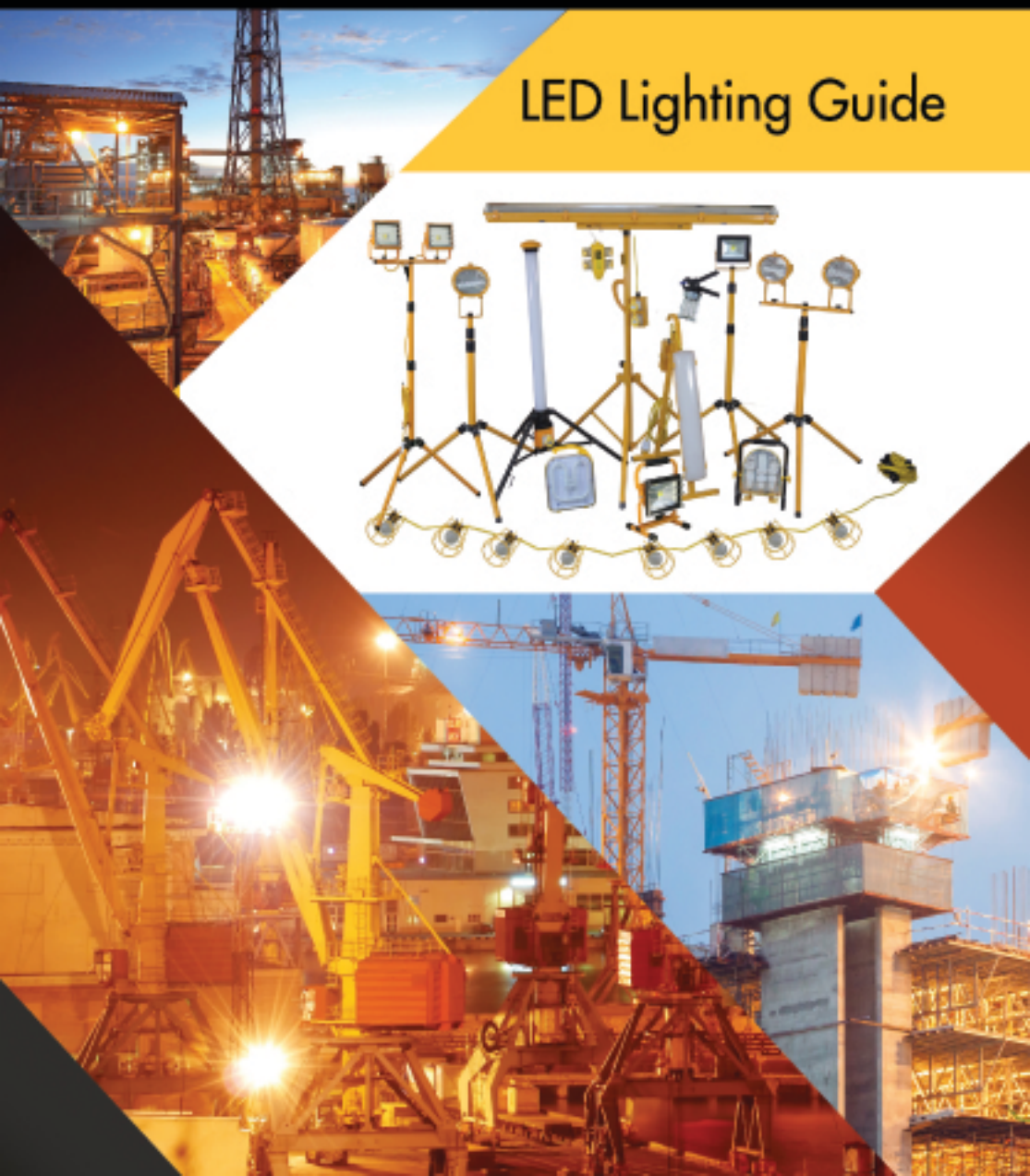




# Electro-wind limited

## LED Lighting Guide



# 10W LED Rechargeable Work Light Magnetic Feet

10W LED mini work light, can be hand held, hard surface standing or suspended from the handle, with the added bonus of the magnetic feet the light can be securely positioned on metal surfaces.

Without the restrictions of a power lead this versatile light can be used almost anywhere, particularly in confined spaces such as lofts, attics or trench work.

Ideally used as an inspection light.



- Powder Coated die cast aluminium fitting
- Tempered glass lens
- 10W COB LED
- 900lm
- LED head can be rotated forwards and backwards
- 120' lamp light angle
- UK 240 Volt mains charger included
- Car charger 12-24V included
- Approx charge time 4-5 hrs
- Run time at 100% bright 3 hours, run time at 50% bright 6 hours
- Magnetic Base
- IP65 fitting
- Weight 1.4kgs

# 20W LED Task Light

For both domestic and commercial use, glare free light used for general lighting in confined spaces, maintenance inspection, walkway lighting and plastering light.

With 1 socket outlet for linking lights or can be used as a source of power for other equipment.



- Powder Coated die cast aluminium body
- Tempered glass lens
- 20W LED
- 2000lm 30,000 hours lifetime
- 120' lamp light angle
- 1 x 16Amp power take off socket for linking max 15 lights together
- Maximum total load applied to socket should not exceed 1500W
- 3 meter lead and 110V 16Amp plug
- IP54 Body
- Weight 2kgs

	LED	Fluorescent
Energy Efficiency	20W	36W
Lamp Life	30,000hrs	6,000hrs
Lumens	2,000lm	2,200lm

## Benefits

Work hands free utilising the magnetic base  
Dimmable to conserve battery life  
No power supply required

## Product Code

HLRLED10MAG

## Benefits

Energy Saving  
No broken lamps to replace  
No Potential exposure to harmful particles  
Almost no heat exposure

## Product Code

TASKLIGHTLED110SKT

## 20W LED Work Light

**20W super bright LED, daylight 6400K, can be hand held, hard surface standing or suspended from the handle.**

This gives a versatile, robust light which can be used almost anywhere, particularly useful in confined spaces. No flicker.

- Powder Coated die cast aluminium fitting
- Tempered glass lens
- 20W COB LED
- 1800lm 30,000 hours lifetime
- LED head can be rotated forwards and backwards
- 120° lamp light angle
- 3M lead & 110V 16A plug
- IP54 fitting
- Weight 2kgs



	LED	Tungsten Halogen
Energy Efficiency	20W	500W
Lamp Life	30,000hrs	2,000hrs
Lumens	1,800lm	9,000lm

### Benefits

No broken lamps to replace  
Clean white light  
Almost no heat exposure  
120° light spread

### Product Code

HLIGHT20LED

## 20W LED Rechargeable Work Light

**20W LED work light, can be hand held, hard surface standing or suspended from the handle.**

Without the restrictions of a power lead this versatile light can be used almost anywhere, particularly in confined spaces such as lofts, attics or trench work. Ideally used as an inspection light.

- Powder Coated die cast aluminium fitting
- Tempered glass lens
- 20W COB LED
- 1800lm
- LED head can be rotated forwards and backwards
- 120° lamp light angle
- UK 240 Volt mains charger included
- Car charger 12-24V included
- Approx charge time 4-5 hrs
- Run time at 100% bright 3 hours, Run time at 50% bright 6 hours
- IP65 fitting
- Weight 2.24kgs



### Benefits

Dimmable to conserve battery life  
No power supply required

### Product Code

HLRLED20

## 2FT LED Contractors Light

For both domestic and commercial use, glare free light used for general lighting in confined spaces, maintenance inspection, walkway lighting and plastering light.

With 2 socket outlets for linking lights or can be used as a source of power for other equipment.

- Powder coated metal A frame with carry handle
- Tough 2ft polycarbonate body
- Robust foldaway stand for ease of transportation
- 30W LED
- 2600 lm 30,000 hours lifetime
- 2 x 16Amp power take-off sockets for linking max 20 lights together
- Maximum total load applied to sockets should not exceed 1500W
- 5 meter lead and 110V 16Amp plug
- IP54 rated fitting
- Weight 5.32kg



	LED	Flourescent
Energy Efficiency	30W	36W
Lamp Life	30,000hrs	6,000hrs
Lumens	2,600lm	2,200lm

### Benefits

Energy Saving  
No broken lamps to replace  
No Potential exposure to harmful particles  
Almost no heat exposure

### Product Code

FL2AFRAMELED

## 2FT LED Contractors Tripod Light

2ft glare free contractors light, mounted on a robust folding leg tripod. Also known as a 'plasterers light' with 2 sockets outlets for linking lights or can be used as a source of power for other equipment.

Multiple units can be linked together. Used for general lighting in confined spaces, maintenance inspection, walkway lighting and plastering light.

- Powder Coated metal folding leg tripod
- Tough 2ft polycarbonate light fitting
- 30W LED
- 2600 lm 30,000 hours lifetime
- 2 x 16 Amp power take off sockets for linking max 20 lights together
- Maximum total load applied to sockets should not exceed 1500W
- 5 meter lead & 110V 16Amp plug
- IP54 fitting
- Weight 7.5kgs



	LED	Flourescent
Energy Efficiency	30W	36W
Lamp Life	30,000hrs	6,000hrs
Lumens	2,600lm	2,200lm

### Benefits

Energy Saving  
No broken lamps to replace  
No Potential exposure to harmful particles  
Almost no heat exposure

### Product Code

TRIFL2SKTLED

## 5FT LED Contractors Light

5ft glare free contractors light, mounted on a robust folding leg tripod. Also known as a 'plasterers light' with 2 socket outlets for linking lights or can be used as a source of power for other equipment.

Multiple units can be linked together. Used as a general lighting solution, for maintenance inspection, walkway lighting and plastering light.

- Powder Coated metal folding leg tripod
- Tough 5ft polycarbonate light fitting
- 44W LED
- 4050lm 30,000 hours lifetime
- 2 x 16 Amp power take off sockets for linking max 12 x 5ft lights together
- Maximum total load applied to sockets should not exceed 1500W
- 5M lead & 110V 16Amp plug
- IP54 fitting
- Weight 11kgs



	LED	Tungsten Halogen
Energy Efficiency	44W	58W
Lamp Life	30,000hrs	6,000hrs
Lumens	4,050lm	4,950lm

### Benefits

Energy Saving  
No broken lamps to replace  
No Potential exposure to harmful particles  
Almost no heat exposure

### Product Code

TRIFL5SKTLED

## 20W LED Single Head Tripod Light

20W LED tripod light produces a similar output to a 500Watt tungsten halogen lamp with only a fraction of the power usage.

These lights are ideal for general temporary lighting needs, mostly used as work lights on site.

- Powder Coated die cast aluminium fitting
- Telescopic stand with folding legs
- Height adjustable up to 2M
- Tempered glass lens
- 20W COB LED
- 1800lm 30,000 hours lifetime
- LED head can be rotated forwards and backwards
- 120° lamp light angle
- 3M lead & 110V 16Amp plug
- IP54 fitting
- Weight 4.2kgs



	LED	Tungsten Halogen
Energy Efficiency	20W	500W
Lamp Life	30,000hrs	2,000hrs
Lumens	1,800lm	9,000lm

### Benefits

Energy Saving  
No broken lamps to replace  
Clean white light Almost no heat exposure  
120° light spread

### Product Code

TRIS20LED

## 2 x 20W LED Double Head Tripod Light

Each 20W LED head produces a similar output to a 500Watt tungsten halogen lamp with only a fraction of the power usage.

These lights are ideal for general temporary lighting needs, mostly used as work lights on site.

- Powder Coated die cast aluminium fitting
- Telescopic stand with folding legs
- Height adjustable to almost 2M
- Tempered glass lens
- 2 x 20W COB LED
- 3600lm 30,000 hours lifetime
- LED head can be rotated forwards and backwards
- 120° lamp light angle
- 3M lead & 110V 16Amp plug
- IP54 fitting
- Weight 6.27kgs



	LED	Tungsten Halogen
Energy Efficiency	2 x 20W	2 x 500W
Lamp Life	30,000hrs	2,000hrs
Lumens	3,600lm	18,000lm

### Benefits

Energy Saving  
No broken lamps to replace  
Clean white light Almost no heat exposure  
120° light spread

### Product Code

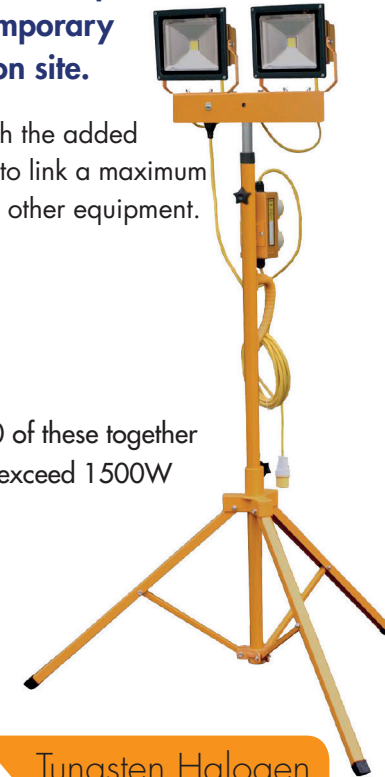
TRID20LED

## 2 x 30W LED Heavy Duty Double Head Tripod Light

Each 30W LED head produces a similar output to a 500Watt tungsten halogen lamp with only a fraction of the power usage. These lights are ideal for general temporary lighting needs, mostly used as work lights on site.

The heavy duty model can be extended to 2.5M with the added bonus of the two take off sockets which can be used to link a maximum of 10 of these lights together or as power source for other equipment.

- Powder Coated die cast aluminium fitting
- Robust, heavy duty retractable frame
- Height adjustable to 2.5M
- Tempered glass lens
- 2 x 16A Power take off sockets for linking max 10 of these together
- Maximum total load applied to sockets should not exceed 1500W
- LED head can be rotated forwards and backwards
- 2 x 30W COB LED
- 5400lm 30,000 hours lifetime
- 120° lamp light angle
- 5M lead & 110V 16 Amp plug
- IP54 fitting
- Weight 12.10kgs



	LED	Tungsten Halogen
Energy Efficiency	2 x 30W	2 x 500W
Lamp Life	30,000hrs	2,000hrs
Lumens	5,400lm	18,000lm

### Benefits

Energy Saving  
No broken lamps to replace  
Clean white light Almost no heat exposure  
120° light spread

### Product Code

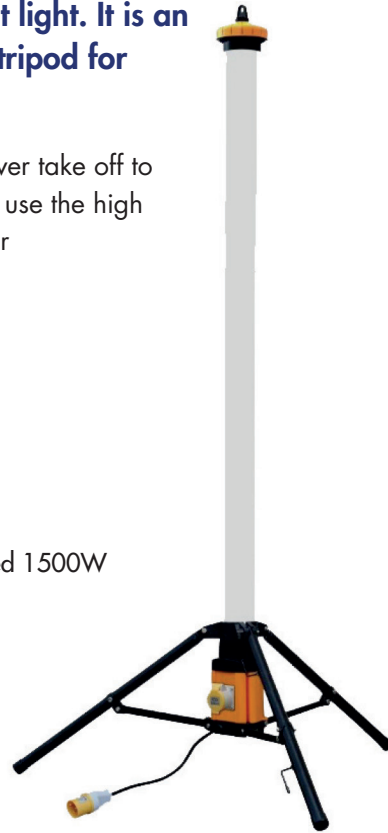
TRID30LED

# 4ft LED Up Light

**4ft LED UP LIGHT gives 360 degrees of bright light. It is an ideal work light mounted onto a folding leg tripod for sturdy stand-alone use.**

The robust lighting solution has a socket outlet for power take off to enable lights to be linked. Ideal for indoor or outdoor use the high output low energy light source is perfect for any site or working environment.

- Powder Coated metal folding legs
- Tough 360° polycarbonate light fitting
- 36W LED
- 3050lm 30,000 hours lifetime
- 16 Amp power take off socket for linking max 15 x 4ft up lights together
- Maximum total load applied to socket should not exceed 1500W
- 3 meter lead & 110V 16Amp plug
- Extended Height 1280mm
- Closed Height 1185mm
- Extended Width 850mm
- Extended Depth 740mm
- Carry strap
- IP54 fitting
- Weight 4.1kgs



	LED	Fluorescent
Energy Efficiency	36W	36W
Lamp Life	30,000hrs	6,000hrs
Lumens	3,050lm	2,462lm

## Benefits

Energy Saving  
No broken lamps to replace  
No Potential exposure to harmful particles  
Almost no heat exposure

## Product Code

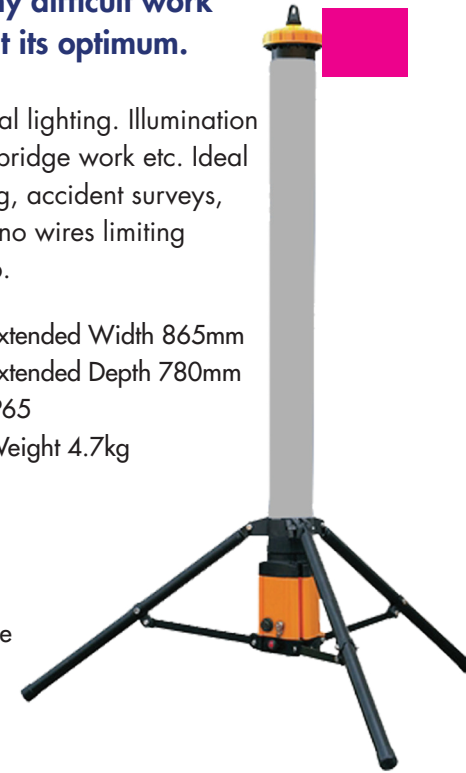
TRIFL4SKTLED

# 4ft 36W LED Rechargeable Battery Light

**The 36Watt LED rechargeable battery light provides a full 360 degrees of light, perfect for any difficult work environment where light needs to be at its optimum.**

The light spread reduces the need for additional lighting. Illumination for close confinement work, tunnels, building, bridge work etc. Ideal for outdoor activities requiring portable lighting, accident surveys, security and camping. No hassle on site and no wires limiting placement, allowing you to get on with the job.

- Powder Coated metal folding legs
- Anti-corrosive
- Tough 360° polycarbonate light fitting
- 36W LED
- 3050lm 30,000 hours lifetime
- UK 240 Volt mains charger included
- Can be used during charging
- LED indicator shows when to charge battery
- 8-10 hours charging = 8-16 hours working time
- Extended Height 1260mm
- Closed Height 1230mm
- Adjustable Nylon carry strap
- Extended Width 865mm
- Extended Depth 780mm
- IP65
- Weight 4.7kg



	LED	Fluorescent
Energy Efficiency	36W	36W
Lamp Life	30,000hrs	6,000hrs
Lumens	3,500lm	2,200lm

## Benefits

Energy Saving  
No broken lamps to replace 360° light spread  
Can be used during charging but at 50% brightness  
Speedier charge when light is off

## Product Code

TRILED4R

## 2ft and 5ft LED Fittings

The 2ft or 5ft LED baton light fitting can be ceiling hung or attached to scaffold.

Ideal use for tunnel lighting, walkways lighting or can be used as general lighting in loft spaces, basements, etc. Either fitting can be supplied with magnets for easy installation.



- 2ft & 5ft fittings with an LED in-tray
- Non-corrosive
- 120° lamp light
- Fittings can be linked
- IP65 rated fitting
- Magnets optional

	LED 2ft	LED 5ft	Fluorescent
Energy Efficiency	30W	44W	36W
Lamp Life	30,000hrs	30,000hrs	6,000hrs
Lumens	2,640LM	4,050LM	2,200LM
Dimensions	L660xW130xH92 mm	L660xW130xH92 mm	
Weight	1.25kg	2.8kg	

Benefits	Product Codes	With Magnets
Energy Saving No broken lamps to replace No Potential exposure to harmful particles Almost no heat exposure	LF2LED30 LF5LED44	LF2LED30MAG LF5LED44MAG

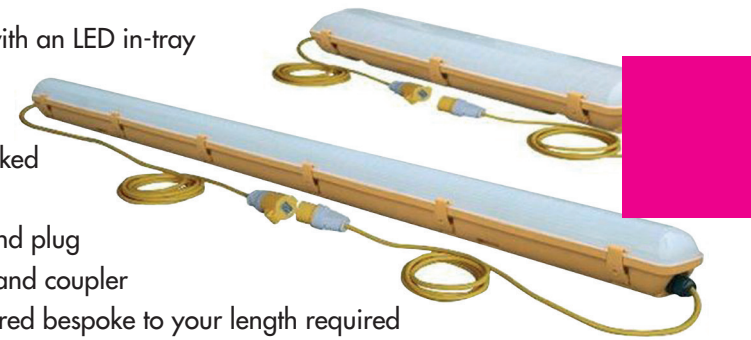
## 2ft and 5ft LED Fittings Pre-wired

The 2ft or 5ft LED baton light fitting can be ceiling hung or attached to scaffold.

Ideal for overhead lighting use for tunnel lighting, walkways lighting or can be used as general lighting in loft spaces, basements, etc. Pre-wired for your convenience these can be linked together to provide larger area lighting to an appropriate power source.

Come with standard 1M in and 1M out cable however can be pre-wired bespoke to your needs. Either fitting can be supplied with magnets for easy installation.

- 2ft & 5ft fittings with an LED in-tray
- Anti-corrosive
- 120° lamp light
- Fittings can be linked
- IP65 rated fitting
- 1M cable input and plug
- 1M cable output and coupler
- Fittings can be wired bespoke to your length required
- Magnets optional



	LED 2ft	LED 5ft	Fluorescent
Energy Efficiency	30W	44W	36W
Lamp Life	30,000hrs	30,000hrs	6,000hrs
Lumens	2,640LM	4,050LM	2,200LM
Dimensions	L660xW130xH92 mm	L660xW130xH92 mm	
Weight	2.2kg	2.8kg	

Benefits	Product Codes	With Magnets
Energy Saving No broken lamps to replace Almost no heat exposure 120° light spread	LF2LED30WP LF5LED44WP	LF2LED30WPMAG LF5LED44WPMAG



## LED SITEKIT / Festoon Lighting 22m

Can be ceiling hung or attached to scaffold. Ideal for overhead lighting use such as tunnel lighting, walkway lighting.

30,000hrs lifetime compared to a maximum of 2,000 for a GLS bulb.

- 22M Festoon with moulded ES fittings
- 10 x 10W LED Lamps included
- 800lm 30,000 hours lifetime
- 10 x guards
- 110V 16A plug
- IP44
- Weight 3.8Kg



	LED	Fluorescent
Energy Efficiency	10x10W	10x60W
Lamp Life	30,000hrs	1,000hrs
Lumens	800lm	600lm

Benefits	Product Code
Energy Saving Robust Longer lasting	SITEKITLED

## LED SITEKIT / Festoon Lighting 100m

Can be ceiling hung or attached to scaffold. Ideal for overhead lighting use such as tunnel lighting, walkway lighting.

30,000hrs lifetime compared to a maximum of 2,000 for a GLS bulb.

- 100M Festoon with moulded ES fittings
- 33 x 10W LED Lamps included
- 800lm 30,000 hours lifetime
- 33 x guards
- 110V 16A plug
- IP44
- Weight 16Kg



	LED	Fluorescent
Energy Efficiency	30x10W	30x60W
Lamp Life	30,000hrs	1,000hrs
Lumens	800lm	600lm

Benefits	Product Code
Energy Saving Robust Longer lasting	FKIT100MESLED

# Fluorescent And Halogen Site Lighting

**AVAILABLE FROM STOCK  
SPARE BULBS FROM STOCK**



### TRI/LE

110V 500W Folding leg telescopic tripod light with single halogen head c/w metal guard 5M lead & 16A plug



### TRIFL4/SKT

110V 36W 4ft Folding leg fluorescent tripod c/w 1 x 16A skt 3M lead & 16A plug low energy



### H/LIGHT

110V 500W halogen portable light c/w metal guard 3M lead & 16A plug



### SITEKIT/ES

110V 22M festoon lighting c/w 10 x 60W ES lamps, guards & 16A plug. Also Available with 13W Low Energy Lamps



### TRIFL2/SKT

110V 2 x 18 W Folding leg tripod mounted fluorescent c/w 2 x 16 Skt tube 5M lead & 16A plug



### WG/LAMP110

110V ES gripper hand lamp c/w wire guard 5M lead & 16A plug



### TRI/TE

110V Folding leg telescopic tripod Light with twin 500W halogen heads c/w metal guard 5M lead & 16A plug



### TRIFL5/SKT

110V 1 x 58W 5ft Folding leg tripod mounted fluorescent c/w 2 x 16A skts 5M lead & 16A plug



### TASKLIGHT110V

110V 38W 2D fluorescent IP44 can be handheld, floor standing or wall mounted c/w 3M lead & 16A plug Low energy



### F/KIT100MES

110V 100M Festoon Lighting c/w 33 x 60W ES lamps, guards & 16A plug. Also Available with 13W Low energy lamps. 50M Festoon available on request



### FL2AFRAME

110V 500W 2 x 18W 2FT fluorescent A frame c/w 2 x 16A skts 5M lead & 16A plug

# Extension Leads and Splitter Boxes

Full range of **extension leads** to suit all requirements. Bespoke items manufactured in house.

230V 13amp 14M 3 core extension lead 1.5mm blue cable	E113240
230V 16amp 14M 3 core extension lead 1.5mm blue cable	E116240
230V 32amp 14M 3 core extension lead 4.0mm blue cable	E432230
110V 16amp 14M 3 core extension lead 1.5mm yellow cable	E116110
110V 16 amp 14M 3 core extension lead 2.5mm yellow cable	E216110
110V 32 amp 25M 3 core extension lead 4.0mm yellow cable	E43211025
110V 32amp 14M 3 core extension lead 4.0mm yellow cable	E432110

**Bespoke lengths made to order, 3 phase, DC Automotive, 24V AC SELV, all specials manufactured to your requirements**

### Cable Reels

PLASTIC CABLE REEL 110V 25M c/w 2 x 16A Sockets	CRP25110
PLASTIC CABLE REEL 110V 50M c/w 2 X 16A Sockets	CRP50110
PLASTIC CABLE REEL 230V 25M c/w 2 X 13A Sockets	CRP25230
PLASTIC CABLE REEL 230V 50M c/w 4 X 13A Sockets	CRP50230

### Splitter Boxes

110V 32A 2 Way GRP Junction box c/w 3M cable & plug	2W32AJBC
110V 16A 4 Way Metal Junction box c/w 5M cable & plug	4WJBC
110V 16A 4 Way GRP Junction box c/w 5M cable and plug	4WJBC/P
110V 16A 6 Way Metal Junction box c/w 5M 4.0 mm cable & 32A Plug	6WJBC
230V 16A 4 Way Junction box c/w 5M 2.5mm cable & 16A plug	4WJBC230

**Robust steel, GRP case or moulded case. We can manufacture any purpose built unit to your specification.**

### Trailing Sockets

3 Way Adaptor 110V 16amp	WAD16-110
2 Way Adaptor 110V 16amp	YAD16-110
3 Way Adaptor 110V 16amp	AD1103

### Cable (100 metre)

1.5mm <sup>2</sup> 3 core 230V Blue Arctic Grade	1.53CB
1.5mm <sup>2</sup> 3 core 110V Yellow Arctic Grade	1.53CYE
2.5mm <sup>2</sup> 3 core 230V Blue Arctic Grade	2.53CB
2.5mm <sup>2</sup> 3 core 110V Yellow Arctic Grade	2.53CYE
4.0mm <sup>2</sup> 3 core 110V Yellow Arctic Grade	4.03CYE





# electro-wind limited

West Ave, Talke, Stoke-On-Trent Staffordshire ST7 1TR

01782 776321

[www.electro-wind.co.uk](http://www.electro-wind.co.uk)

F. 01782 776422

[sales@electro-wind.co.uk](mailto:sales@electro-wind.co.uk)

Photographs are for representative purposes, goods supplied may differ from those advertised.

EW Ltd reserves the right to change designs without prior notice. This brochure does not form part of an agreement or contract to supply services or goods.