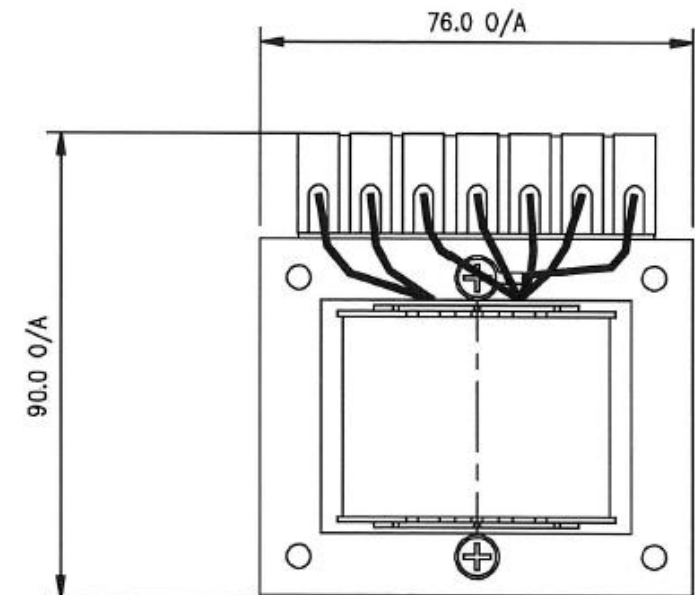
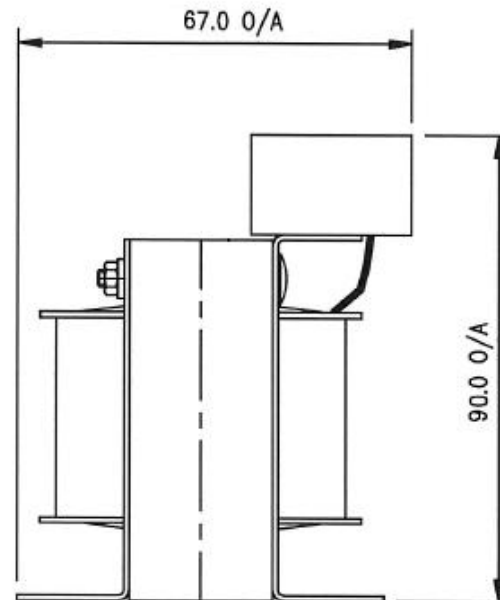
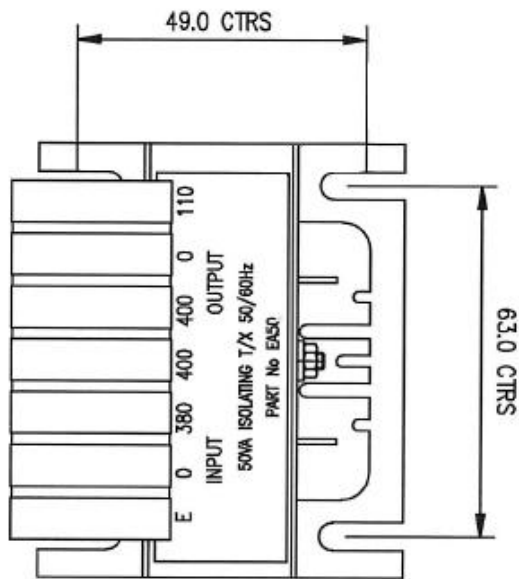


ITEM No	ELECTRO WIND PART No	RATING VA	INPUT	OUTPUT	WEIGHT
1	EA50	50	0/380/400/440V	110V	1.06Kg
2	EB50	50	0/400V	110V	1.06Kg
3	EC50	50	0/230V	110V	1.06Kg
4	ED50	50	0/230V	24V	1.06Kg
5	EE50	50	0/400V	24V	1.06Kg



A3



THIRD ANGLE PROJECTION

DRG.No.	REFERENCE DRAWINGS.	ORDER No.	
		OUR REF.	
		PROJECT.	
		SCALE.	
		DRAWN. LEP	DATE
		CHECKED	DATE

TITLE
OUTLINE OF TRANSFORMER

ELECTRO-WIND DESIGN No EA,EB,EC,ED & EE50

CLIENT.

Electro-Wind LTD.
West Avenue, Nelson Industrial Estate
Tolke, Stoke-on-Trent ST7 1TR
TEL 01782 776321 FAX 01782 776422

DRG.No.

REV. A