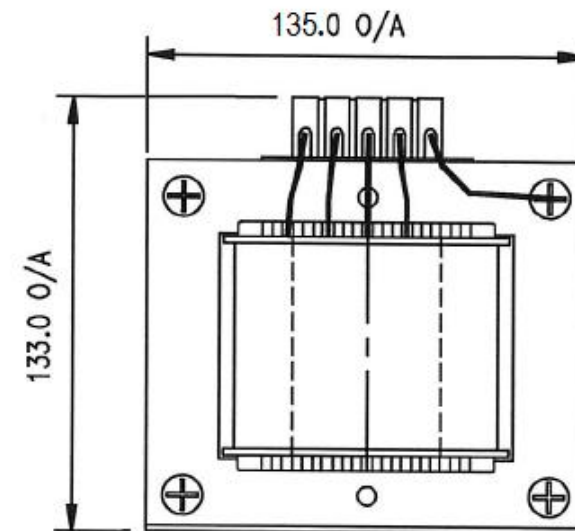
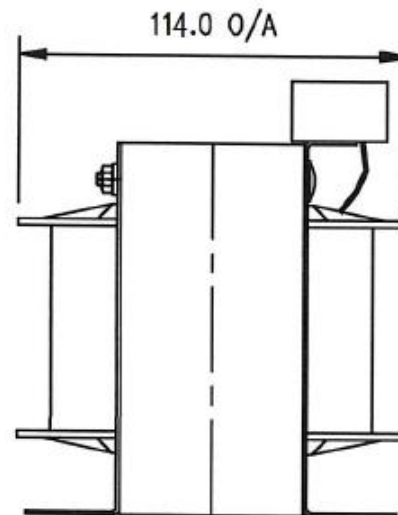
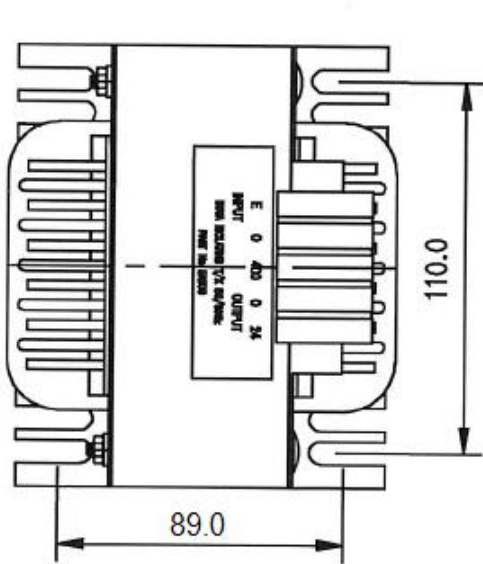


ITEM No	ELECTRO WIND PART No	RATING VA	INPUT	OUTPUT	WEIGHT
1	EA500	500	0/380/400/440V	110V	6.25Kg
2	EB500	500	0/400V	110V	6.25Kg
3	EC500	500	0/230V	110V	6.25Kg
4	ED500	500	0/230V	24V	6.25Kg
5	EE500	500	0/400V	24V	6.25Kg



A3



THIRD ANGLE PROJECTION

DRG.No.	REFERENCE DRAWINGS.
---------	---------------------

ORDER No.	
OUR REF.	
PROJECT.	
SCALE.	
DRAWN. LEP	DATE
CHECKED	DATE

TITLE	OUTLINE OF TRANSFORMER
	ELECTRO-WIND DESIGN No EA,EB,EC,ED & EE
CLIENT.	

Electro-Wind LTD.	
West Avenue, Nelson Industrial Estate	
Talkie, Stoke-on-Trent ST7 1TR	
TEL 01782 776321 FAX 01782 776422	
DRG.No.	REV. A