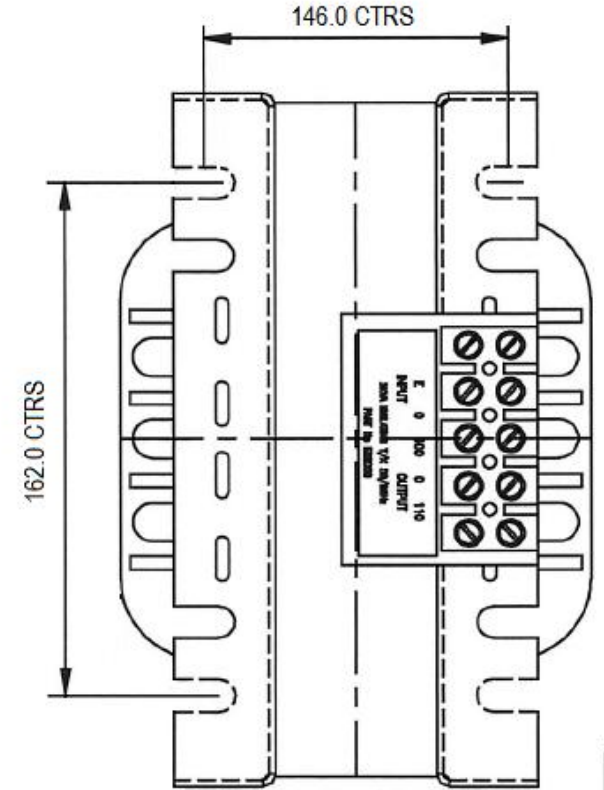
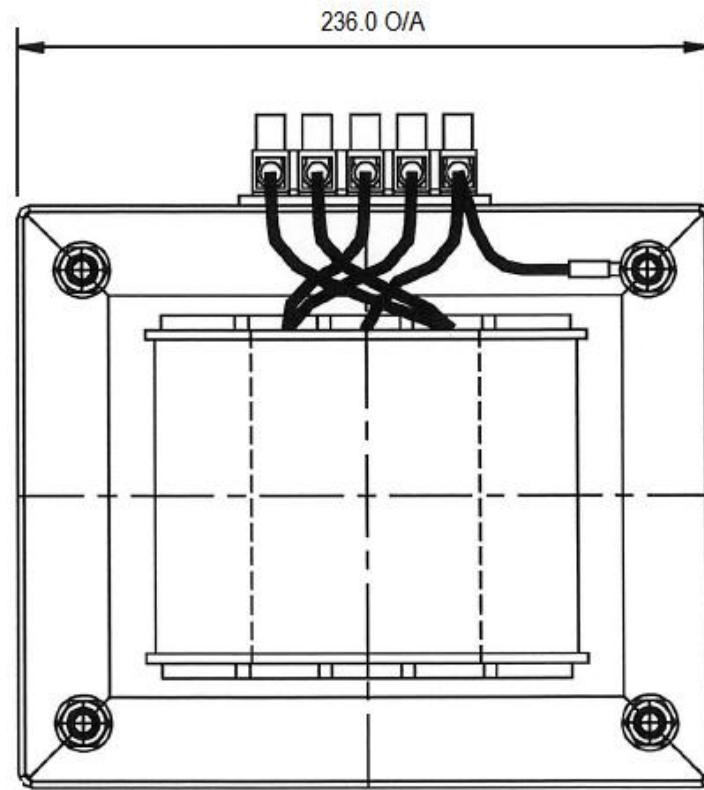
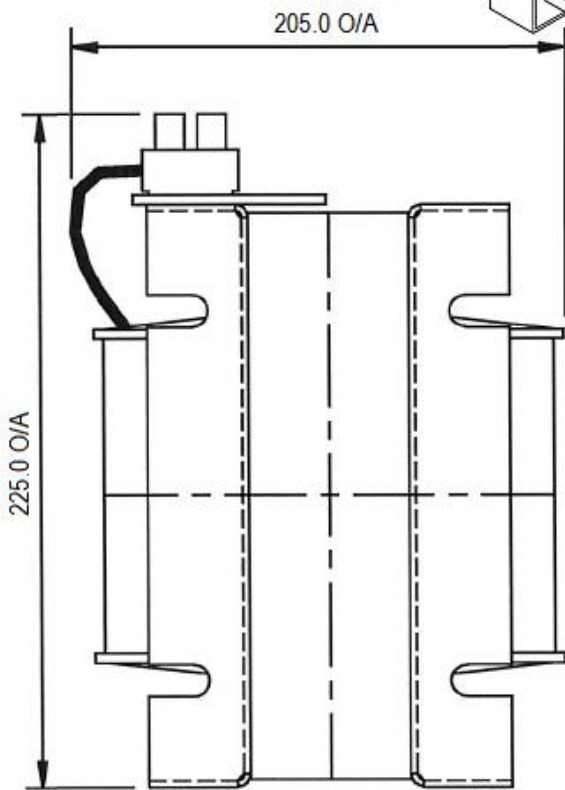


ITEM No	ELECTRO WIND PART No	RATING VA	INPUT	OUTPUT	WEIGHT
1	EA4000	4000	0/380/400/440V	110V	37.4 Kg
2	EB4000	4000	0/400V	110V	37.4 Kg
3	EC4000	4000	0/230V	110V	37.4 Kg
4	EH4000	4000	0/400V	230V	37.4 Kg



A3



THIRD ANGLE PROJECTION

ORDER No.	
OUR REF.	
PROJECT.	
SCALE.	
DRAWN. LEP	DATE: 25/05/2011
CHECKED	DATE:
DRG.No.	REFERENCE DRAWINGS.

TITLE.	OUTLINE OF TRANSFORMER
ELECTRO-WIND DESIGN No	EA,EB,EC,ED & EE
CLIENT.	

Electro-Wind LTD.
West Avenue, Nelson Industrial Estate
Talke, Stoke-on-Trent ST7 1TR
TEL 01782 776321 FAX 01782 776422
DRG.No.

REV.	A
------	---