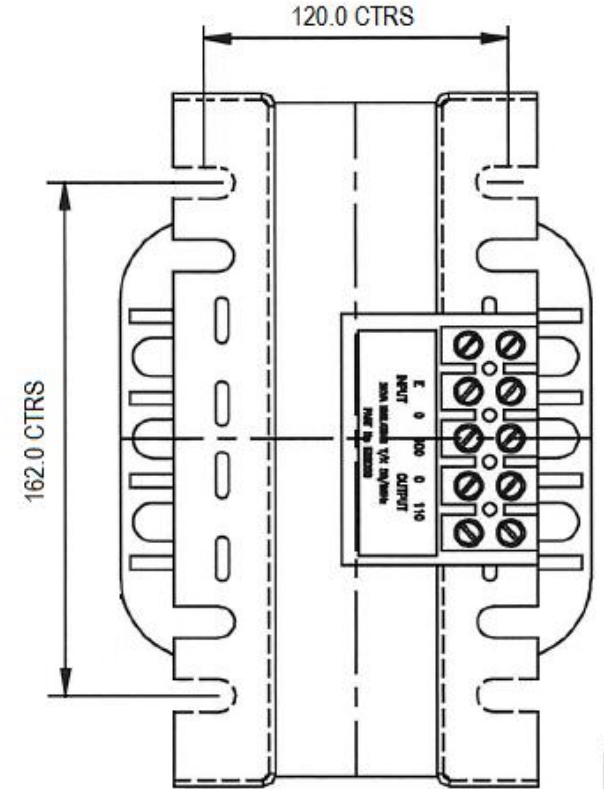
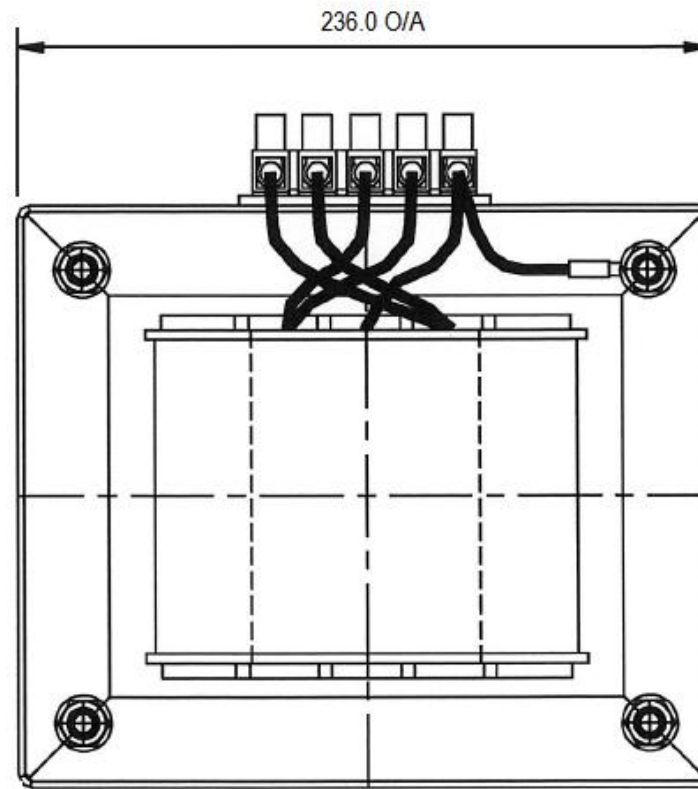
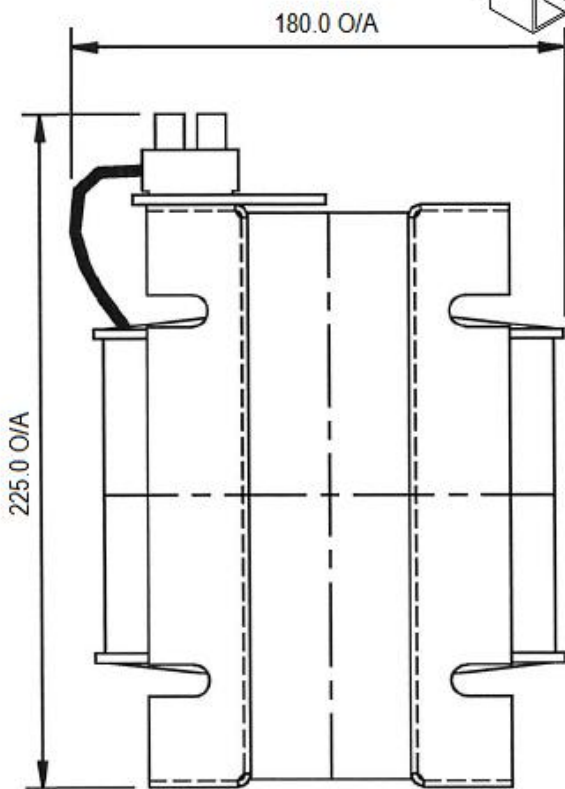


ITEM No	ELECTRO WIND PART No	RATING VA	INPUT	OUTPUT	WEIGHT
1	EA3000	3000	0/380/400/440V	110V	28.0 Kg
2	EB3000	3000	0/400V	110V	28.0 Kg
3	EC3000	3000	0/230V	110V	28.0 Kg
4	ED3000	3000	0/230V	24V	28.0 Kg
5	EE3000	3000	0/400V	24V	28.0 Kg



A3



THIRD ANGLE PROJECTION

ORDER No.	
OUR REF.	
PROJECT.	
SCALE.	
DRAWN. LEP	DATE: 25/05/05
CHECKED	DATE:
DRG.No.	REFERENCE DRAWINGS.

TITLE	OUTLINE OF TRANSFORMER
ELECTRO-WIND DESIGN No	EA,EB,EC,ED & EE
CLIENT.	

Electro-Wind LTD.
West Avenue, Nelson Industrial Estate
Talke, Stoke-on-Trent ST7 1TR
TEL 01782 776321 FAX 01782 776422
DRG.No.

REV.	A
------	---