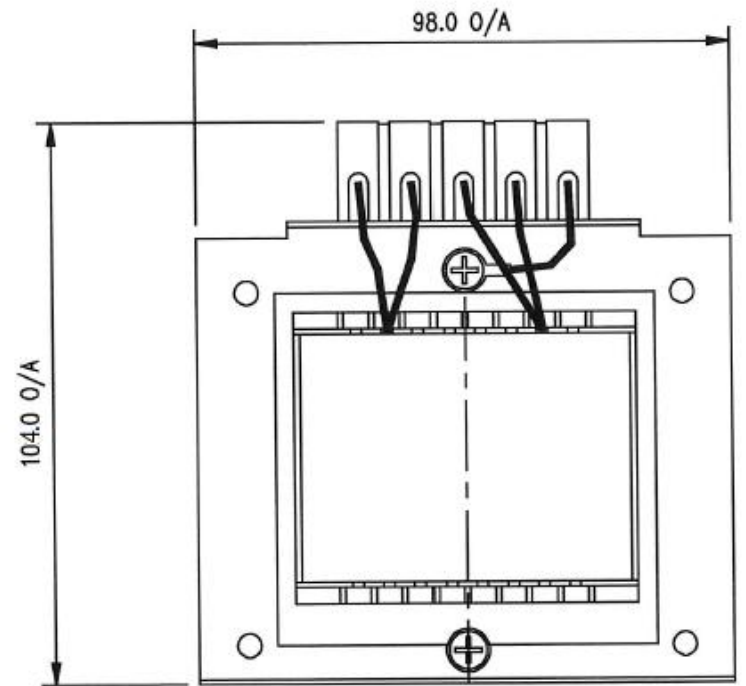
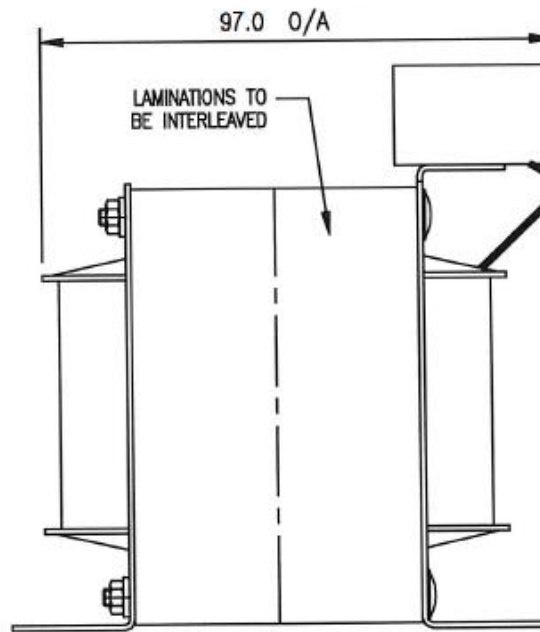
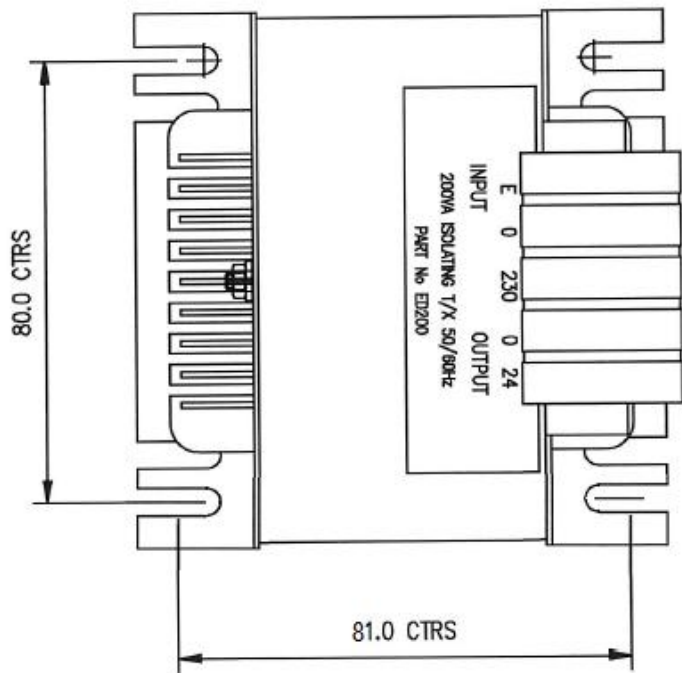
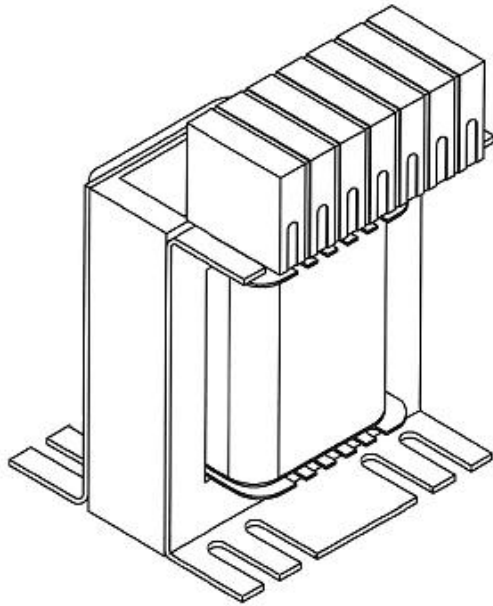


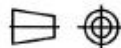
ITEM No	ELECTRO WIND PART No	RATING VA	INPUT	OUTPUT	WEIGHT
1	EA200	200	0/380/400/440V	110V	2.91Kg
2	EB200	200	0/400V	110V	2.91Kg
3	EC200	200	0/230V	110V	2.91Kg
4	ED200	200	0/230V	24V	2.91Kg
5	EE200	200	0/400V	24V	2.91Kg



A3



THIRD ANGLE PROJECTION



DRG.No.	REFERENCE DRAWINGS.	ORDER No.	
		OUR REF.	
		PROJECT.	
		SCALE.	
		DRAWN. LEP	DATE
		CHECKED	DATE

TITLE.	OUTLINE OF TRANSFORMER
	ELECTRO-WIND DESIGN No EA,EB,EC,ED & EE
CLIENT.	

Electro-Wind LTD.	
West Avenue, Nelson Industrial Estate	
Tolke, Stoke-on-Trent ST7 1TR	
TEL 01782 776321 FAX 01782 776422	
DRG.No.	REV. A