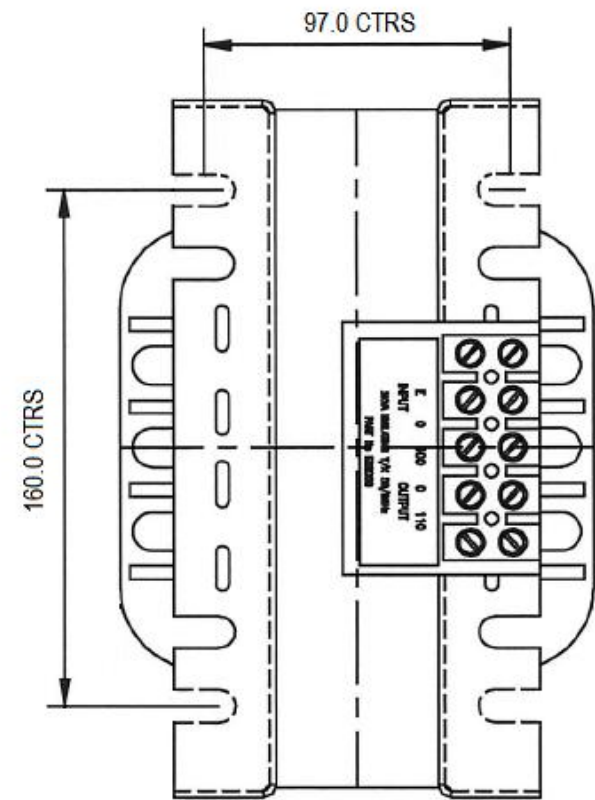
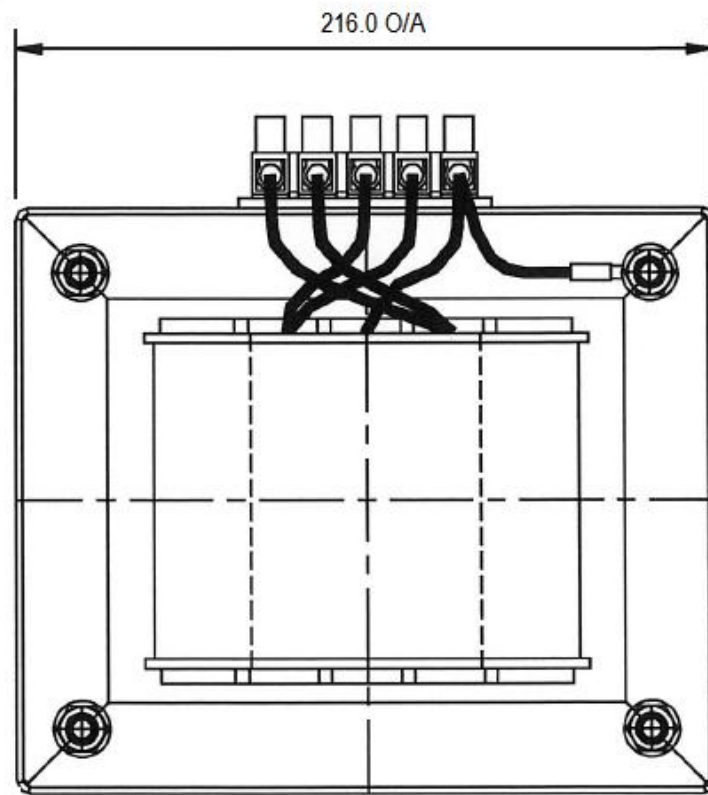
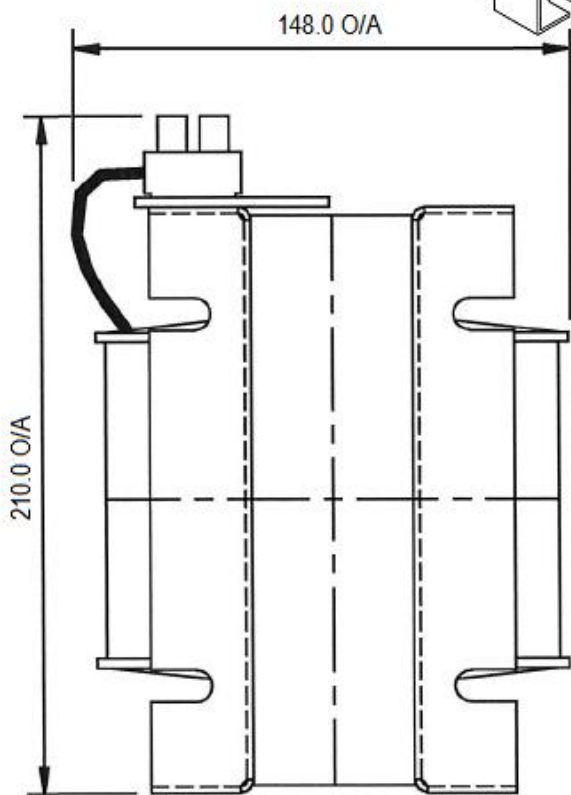


ITEM No	ELECTRO WIND PART No	RATING VA	INPUT	OUTPUT	WEIGHT
1	EA2000	2000	0/380/400/440V	110V	17.5 Kg
2	EB2000	2000	0/400V	110V	17.5 Kg
3	EC2000	2000	0/230V	110V	17.5 Kg
4	ED2000	2000	0/230V	24V	17.5 Kg
5	EE2000	2000	0/400V	24V	17.5 Kg



THIRD ANGLE PROJECTION



ORDER No.	
OUR REF.	
PROJECT.	
SCALE.	
DRAWN LEP	DATE
CHECKED	DATE
DRG.No.	REFERENCE DRAWINGS.

TITLE	OUTLINE OF TRANSFORMER
PROJECT	ELECTRO-WIND DESIGN No EA,EB,EC,ED & EE
CLIENT.	

DRG.No.	
REV.	A

Electro-Wind LTD.  
 West Avenue, Nelson Industrial Estate  
 Talke, Stoke-on-Trent ST7 1TR  
 TEL 01782 776321 FAX 01782 776422

A3